



Portable Sink Accessories
TPS1000-BS1

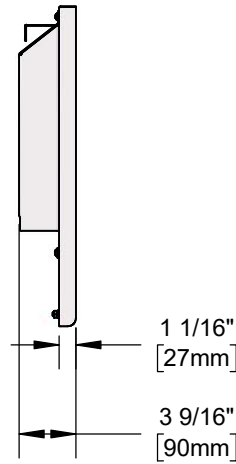
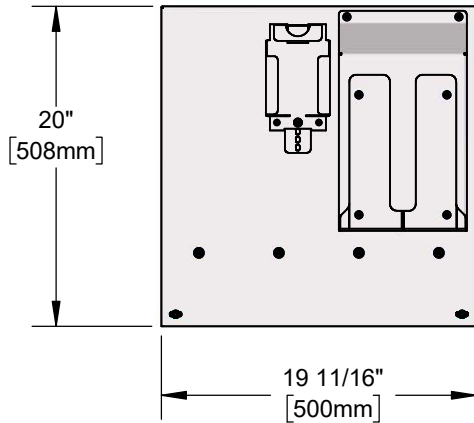
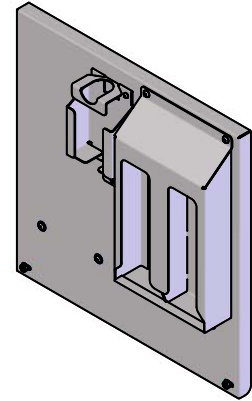
TAG:

Backsplash

Architect/Engineering Specifications:

Stainless steel backsplash with soap dispenser and paper towel holder.

Job Name _____
 Model Specified _____ Quantity _____
 Variations Specified _____
 Date _____



Features & Benefits:

- Stainless steel backsplash w/ soap dispenser & paper towel holder
- Bay holds 150 count (1-ply 3.7" x 10.1") paper towels
- Soap dispenser fits 3 7/8" wide x 2" deep x 5" to 8" tall soap bottle

Product Compliance:

- N/A

Warranty: One Year (Limited)

Performance Data:

- N/A



T&S BRASS AND BRONZE WORKS, INC.



• 2 Saddleback Cove • Travelers Rest, SC 29690
 Ph 800-476-4103 • Fax 864-834-3518
 • Simi Valley, CA • Ph 800-423-0150 • www.tsbrass.com

Date: 10/07/20