



T&S Brass and Bronze Works, Inc.
2 Saddleback Cove, P.O. Box 1088
Travelers Rest, SC 29690
TEL: (800) 476-4103
FAX: (800) 868-0084



B-0155 Add-on Faucet
(pre-retrofit).

How to Install a T&S Add-on Faucet on an Easy Install PRU.

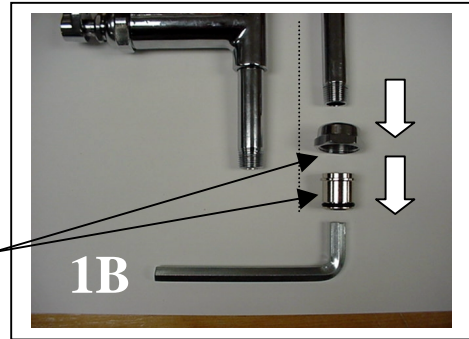
B-0155
B-0156
B-0157



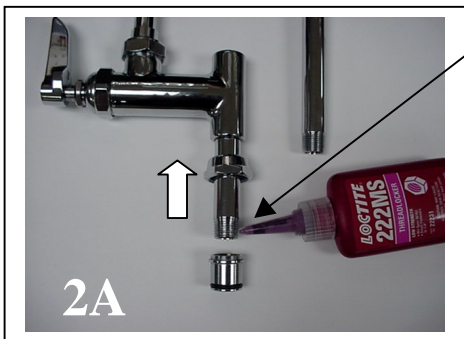
1A

Step 1A: Remove Riser from Base Faucet by unthreading Easy Install locking nut and pulling up until the riser “pops” out.

Step 1B: Using a 3/8” Allen Wrench, remove Easy Install Bushing & Locking Nut from riser.



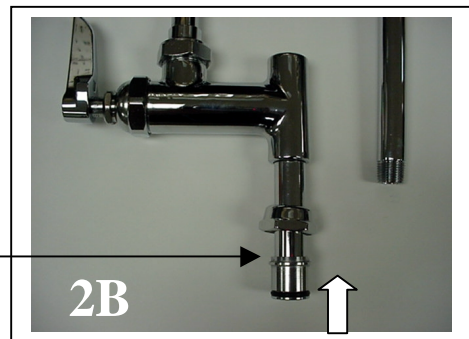
1B



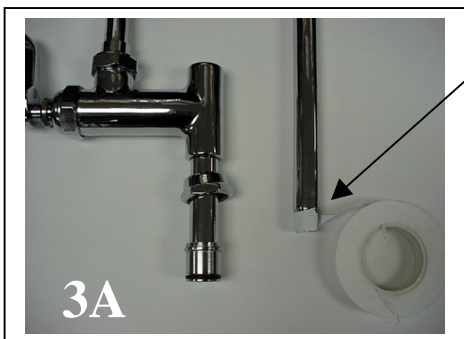
2A

Step 2A: Slide Easy Install Nut onto base of Add-on Faucet & Apply Loctite 222 (or other non-permanent thread lock compound) to Add-on faucet’s bottom threads.

Step 2B: Thread Easy Install bushing over base of Add-on faucet. Tighten with a 3/8” Allen wrench.



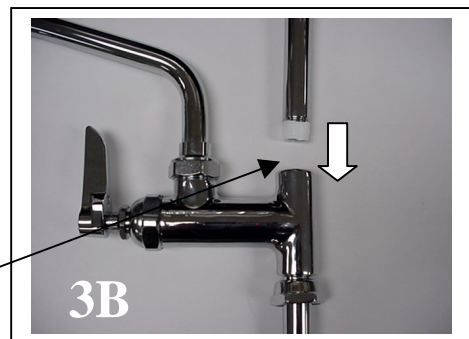
2B



3A

Step 3A: After cleaning with mild soap and water, apply plumber’s tape or putty to base threads of riser.

Step 3B: Thread bottom of riser into top female section of Add-on Faucet. Tighten.



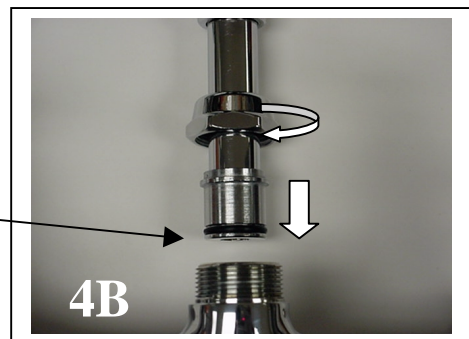
3B



4A

Step 4A: The Add-on Faucet & upper pre-rinse assembly are ready to be reconnected to the base faucet.

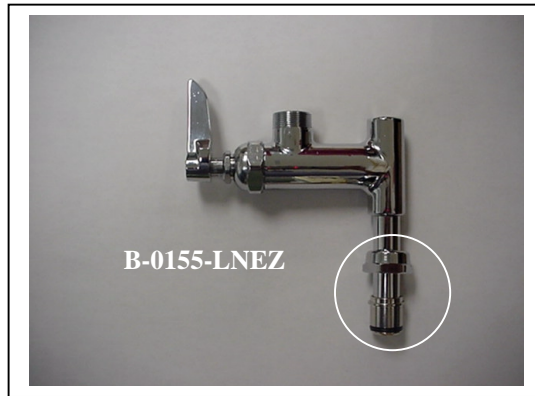
Step 4B: Press the bushing down into faucet body and tighten locking nut.



4B



T&S Brass and Bronze Works, Inc.
2 Saddleback Cove, P.O. Box 1088
Travelers Rest, SC 29690
TEL: (800) 476-4103
FAX: (800) 868-0084

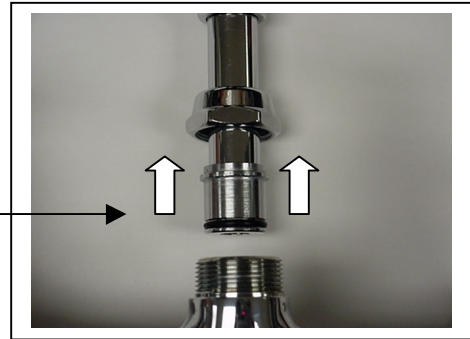


How to Install a T&S Easy Install Add-on Faucet on an Easy Install PRU.

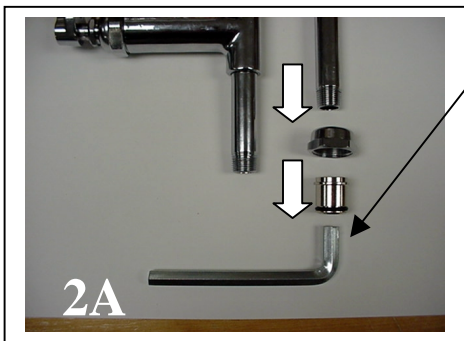
B-0155-LNEZ



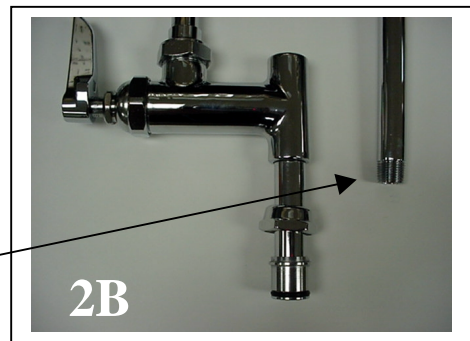
Step 1A: Loosen the Easy Install locking nut from the riser to base-faucet connection.



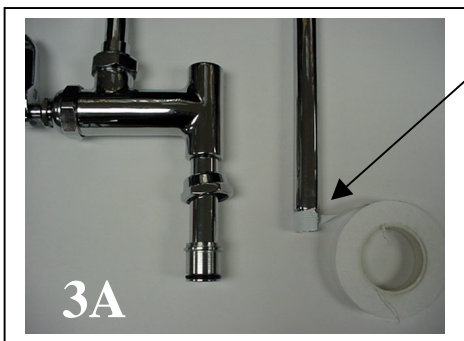
Step 1B: Remove the riser from the base faucet by pulling up on it.



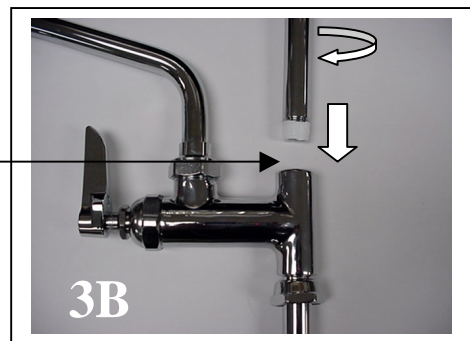
Step 2A: Using a 3/8" Allen wrench, remove the bushing and locking nut from riser. (Either keep as spare parts or discard.)



Step 2B: Clean Loctite residue from riser threads with soap and water. Your riser is now almost ready to be connected to the add-on faucet.



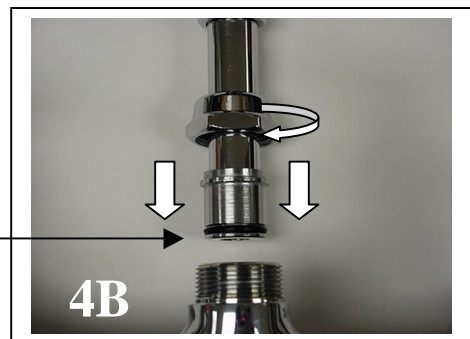
Step 3A: Apply plumber's tape or putty to base threads of riser.



Step 3B: Thread bottom of riser into top female section of Add-on Faucet. Tighten.



Step 4A: The Add-on Faucet & upper pre-rinse assembly are ready to be reconnected to the base faucet.



Step 4B: Press the bushing down into faucet body and tighten locking nut.