

VALUE. PERFORMANCE. QUALITY.



AFFORDABLE EXCELLENCE. TRANSCENDING EXPECTATIONS.

**VALPRO PRODUCTS**

[WWW.VALPROREFRIGERATION.COM](http://WWW.VALPROREFRIGERATION.COM)

# Reach-In Solid Door

## Bottom Mount Compressor - Refrigerators & Freezers



**VP19R-HC / VP19F-HC**  
**REFRIGERATOR / FREEZER**



**VP1R-HC / VP1F-HC**  
**REFRIGERATOR / FREEZER**

### Features

- Durable Stainless Steel exterior, and interior cabinet
- Bottom mount compressor installed on slide out rack
- Electronic thermostat digitally controlled temperature system, with LED display
- Auto defrost
- Self closing doors, remain open past 90°
- Top mount door locks
- 3 adjustable shelves per section (per door)
- Snap-in magnetic door gaskets
- LED interior cabinet lights
- Recessed door handles
- Automatic condensate evaporation system
- Door integrated heating element eliminates any condensation
- Uniform temperature with larger efficient ECM fan motors and fan blades for superior air flow with faster recovery time
- 2.4" foamed in-place CFC free polyurethane insulation
- Standard 4" heavy duty caster, front locking shipped installed
- UL Energy Verified efficiency and tested to NSF Standard 7



**Valpro Warranty\* 2 Year Parts & Labor, 5 Year Compressor\***

### Dimensional Data

Model	Exterior Dimensions (Inches)	Interior Dimensions (Inches)	Net Storage Capacity	Net Weight	Crated Weight	Shipping Dimensions (Inches)
VP1R-HC	26.8"Wx32.7"Dx82.3"H	22.2"Wx27.6"Dx50.2"H	23 cu. ft.	305 lbs.	329 lbs.	29.9"Wx34.1"Dx84.6"H
VP19R-HC	26.8"Wx25.6Dx82.3"H	22.2"Wx20.5"Dx50.2"H	19 cu. ft.	220 lbs.	291 lbs.	29.9"Wx27"x84.6"H
VP1F-HC	26.8"Wx32.7"Dx82.3"H	22.2"Wx27.6"Dx50.2"H	23 cu. ft.	305 lbs.	329 lbs.	29.9"Wx34.1"Dx84.6"H
VP19F-HC	26.8"Wx25.6Dx82.3"H	22.2"Wx20.5"Dx50.2"H	19 cu. ft.	225 lbs.	295 lbs.	29.9"Wx27"x84.6"H

\*Due to periodic changes in design and regulations the specifications in these sheets are subject to change without notice. Please visit our website or contact your sales representative for more detailed specification information.

### Technical Data

Model	Doors	Shelves	Lighting Interior	Temp. Range	Refrigerant	H/P	Voltage	(kWh/day) Energy consumption	Plug Type NEMA
VP1R-HC	1	3	LED	33°F-41°F	R-290	1/5	115V/60Hz/1	0.97	5-15P
VP19R-HC	1	3	LED	33°F-41°F	R-290	1/5	115V/60Hz/1	0.80	5-15P
VP1F-HC	1	3	LED	-10°F to +10°F	R-290	1/2	115V/60Hz/1	4.27	5-15P
VP19F-HC	1	3	LED	-10°F to +10°F	R-290	1/2	115V/60Hz/1	3.53	5-15P

# Reach-In Solid Door

## Bottom Mount Compressor - Refrigerators & Freezers



**VP2R-HC / VP2F-HC**  
**REFRIGERATOR / FREEZER**



**VP3R-HC / VP3FDV**  
**REFRIGERATOR / FREEZER**

### Features

- Durable Stainless Steel exterior, and interior cabinet
- Bottom mount compressor installed on slide out rack
- Electronic thermostat digitally controlled temperature system, with LED display
- Auto defrost
- Self closing doors, remain open past 90°
- Top mount door locks
- 3 adjustable shelves per section (per door)
- Snap-in magnetic door gaskets
- LED interior cabinet lights
- Recessed door handles
- Automatic condensate evaporation system
- Door integrated heating element eliminates any condensation
- Uniform temperature with larger efficient ECM fan motors and fan blades for superior air flow with faster recovery time
- 2.4" foamed in-place CFC free polyurethane insulation
- Standard 4" heavy duty caster, front locking shipped installed
- UL Energy Verified efficiency and tested to NSF Standard 7



**Valpro Warranty\* 2 Year Parts & Labor, 5 Year Compressor\***

### Dimensional Data

Model	Exterior Dimensions (Inches)	Interior Dimensions (Inches)	Net Storage Capacity	Net Weight	Crated Weight	Shipping Dimensions (Inches)
VP2R-HC	53.9"Wx32.7"Dx82.3"H	49.4"Wx27.6"Dx50.2"H	49 cu. ft.	457 lbs.	490 lbs.	55.3"Wx34.1"Dx84.6"H
VP3R-HC	81"Wx32.7"Dx82.3"H	76.3"Wx27.6"Dx50.2"H	72 cu. ft.	536 lbs.	598 lbs.	83.7"Wx34.1"Dx84.6"H
VP2F-HC	53.9"Wx32.7"Dx82.3"H	49.4"Wx27.6"Dx50.2"H	49 cu. ft.	476 lbs.	566 lbs.	55.3"Wx34.1"Dx84.6"H
VP3FDV	81"Wx32.7"Dx82.3"H	76.3"Wx27.6"Dx50.2"H	72 cu. ft.	563 lbs.	624 lbs.	83.7"Wx34.1"Dx84.6"H

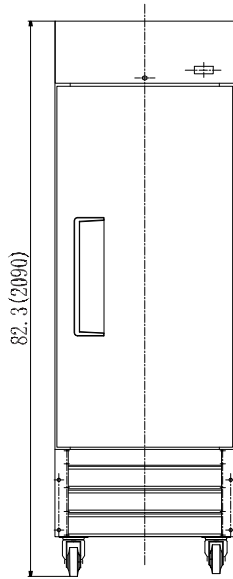
\*Due to periodic changes in design and regulations the specifications in these sheets are subject to change without notice. Please visit our website or contact your sales representative for more detailed specification information.

### Technical Data

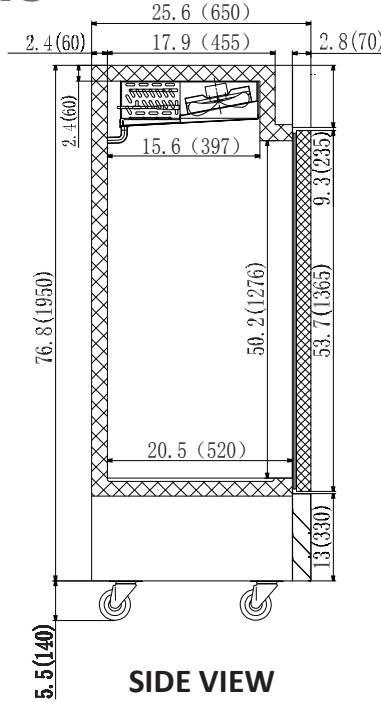
Model	Doors	Shelves	Lighting Interior	Temp. Range	Refrigerant	H/P	Voltage	(kWh/day) Energy consumption	Plug Type NEMA
VP2R-HC	2	6	LED	33°F-41°F	R-290	1/4	115V/60Hz/1	2.08	5-15P
VP3R-HC	3	9	LED	33°F-41°F	R-290	1/2	115V/60Hz/1	5.85	5-15P
VP2F-HC	2	6	LED	-10°F to +10°F	R-290	1	115V/60Hz/1	8.03	5-15P
VP3FDV	3	9	LED	-10°F to +10°F	R-404A	1-1/2	115-230V/60Hz/1	10.5	L14-20P

### Apperance Figure

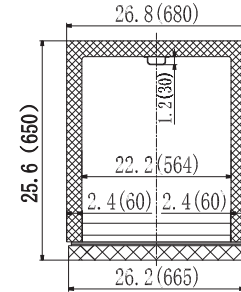
#### ◆ VP19R-HC / VP19F-HC



FRONT VIEW

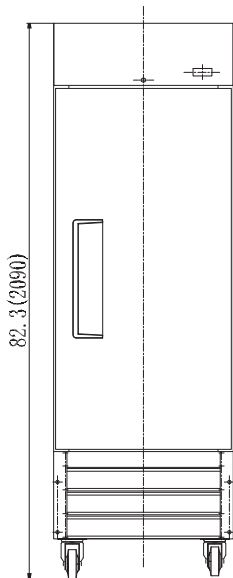


SIDE VIEW

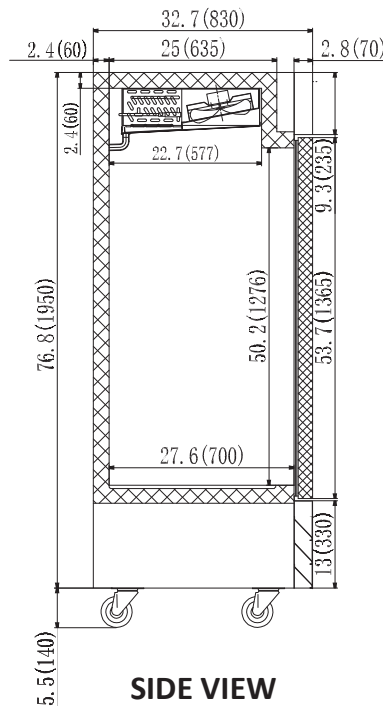


PLAN VIEW

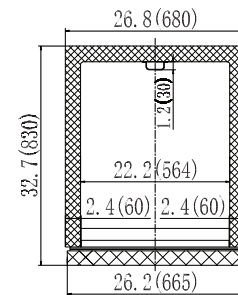
#### ◆ VP1R-HC / VP1F-HC



FRONT VIEW



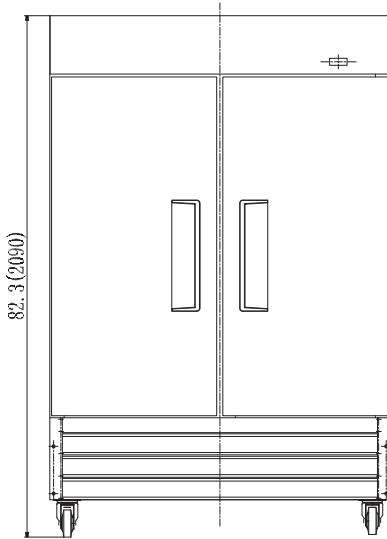
SIDE VIEW



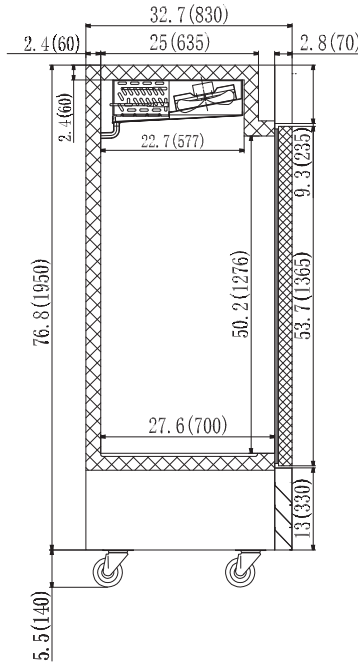
PLAN VIEW

### Apperance Figure

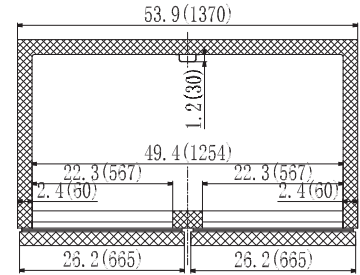
#### ◆ VP2R-HC / VP2F-HC



FRONT VIEW

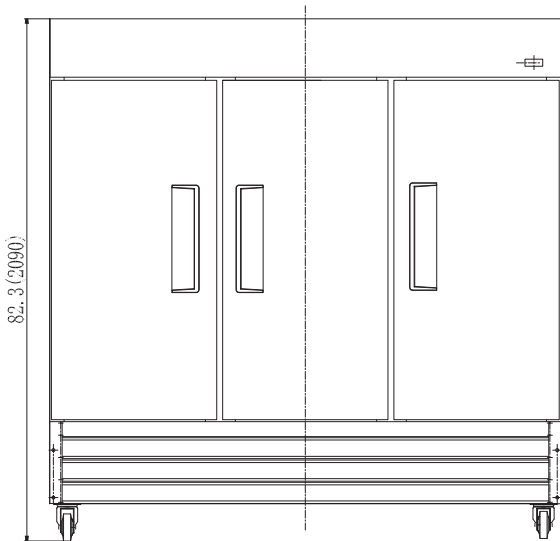


SIDE VIEW

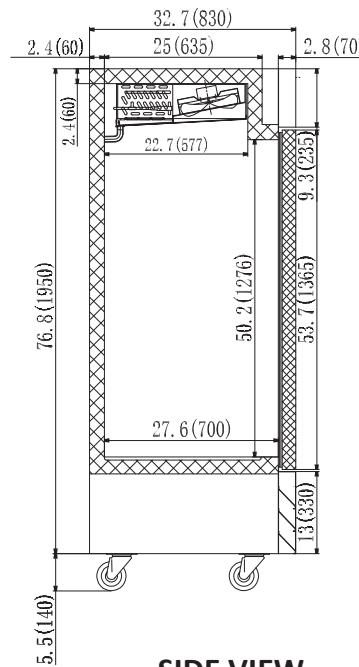


PLAN VIEW

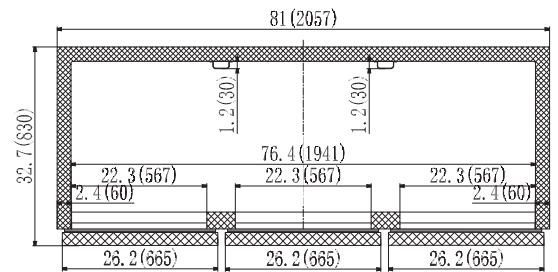
#### ◆ VP3R-HC / VP3FDV



FRONT VIEW



SIDE VIEW



PLAN VIEW

# Glass Door Merchandiser

## Swing & Slide Door - Refrigerators & Freezers



**VP1R-23HC / VP1F-23HC**  
**REFRIGERATOR / FREEZER**



**VP2R-48HC / VP2F-48HC / VP2F-48FDVHC**  
**REFRIGERATOR / FREEZER / FREEZER**



**VP2R-48LHC**  
**REFRIGERATOR**



**Valpro Warranty\* 2 Year Parts & Labor, 5 Year Compressor\***

### Features

- Electronic Thermostat, Digital LED Display
- Triple pane glass doors
- Self-Closing lockable doors
- 4 Adjustable shelves per section (door)
- Bright LED back-lit front panel, full door length internal LED lighting
- Snap-in magnetic door gaskets removable and replaceable without tools
- Powder coated steel exterior and interior,
- Stainless steel interior bottom
- Four 1" wheels with front leg levelers
- CFC free insulation
- Removable bottom grill slide-out condensing unit for easy maintenance
- UL Energy verified, tested to NSF Standard 7

### Dimensional Data

Model	Exterior Dimensions (Inches)	Interior Dimensions (Inches)	Net Storage Capacity	Net Weight	Crated Weight	Shipping Dimensions (Inches)
VP1R-23-HC	26.8"Wx31.9"Dx79.5"H	23"Wx30"Dx55.5"H	23 cu. ft.	282 lbs.	330 lbs.	28.3"Wx34.8"Dx84.6"H
VP2R-48-HC	54"Wx31.9"Dx79.5"H	50.2"Wx30"Dx55.5"H	48 cu. ft.	448 lbs.	540 lbs.	55.5"Wx34.8"Dx84.6"H
VP2R-48L-HC	54"Wx30.7"D"x79.5"H	50.2"Wx26.9"Dx54.5"H	48 cu. ft.	448 lbs.	540 lbs.	55.5"Wx31.9"Dx84.6"H
VP1F-23-HC	26.8"Wx31.9"D"x79.5"H	23"Wx30"Dx55.5"H	23 cu. ft.	302 lbs.	352 lbs.	28.3"Wx34.8"Dx84.6"H
VP2F-48-HC	54"Wx31.9Dx79.5"H	50.2"Wx30"Dx55.5"H	48 cu. ft.	476 lbs.	566 lbs.	55.5"Wx34.8"Dx84.6"H
VP2F-48FDVHC	54"Wx31.9Dx79.5"H	50.2"Wx30"Dx55.5"H	48 cu. ft.	476 lbs.	566 lbs.	55.5"Wx34.8"Dx84.6"H

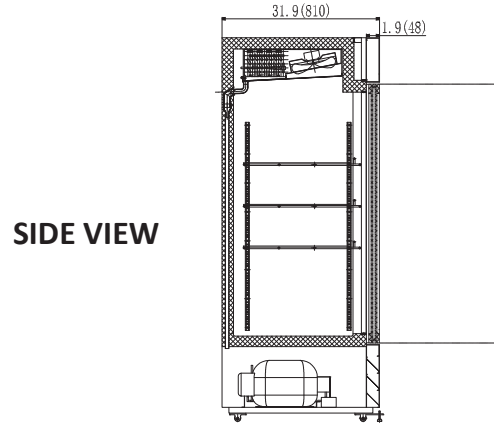
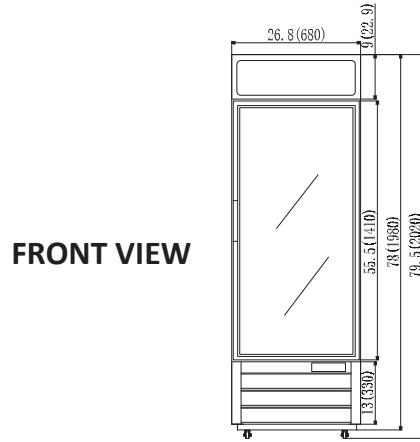
### Technical Data

\*Due to periodic changes in design and regulations the specifications in these sheets are subject to change without notice. Please visit our website or contact your sales representative for more detailed specification information.

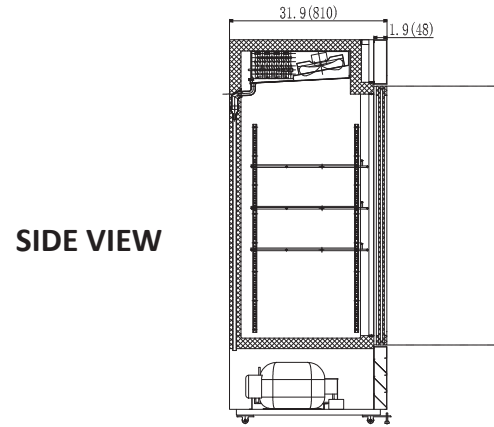
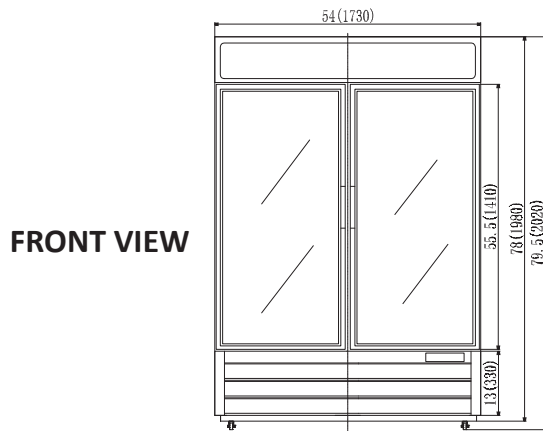
Model	Doors	Shelves	Lighting Interior	Temp. Range	Refrigerant	H/P	Voltage	(kWh/day) Energy consumption	Plug Type NEMA
VP1R-23-HC	1	4	LED	33°F-41°F	R-290	1/5	115V/60Hz/1	1.83	5-15P
VP2R-48-HC	2	8	LED	33°F-41°F	R-290	1/4	115V/60Hz/1	3.2	5-15P
VP2R-48L-HC	2	8	LED	33°F-41°F	R-290	1/4	115V/60Hz/1	4.49	5-15P
VP1F-23-HC	1	4	LED	-10°F to +10°F	R-290	1/2	115V/60Hz/1	5.56	5-15P
VP2F-48-HC	2	8	LED	-10°F to +10°F	R-290	1	115V/60Hz/1	13.03	5-15P
VP2F-48FDVHC	2	8	LED	-10°F to +10°F	R-290	1	115-230V/60Hz/1	13.55	L14-20P

### Apperance Figure

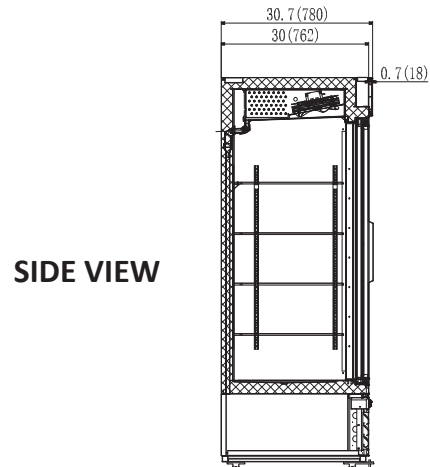
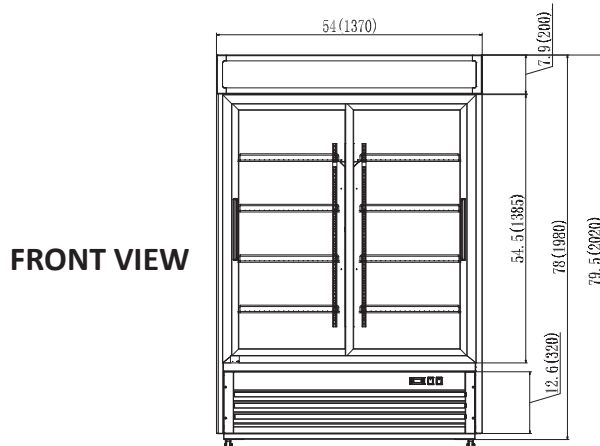
#### ◆ VP1R-23HC / VP1F-23HC



#### ◆ VP2R-48HC / VP2F-48HC / VP2F-48FDVHC



#### ◆ VP2R-48LHC



**VPUCR27 / VPUCF27  
REFRIGERATOR / FREEZER**



**VPUCR48 / VPUCF48  
REFRIGERATOR / FREEZER**



**VPUCR60 / VPUCF60  
REFRIGERATOR / FREEZER**



## Features

- Electronic thermostat digitally controlled maintains optimum temperature with LED display
- AISI 304 Stainless Steel framework construction
- Heavy duty worktop
- Eco-friendly hydrocarbon refrigerants R600A, R290
- Door integrated heating element eliminates any condensation
- Self closing doors with remain open feature past 90°
- Recessed door handles
- Magnetic door gaskets requires no tools for cleaning or replacement
- 4 casters, front braking
- UL Energy verified, tested to NSF Standard 7



## Dimensional Data

**Valpro Warranty\* 2 Year Parts & Labor, 5 Year Compressor\***

Model	Exterior Dimensions (Inches)	Interior Dimensions (Inches)	Net Storage Capacity	Net Weight	Crated Weight	Shipping Dimensions (Inches)
VPUCR27	27.8"Wx29.9"Dx35.5"H	23"Wx24.9"Dx24.2"H	6.5 cu. ft.	181 lbs.	199 lbs.	29.3"Wx31.5"Dx38.1"H
VPUCR48	48.2"Wx29.9"Dx35.5"H	43.5"Wx24.9"Dx24.2"H	12 cu. ft.	256 lbs.	280 lbs.	49.8"Wx31.5"D.1x38.1"H
VPUCR60	61.2"Wx29.9D"x35.5"H	56.5"Wx24.9"Dx24.2"H	15.5 cu. ft.	305 lbs.	331 lbs.	62.8"Wx31.5"Dx38.1"H
VPUCF27	27.8"Wx29.9"Dx35.5"H	23"Wx24.9"Dx24.2"H	6.5 cu. ft.	192 lbs.	210 lbs.	29.3"Wx31.5"Dx38.1"H
VPUCF48	48.2"Wx29.9"Dx35.5"H	43.5"Wx24.9"Dx24.2"H	12 cu. ft.	278 lbs.	302 lbs.	49.8"Wx31.5"D.1x38.1"H
VPUCF60	61.2"Wx29.9D"x35.5"H	56.5"Wx24.9"Dx24.2"H	15.5 cu. ft.	327 lbs.	353 lbs.	62.8"Wx31.5"Dx38.1"H

\*Due to periodic changes in design and regulations the specifications in these sheets are subject to change without notice.

\*Interior dimensions do not include space occupied by bottom back shelf. Please consult spec sheet drawings available on our website

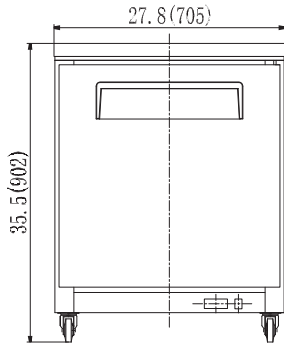
## Technical Data

Model	Doors	Shelves (1/Door)	Temp. Range	Refrigerant	H/P	Voltage	Amps	(kWh/day) Energy consumption	Plug Type NEMA
VPUCR27	1	1	33°F-41°F	R600A	3/8	115V/60Hz/1	1.5	0.77	5-15P
VPUCR48	2	2	33°F-41°F	R600A	3/8	115V/60Hz/1	3	0.917	5-15P
VPUCR60	2	2	33°F-41°F	R600A	3/8	115V/60Hz/1	3	1.085	5-15P
VPUCF27	1	1	-10°F to +10°F	R290	1/2	115V/60Hz/1	1.9	2.41	5-15P
VPUCF48	2	2	-10°F to +10°F	R290	1/2	115V/60Hz/1	4	2.9	5-15P
VPUCF60	2	2	-10°F to +10°F	R290	1/2	115-230V/60Hz/1	5	3.3	5-15P

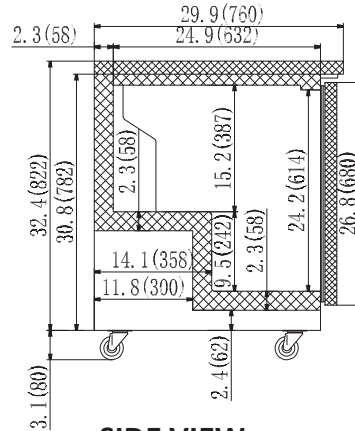


## Apperance Figure

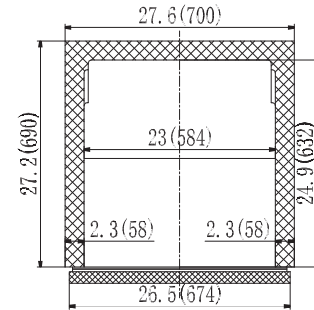
### ◆ VPUCR27 / VPUCF27



FRONT VIEW

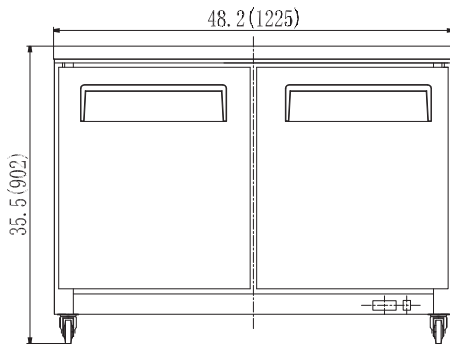


SIDE VIEW

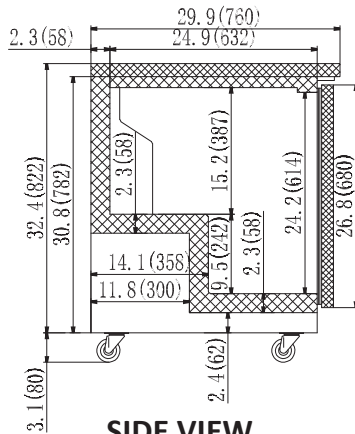


PLAN VIEW

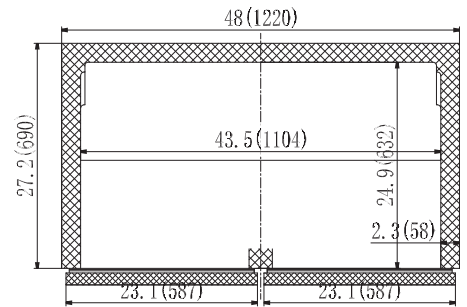
### ◆ VPUCR48 / VPUCF48



FRONT VIEW

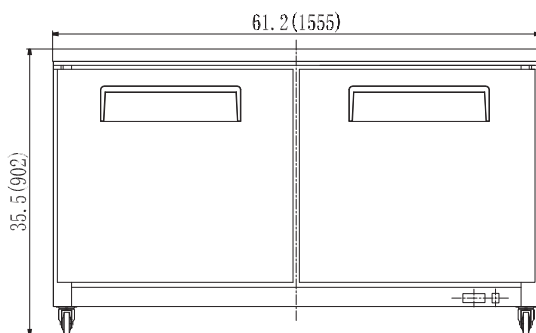


SIDE VIEW

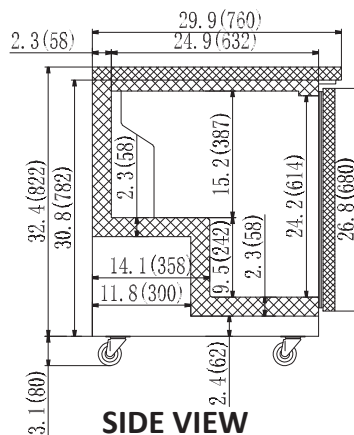


PLAN VIEW

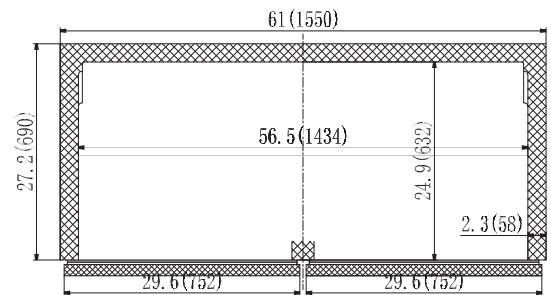
### ◆ VPUCR60 / VPUCF60



FRONT VIEW



SIDE VIEW



PLAN VIEW

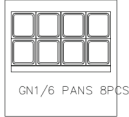


# Sandwich, Salad, & Pizza Prep Refrigerators

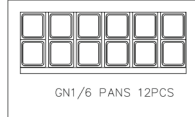
## Standard Top & Mega Top Models



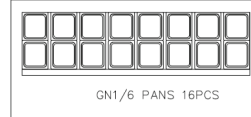
**VP29S-HC**



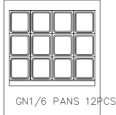
**VP48S-HC**



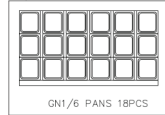
**VP60S-HC**



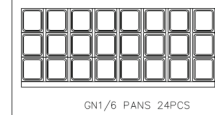
**VP29SM-HC**



**VP48SM-HC**



**VP60SM-HC**



### Sandwich Prep Features

- Electronic Thermostat, Digital LED Display
- Efficient forced air refrigeration system
- Durable stainless steel exterior, (top, hood, front and sides), AISI 304 stainless steel frame work construction
- Insulated hood locks into open position
- Interior stainless steel covered corner floor at base of unit and below pans with white interior ABS lined walls
- Clear polycarbonate NSF pans and cutting board included
- Snap-in magnetic door gaskets removable and replaceable without tools
- Self closing doors with remain open feature past 90°, recessed door handles
- Pre-installed casters and adjustable shelving
- UL Energy verified, tested to NSF Standard 7

### Dimensional Data

**Valpro Warranty\* 2 Year Parts & Labor, 5 Year Compressor\***

Model	Exterior Dimensions (Inches)	Interior Dimensions (Inches)	Net Storage Capacity	Net Weight	Crated Weight	Shipping Dimensions (Inches)
VP29S-HC	28.9"Wx29.9"Dx43.2"H	25.6"Wx25.6"Dx24.5"H	7 cu. ft.	210 lbs.	225 lbs.	30.5"Wx31.5"Dx45.9"H
VP48S-HC	48.2"Wx29.9"Dx43.2"H	43.5"Wx24.9"Dx24.5"H	12 cu. ft.	305 lbs.	322 lbs.	49.8"Wx31.5"Dx45.9"H
VP60S-HC	61.2"Wx29.9"Dx43.2"H	56.5"Wx24.9"Dx24.2"H	16 cu. ft.	351 lbs.	373 lbs.	62.8"Wx31.5"Dx45.9"H
VP29SM-HC	28.9"Wx34.5"Dx43.2"H	25.6"Wx25.6"Dx24.5"H	7 cu. ft.	210 lbs.	225 lbs.	30.5"Wx34.3"Dx45.9"H
VP48SM-HC	48.25"Wx34.5Dx43.2"H	43.5"Wx24.9"Dx24.2"H	12 cu. ft.	305 lbs.	322 lbs.	49.8"Wx34.3"Dx45.9"H
VP60SM-HC	61.25"Wx34.5Dx43.2"H	56.5"Wx24.9"Dx24.2"H	16 cu. ft.	351 lbs.	373 lbs.	62.8"Wx34.3"Dx45.9"H

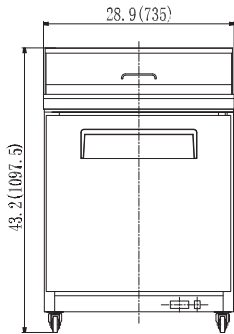
### Technical Data

\*Due to periodic changes in design and regulations the specifications in these sheets are subject to change without notice.  
\*Interior dimensions do not include space occupied by bottom back shelf. Please consult spec sheet drawings available on our website

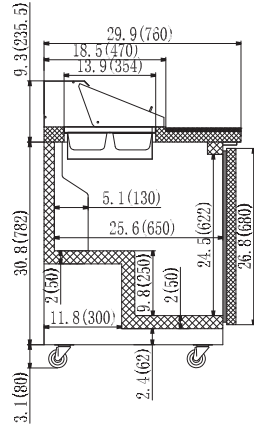
Model	Doors	Shelves Adjustable	Cutting Board Depth	Pan Capacity	Temp. Range	Refrigerant	H/P	Voltage	Amps	Plug Type NEMA
VP29S-HC	1	1	11.5"	(8) 1/6GN	33°F-41°F	R-290	1/3	115V/60Hz/1	5	5-15P
VP48S-HC	2	2 (1/door)	11.5"	(12) 1/6GN	33°F-41°F	R-290	1/2	115V/60Hz/1	7	5-15P
VP60S-HC	2	2 (1/door)	11.5"	(16) 1/6GN	33°F-41°F	R-290	1/2	115V/60Hz/1	7.5	5-15P
VP29SM-HC	1	1	9"	(12) 1/6GN	33°F-41°F	R-290	1/3	115V/60Hz/1	5	5-15P
VP48SM-HC	2	2 (1/door)	9"	(18) 1/6GN	33°F-41°F	R-290	1/2	115V/60Hz/1	7	5-15P
VP60SM-HC	2	2 (1/door)	9"	(24) 1/6GN	33°F-41°F	R-290	1/2	115V/60Hz/1	7.5	5-15P

### Apperance Figure

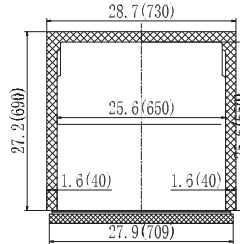
#### ◆ VP29S-HC



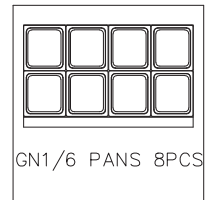
FRONT VIEW



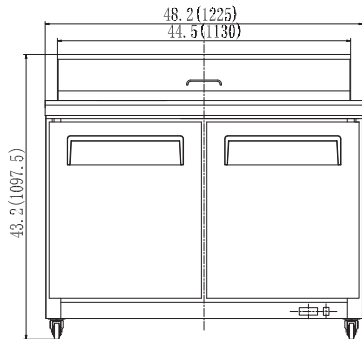
SIDE VIEW



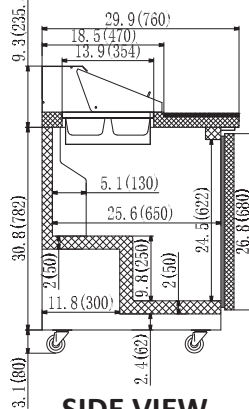
PLAN VIEW



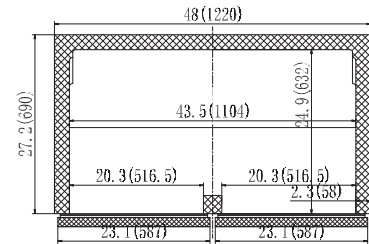
#### ◆ VP48S-HC



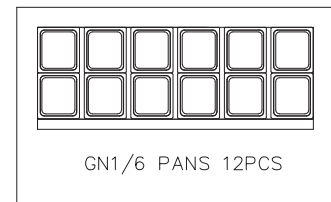
FRONT VIEW



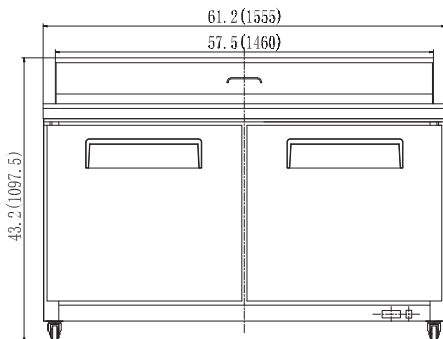
SIDE VIEW



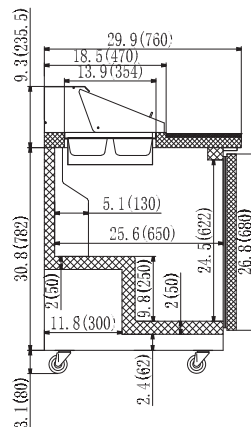
PLAN VIEW



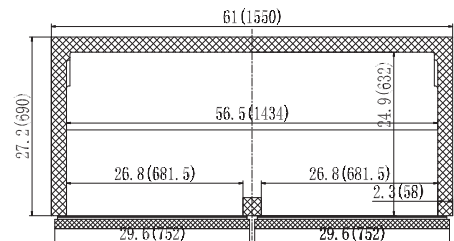
#### ◆ VP60S-HC



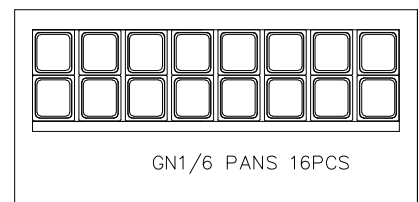
FRONT VIEW



SIDE VIEW

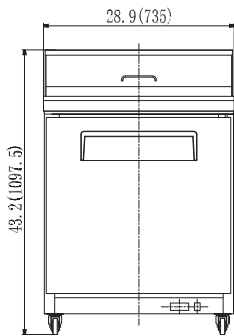


PLAN VIEW

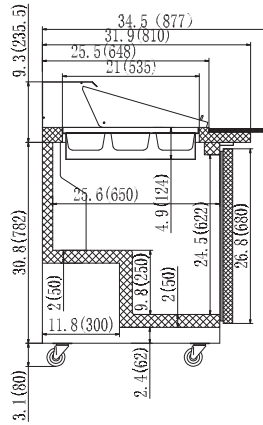


### Apperance Figure

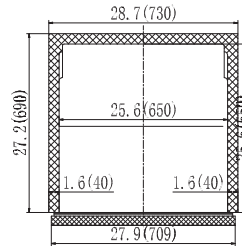
#### ◆ VP29SM-HC



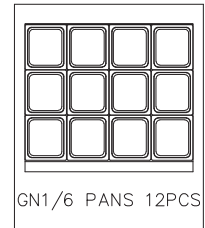
FRONT VIEW



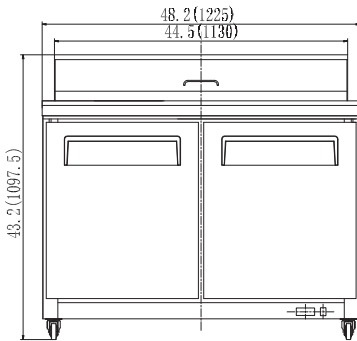
SIDE VIEW



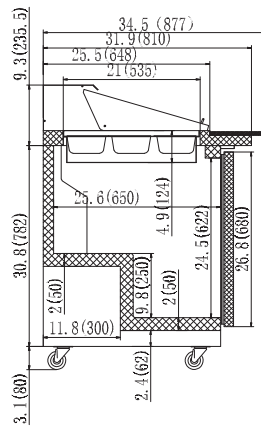
PLAN VIEW



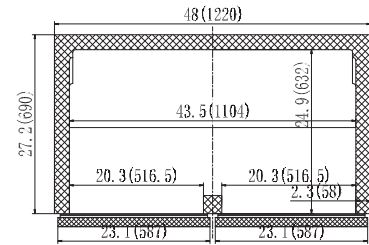
#### ◆ VP48SM-HC



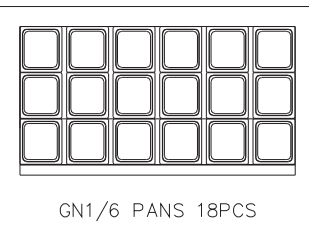
FRONT VIEW



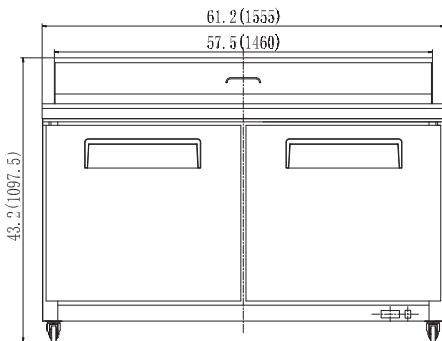
SIDE VIEW



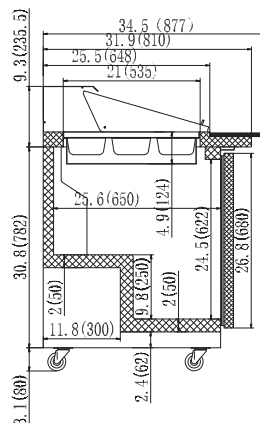
PLAN VIEW



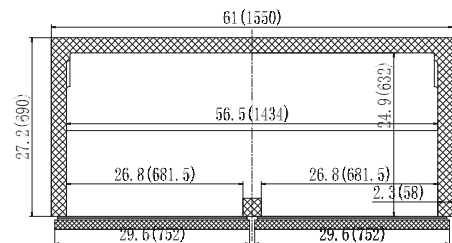
#### ◆ VP60SM-HC



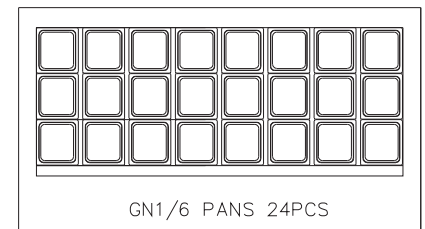
FRONT VIEW



SIDE VIEW



PLAN VIEW





# Sandwich, Salad, & Pizza Prep Refrigerators

(Pizza Prep 48" One Door - 71" Two Door) (72" Prep Table - Standard & Mega Top)

## Pizza Prep Features

- Electronic Thermostat, Digital LED Display
- Efficient forced air refrigeration system
- Durable stainless steel exterior, (top, hood, front and sides)
- Insulated hoods locks into open position
- Interior stainless steel coved corner floor at base of unit and below pans with white aluminum walls
- Clear polycarbonate NSF pans (size 1/3 GN) and cutting board included
- Snap-in magnetic door gaskets removable and replaceable without tools
- Self closing doors with remain open feature past 90°
- Recessed door handles
- Pre-installed casters (front braking) and adjustable shelving, one shelf per section (1/ door)



**VP72S-HC**



**VP72SM-HC**



**VPP44-HC**



**VPP67-HC**



**VPP93-HC**



**Valpro Warranty\* 2 Year Parts & Labor, 5 Year Compressor\***

## Dimensional Data

Model	Exterior Dimensions (Inches)	Interior Dimensions (Inches)	Net Storage Capacity	Net Weight	Crated Weight	Shipping Dimensions (Inches)
VP72S-HC	71.7"Wx29.9"Dx43.2"H	66.9"Wx25.6"Dx26.4"H	18 cu. ft.	381 lbs.	431 lbs.	71.3"Wx31.5"Dx45.9"H
VP72SM-HC	71.7"Wx34.5"Dx43.2"H	66.9"Wx25.6"Dx26.4"H	18 cu. ft.	386 lbs.	435 lbs.	71.3"Wx34.3"Dx45.9"H
VPP44-HC	47.5"Wx32.3"Dx41.7"H	25.7"Wx27.3"Dx24.5"H	12 cu. ft.	309 lbs.	329 lbs.	49.6"Wx33.9"Dx44.5"H
VPP67-HC	70.8"Wx32.3"Dx41.7"H	49.1"Wx27.3"Dx24.2"H	22 cu. ft.	408 lbs.	435 lbs.	73"Wx33.9"Dx44.5"H
VPP93-HC	94.2"Wx32.3"Dx41.7"H	72.6"Wx27.3"Dx24.2"H	32 cu. ft.	534 lbs.	565 lbs.	96.5"Wx33.9"Dx44.5"H

\*Due to periodic changes in design and regulations the specifications in these sheets are subject to change without notice.

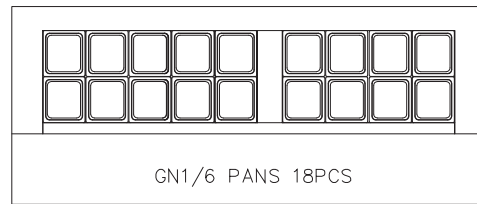
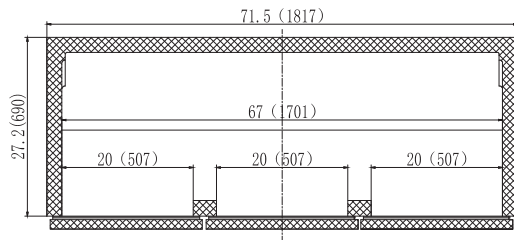
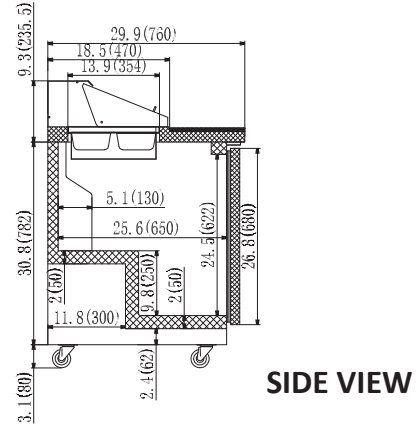
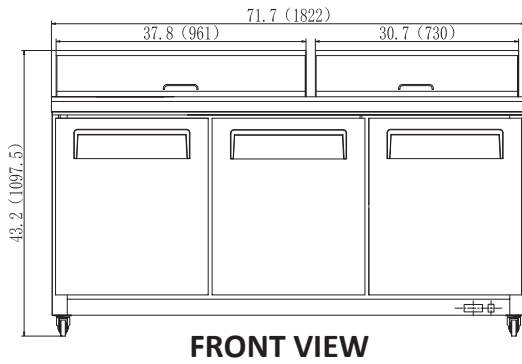
## Technical Data

\*Interior dimensions for VP72S and VP72SM do not include space occupied by bottom back shelf. Please consult spec sheet drawings available on our website.

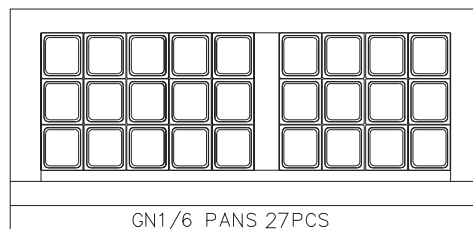
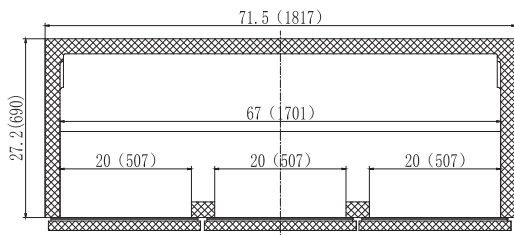
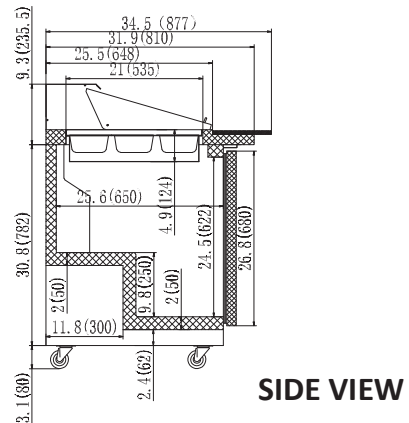
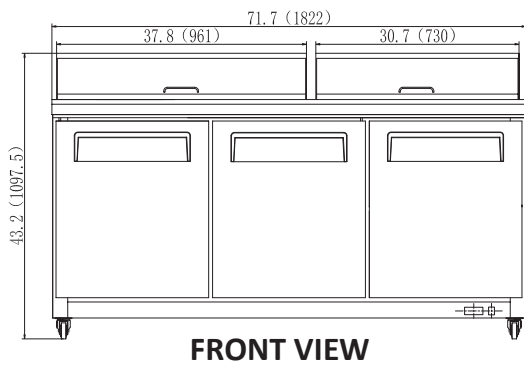
Model	Doors	Shelves Adjustable	Cutting Board Depth	Pan Capacity	Temp. Range	Refrigerant	H/P	Voltage	Amps	Plug Type NEMA
VP72S-HC	3	3 (1/door)	11.4"	(18) 1/6GN	33°F-41°F	R-290	1/2	115V/60Hz/1	7	5-15P
VP72SM-HC	3	3 (1/door)	9"	(27) 1/6GN	33°F-41°F	R-290	1/2	115V/60Hz/1	7	5-15P
VPP44-HC	1	1	17.75"	(6) 1/3GN	33°F-41°F	R-290	1/2	115V/60Hz/1	7	5-15P
VPP67-HC	2	2 (1/door)	17.75"	(9) 1/3GN	33°F-41°F	R-290	1/2	115V/60Hz/1	7.5	5-15P
VPP93-HC	3	3 (1/door)	17.75"	(12) 1/3GN	33°F-41°F	R-290	3/4	115V/60Hz/1	9	5-15P

### Apperance Figure

#### ◆ VP72S-HC

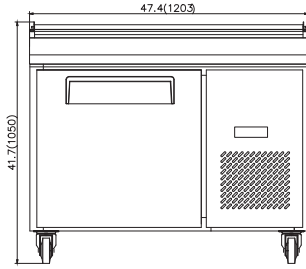


#### ◆ VP72SM-HC

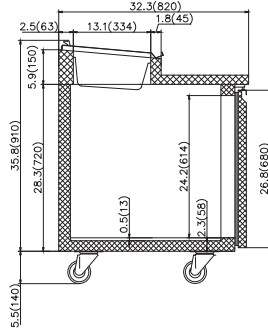


### Apperance Figure

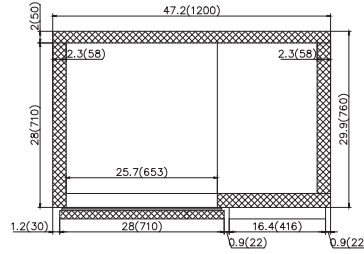
#### ◆ VPP44-HC



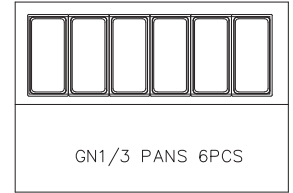
FRONT VIEW



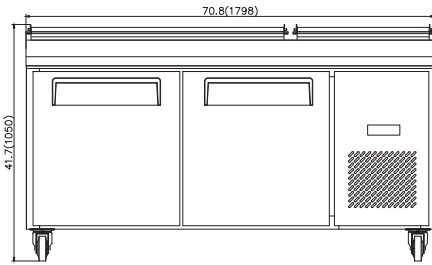
SIDE VIEW



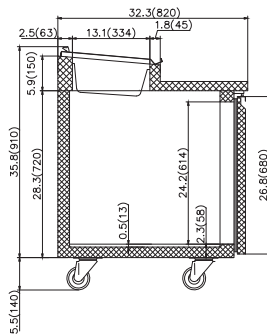
PLAN VIEW



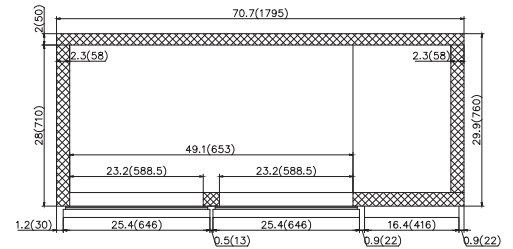
#### ◆ VPP67-HC



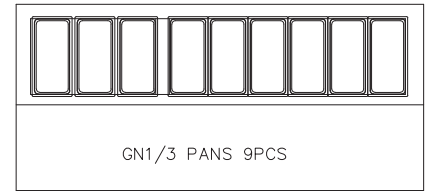
FRONT VIEW



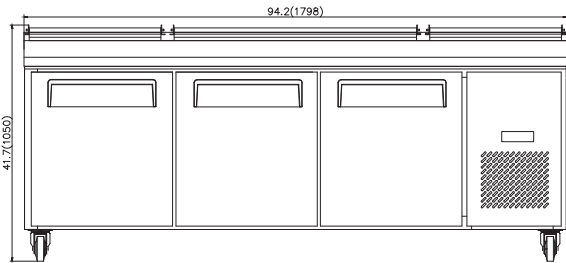
SIDE VIEW



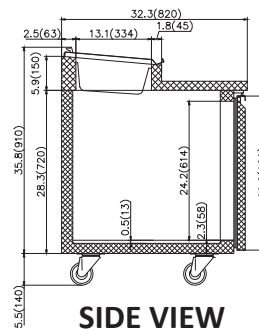
PLAN VIEW



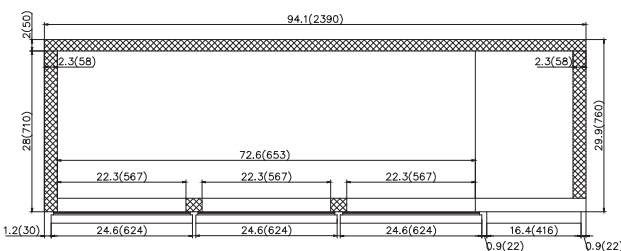
#### ◆ VPP93-HC



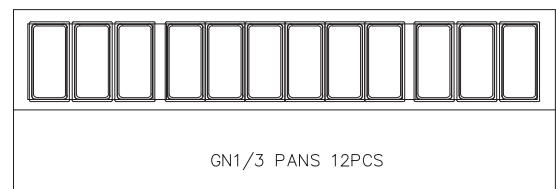
FRONT VIEW



SIDE VIEW



PLAN VIEW



# Horizontal Bottle Coolers (50" 65") Glass Door Back Bar Coolers (49" 61" 73")



**VPB50**



**VPB65**



**VP48G**



**VP60G**



**VP72G**

### Features

- Digital thermostat with LED display
- LED interior lighting
- Eco-friendly hydrocarbon R600A & R290 refrigerants
- 4 casters standard for easy maneuverability
- Fast forced air cooling
- Black corrosion resistant steel exterior, Stainless steel interior
- UL Energy verified, tested to NSF Standard 7

### Bottle Coolers

- Bottle cap opener with cap catcher
- Stainless steel countertop with integrated glass stops
- Stainless steel easy glide lids with locks for each lid
- Adjustable dividers included

### Back Bar Coolers

- Stainless steel top
- Self closing doors
- Vacuum-insulated double pane low E-glass doors
- Magnetic door gaskets requires no tools for cleaning or replacement
- Door locks
- Epoxy coated shelves supported by pilasters for easy adjustability



### Dimensional Data

Valpro Warranty\* 2 Year Parts & Labor, 5 Year Compressor\*

Model	Exterior Dimensions (Inches)	Interior Dimensions (Inches)	Net Storage Capacity	Net Weight	Crated Weight	Shipping Dimensions (Inches)
VPB50	49.4"Wx27"Dx35"H	45.3"Wx23"Dx17.1"H	14 cu. ft.	216 lbs.	247 lbs.	51.2"Wx29.1"Dx41.3"H
VPB65	64.3"Wx27"Dx35"H	60.2"Wx23"Dx17.1"H	19 cu. ft.	240 lbs.	286 lbs.	66.9"Wx29.1"D.1x41.3"H
VP48G	49.1"Wx24.4"Dx42.3"H	37.2"Wx21.6"Dx33.5"H	10.5 cu. ft.	252 lbs.	307 lbs.	50.6"Wx26"Dx44.1"H
VP60G	61.1"Wx24.4"Dx42.3"H	49.2"Wx21.6"Dx33.5"H	14 cu. ft.	286 lbs.	357 lbs.	62.6"Wx26"Dx44.1"H
VP72G	73.1"Wx24.4"Dx42.3"H	60.6"Wx21.6"Dx33.5"H	17 cu. ft.	331 lbs.	417 lbs.	74.7"Wx26"D.1x44.1"H

### Technical Data

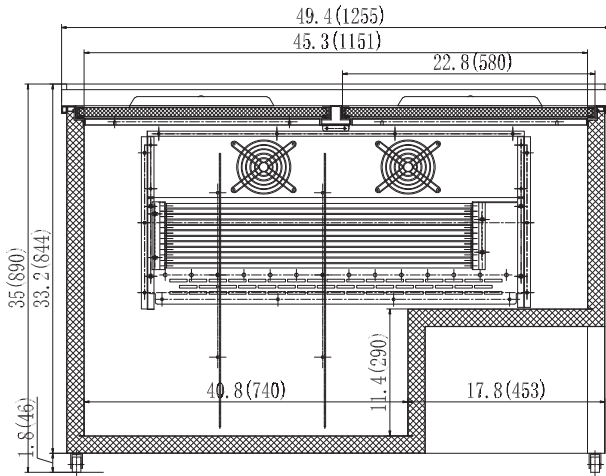
\*Due to periodic changes in design and regulations the specifications in these sheets are subject to change without notice. Please visit our website or contact your sales representative for more detailed specification information.

Model	Doors	Shelves Dividers*	Temp. Range	Refrigerant	H/P	Voltage	Amps	(kWh/day) Energy consumption	Plug Type NEMA
VPB50	2 LID	2*	33°F-41°F	R600A	1/2	115V/60Hz/1	3	1.088	5-15P
VPB65	2 LID	3*	33°F-41°F	R600A	1/2	115V/60Hz/1	3	1.733	5-15P
VP48G	2	4	33°F-41°F	R290	2/5	115V/60Hz/1	3	1.685	5-15P
VP60G	2	4	33°F-41°F	R290	2/5	115V/60Hz/1	3	1.875	5-15P
VP72G	3	6	33°F-41°F	R290	1/2	115V/60Hz/1	3	1.986	5-15P

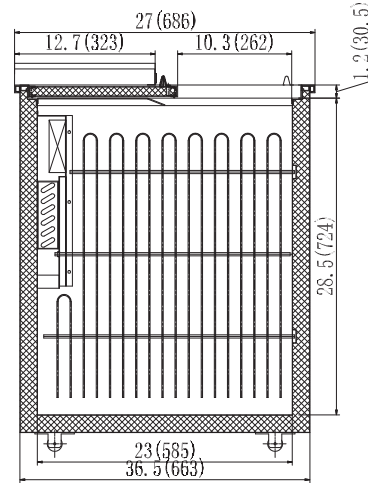


## Apperance Figure

### ◆ VPB50

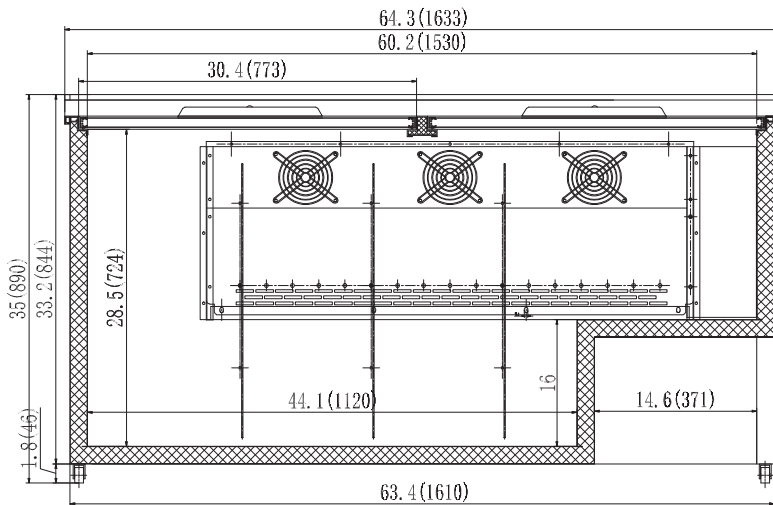


FRONT VIEW

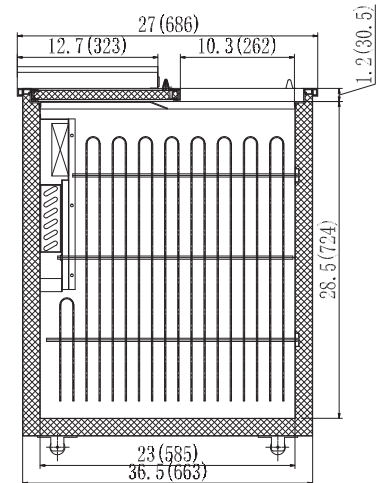


SIDE VIEW

### ◆ VPB65



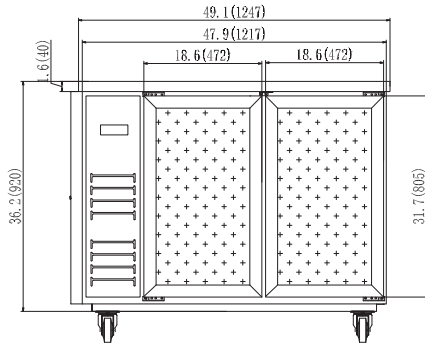
FRONT VIEW



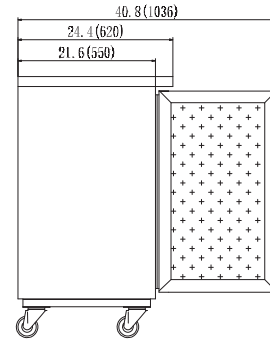
SIDE VIEW

## Apperance Figure

### ◆ VP48G

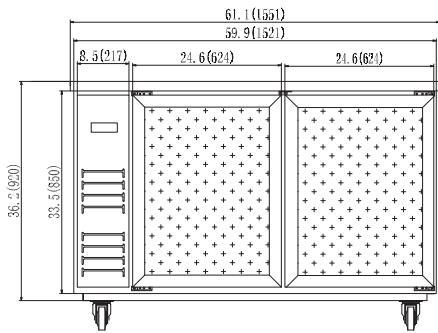


FRONT VIEW

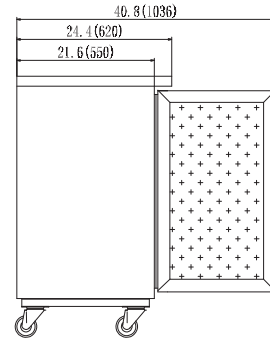


SIDE VIEW

### ◆ VP60G

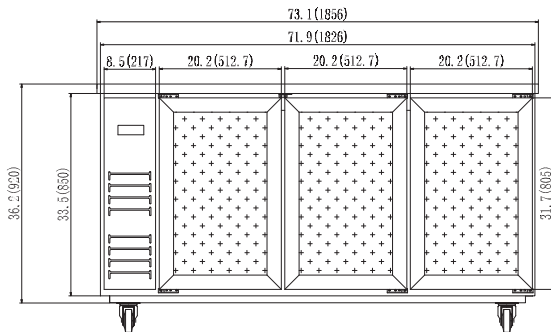


FRONT VIEW

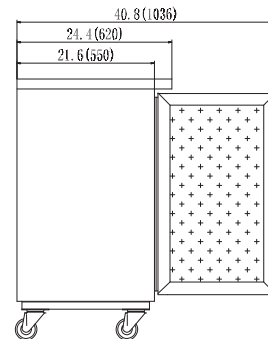


SIDE VIEW

### ◆ VP72G



FRONT VIEW



SIDE VIEW

# Direct Draw Beer Dispensers (24" 49" 73") 1, 2 & 3 Door Kegerator Units



**VPBD1**



**VPBD2-1**



**VPBD3-1**



**VPBD2-2**



**VPBD3-2**



**VPBD4-2**

**Features:**

- Stainless steel counter top with integrated drip tray drain
- Full stainless steel interior
- Black powder coated steel exterior
- Cold air channeled and insulated 3" diameter beer columns
- Designed to hold a variety of beer kegs
- LED cabinet lighting (except VPBD1)
- Self closing doors with key locks
- Snap-in magnetic door gaskets
- Standard 4" casters pre-installed
- CFC free refrigerant and foam
- Electronic thermostat & digital display
- Forced air side mount evaporator system

**Dimensional Data**

Model	Exterior Dimensions (In.)	1/2 Barrels	Capacity	Crated Lbs.	Shipping Dimensions (In.)
VPBD1	24.1"W x 29.9"D x 33.9"H	1	7.2 cu. ft.	161 lbs.	26.2"W x 34.6"D x 43.7"H
VPBD2-1	49.1"W x 24.4"D x 36.2"H	2	10.45 cu. ft.	264 lbs.	50.6"W x 26.7"D x 44.5"H
VPBD3-1	61.1"W x 24.4"D x 36.2"H	2	14.16 cu. ft.	302 lbs.	62.6"W x 26.7"D x 44.5"H
VPBD2-2	49.1"W x 24.4"D x 36.2"H	2	10.45 cu. ft.	267 lbs.	50.6"W x 26.7"D x 44.5"H
VPBD3-2	61.1"W x 24.4"D x 36.2"H	2	14.16 cu. ft.	304 lbs.	62.6"W x 26.7"D x 44.5"H
VPBD4-2	73.1"W x 24.4"D x 36.2"H	3	17.26 cu. ft.	351 lbs.	74.6"W x 26.7"D x 44.5"H

**Valpro Warranty\***  
**2 Year Parts & Labor**  
**5 Year Compressor\***

Certified to ANSI/NSF 7



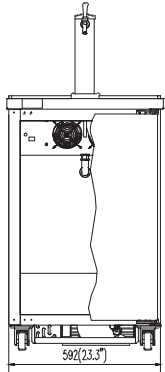
**Technical Data**

\*Due to periodic changes in design and regulations the specifications in these sheets are subject to change without notice. Please visit our website or contact your sales representative for more detailed specification information.

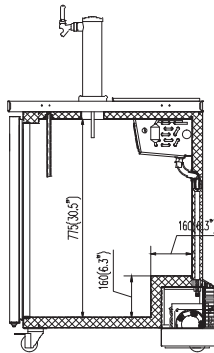
Model	Doors	Faucets	Columns	Controller	Temp. Range	Refrigerant	H/P	Voltage	Amps	Plug Type
VPBD1	1	1	1	Digital	33°F-41°F	R600A	1/8	115V/60Hz/1	2.2	5-15P
VPBD2-1	2	2 (2/Tower)	1	Digital	33°F-41°F	R290	2/5	115V/60Hz/1	3	5-15P
VPBD3-1	2	2 (2/Tower)	1	Digital	33°F-41°F	R290	2/5	115V/60Hz/1	3	5-15P
VPBD2-2	2	2	2	Digital	33°F-41°F	R290	2/5	115V/60Hz/1	3	5-15P
VPBD3-2	2	2	2	Digital	33°F-41°F	R290	2/5	115V/60Hz/1	3	5-15P
VPBD4-2	3	4 (2/Tower)	2	Digital	33°F-41°F	R290	1/2	115V/60Hz/1	3	5-15P

## Appearance Figure

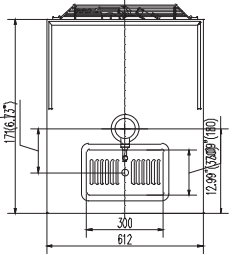
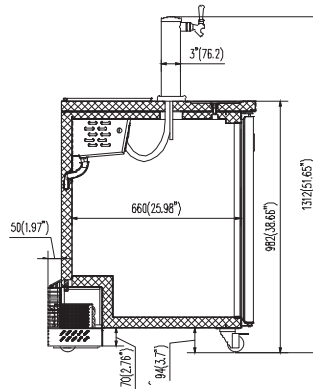
### ◆ VPBD1



FRONT VIEW

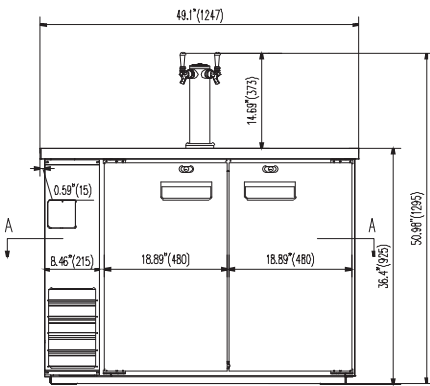


SIDE VIEW

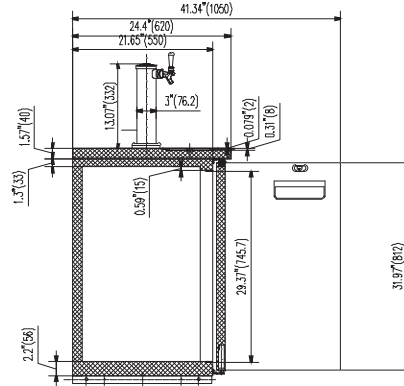


PLAN VIEW

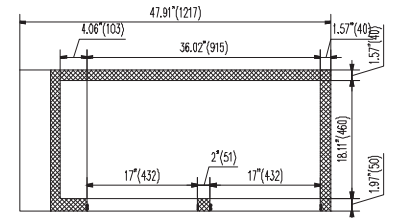
### ◆ VPBD2-1



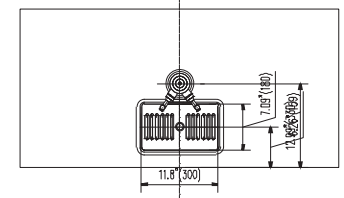
FRONT VIEW



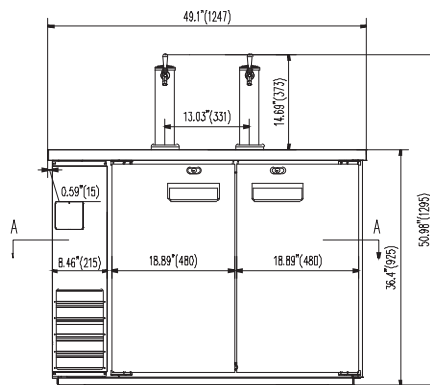
SIDE VIEW



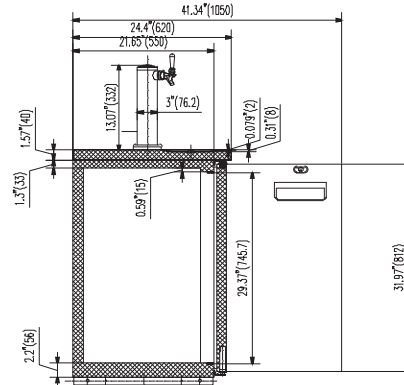
PLAN VIEW



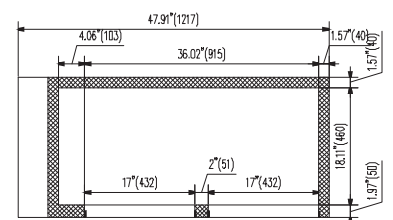
### ◆ VPBD2-2



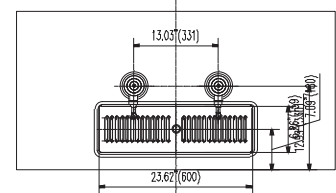
FRONT VIEW



SIDE VIEW

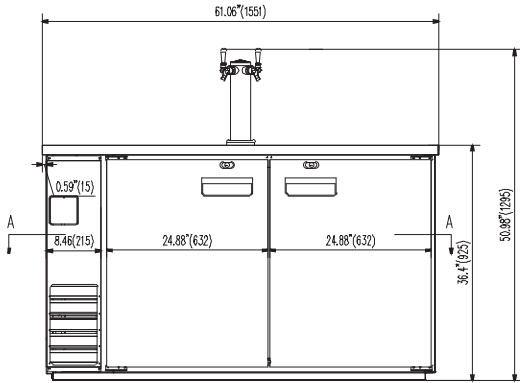


PLAN VIEW

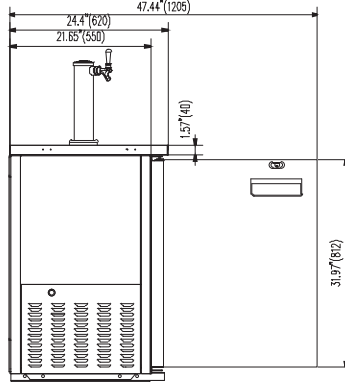


## Apperance Figure

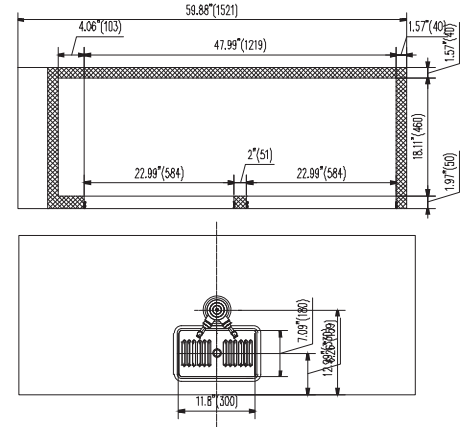
### ◆ VPBD3-1



FRONT VIEW

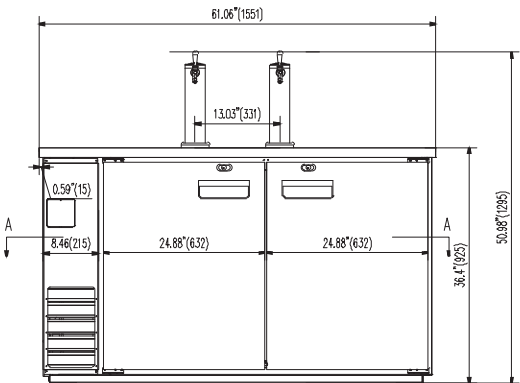


SIDE VIEW

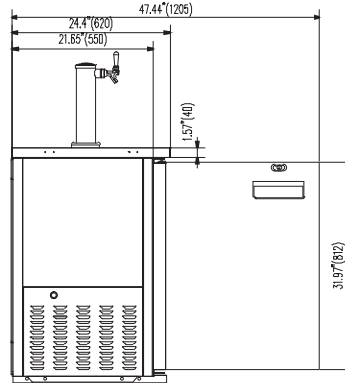


PLAN VIEW

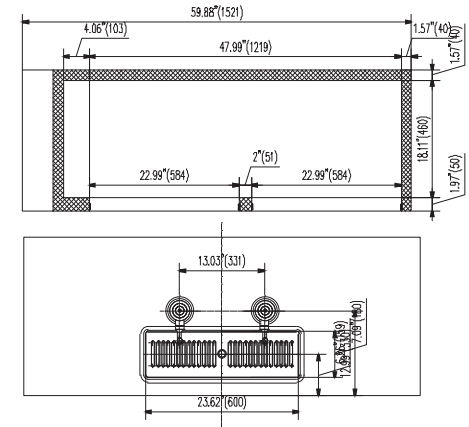
### ◆ VPBD3-2



FRONT VIEW

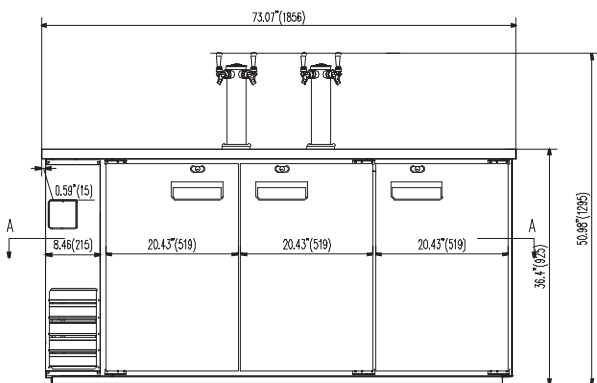


SIDE VIEW

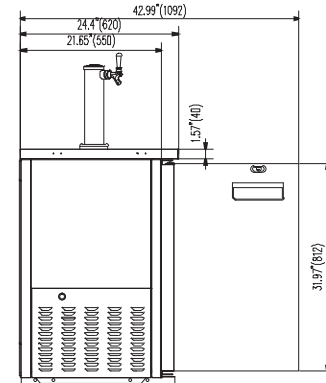


PLAN VIEW

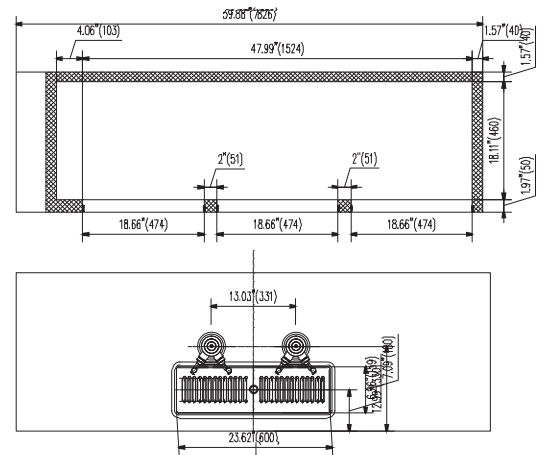
### ◆ VPBD4-2



FRONT VIEW



SIDE VIEW



PLAN VIEW

# VALPRO LIMITED ORIGINAL COMMERCIAL EQUIPMENT WARRANTY, TERMS & CONDITIONS

## TWO-YEAR PARTS & LABOR LIMITED WARRANTY

VALPRO warrants to the original purchaser of every new VALPRO unit, the cabinet and all parts thereof, to be free from defects in material or workmanship, under normal and proper use and maintenance service as specified by VALPRO, and upon proper installation (indoor only) and start-up in accordance with the instruction manuals supplied with the product. Regardless of actual installation date, the warranty start date shall not exceed twenty-four (24) months from shipment date from VALPRO. Any part covered under this warranty that is determined by VALPRO to have been defective within two (2) years after shipment date is limited to the repair or replacement, including labor charges, of defective parts or assemblies. Warranty is limited to one (1) year for food truck installations, and vehicle must be brought to service company for repair. VALPRO reserves the right to examine any product claimed to be defective, and deny payment for repair of said product deemed not defective. The labor warranty shall include standard straight time labor charges only and travel charges within 100 miles roundtrip. Any service requested outside of a servicer's normal working hours will be covered under this warranty at the normal service rate. Warranty does not cover standard wear parts which include door gaskets. Warranty also does not cover issues caused by improper installation, abnormal use, damage by third parties, alterations or lack of basic preventative maintenance which includes regular cleaning of condenser coils and filters. Warranty service is limited to the continental United States.

## FIVE-YEAR COMPRESSOR REPLACEMENT LIMITED WARRANTY

In addition to the two (2) year warranty stated above, Valpro Commercial Refrigeration (Allied Manufacturing, Inc.) warrants its compressor to be free from defects in both material and workmanship under normal and proper use and maintenance service for a period of three (3) additional years or (5) years from the shipment date.

The three (3) year extended compressor warranty covers the compressor part only, and does not include any other parts, components and excludes labor charges involved with the replacement of the compressor. The purchaser will have the sole responsibility and bear all expenses including removing and reinstalling the replacement compressor. This extended compressor warranty shall apply only within the continental United States.

## 134A/404A/HYDROCARBON COMPRESSOR LIMITED WARRANTY

The compressor warranty detailed above will be voided if the following procedure is not adhered to:

1. The system contains different refrigerant other than manufacturers' original refrigerant and polyolester lubricant. The polyolester lubricant has rapid moisture absorbing qualities. If long exposure to ambient conditions occurs, the lubricant must be removed and replaced with new lubricant. Failure to comply with the recommended lubricant specification will void the compressor warranty.
2. Drier replacement is important and must be changed when a system is opened for servicing. The new drier must also meet the same specifications as the drier being replaced.
3. Micron level vacuums must be achieved to insure low moisture levels in the system.

## WHAT IS NOT COVERED BY THIS WARRANTY

Valpro Commercial Refrigeration's sole obligation under this warranty is limited to either repair or replacement of parts, subject to the additional limitations below. This warranty neither assumes nor authorizes any person to assume obligations other than those expressly covered by this warranty.

- I. **COMMERCIAL USE ONLY WARRANTY:** Valpro assumes no liability for parts or labor coverage for any circumstance for units installed in non-commercial or residential applications. All Valpro units are designed for commercial use, not residential use.
- II. **INDIRECT OR CONSEQUENTIAL DAMAGE:** Valpro is not responsible for economic loss, profit loss or special, indirect or consequential damages, including without limitation, losses or damages arising from food or product spoilage claims, whether or not, they were caused by refrigeration failure.
- III. **IMPROPER USAGE:** Valpro is not responsible for parts or labor coverage for component failure and or other damages resulting from improper usage, installation or failure to clean and/or maintain the unit as set forth in the user's manual provided with this unit.
- IV. **WARRANTY IS NOT TRANSFERABLE**
- V. **RELOCATION OF UNIT FOR REPAIR:** Valpro is not responsible for the cost to move the unit for any reason from its position of operation on the customer's premises to make a warranty repair.
- VI. **ALTERATION, NEGLIGENCE, MISUSE, ABUSE, ACCIDENT, DAMAGE DURING TRANSIT OR INSTALLATION, FIRE, FLOOD, ACTS OF GOD.** Valpro is not responsible for malfunctions due to alteration, neglect misuse, abuse, accident, damage during transit or installation, fire, flood, storm, and/or other acts of God. Valpro is not responsible for any improper electrical connections resulting from electrical power failure, use of extension cords, and low voltage drops to the unit.

**Claims:** All claims for parts or labor must be made directly through Valpro Commercial Refrigeration (Allied Manufacturing, Inc.). All claims need include: product model number, product serial number, proof of purchase with purchase date, and all pertinent information supporting the alleged defect. For warranty eligible compressor replacement the compressor tag must be returned to Valpro Commercial Refrigeration (Allied Manufacturing, Inc.) accompanied by the above listed necessary information. Any return authorizations shall be on the basis of transportation charges prepaid. A Valpro provided authorization number is required before the return of any parts or equipment.

IN NO EVENT SHALL VALPRO COMMERCIAL REFRIGERATION (ALLIED MANUFACTURING, INC.) BE LIABLE FOR CONSEQUENTIAL, SPECIAL OR PUNITIVE DAMAGES. THE REMEDIES OF THE PURCHASER SET FORTH HERIN ARE EXCLUSIVE AND THE TOTAL LIABILITY OF VALPRO COMMERCIAL REFRIGERATION, WHETHER BASED ON CONTRACT, WARRANTY, NEGLIGENCE, INDEMNIFICATION, STRICT LIABILITY, TORT OR OTHERWISE SHALL NOT EXCEED THE PURCHASE PRICE OF THE COMPONENT UPON WHICH LIABILITY IS BASED. VALPRO COMMERCIAL REFRIGERATION SHALL HAVE NO OBLIGATION OR LIABILITY FOR CONSEQUENTIAL OR SPECIAL DAMAGES, INCLUDING BUT NOT LIMITED TO INDIRECT, PUNITIVE DAMAGES, LOSS OF USE, LOSS OF PRODUCT, DOWNTIME OR LOST PROFITS, ARISING OUT OR, RELATED TO OR CONNECTED IN ANY WAY WITH THE PRODUCT OR ITS USE.



## VALPRO CORPORATE HEADQUARTERS



**5256 Eagle Trail Drive  
Tampa, Florida 33634**



**1-888-VALPRO-8  
(813) 502-0300**



**[www.ValproRefrigeration.com](http://www.ValproRefrigeration.com)  
[Sales@ValproMail.com](mailto:Sales@ValproMail.com)**