



**John
BOOS**
Since 1887

ITEM #: _____ QTY: _____

MODEL #: _____

PROJECT NAME: _____

040921

3601 S. Banker St. Effingham, IL 62401 • Ph: (888) 431-2667 • Fax: (800) 433-2667

"UBDB-21" UNDERBAR DRAINBOARDS



21" WIDTH

STANDARD FEATURES:

- ALL 18 GAUGE STAINLESS STEEL CONSTRUCTION
- TYPE 300 STAINLESS STEEL WITH #4 POLISH, SATIN FINISH
- STANDARD PRE-DRILLED HOLES ON SIDES FOR ATTACHING ADJACENT UNITS TOGETHER
- CREASED DECK FOR IMPROVED DRAINAGE
- REMOVABLE PERFORATED DRAINBOARD INSERT FOR INCREASED AIR CIRCULATION.
- STANDARD FRONT INSERTS FOR SPEED RAIL ATTACHMENT
- STAINLESS STEEL FRONT TO BACK BRACING



SPECIFICATIONS:

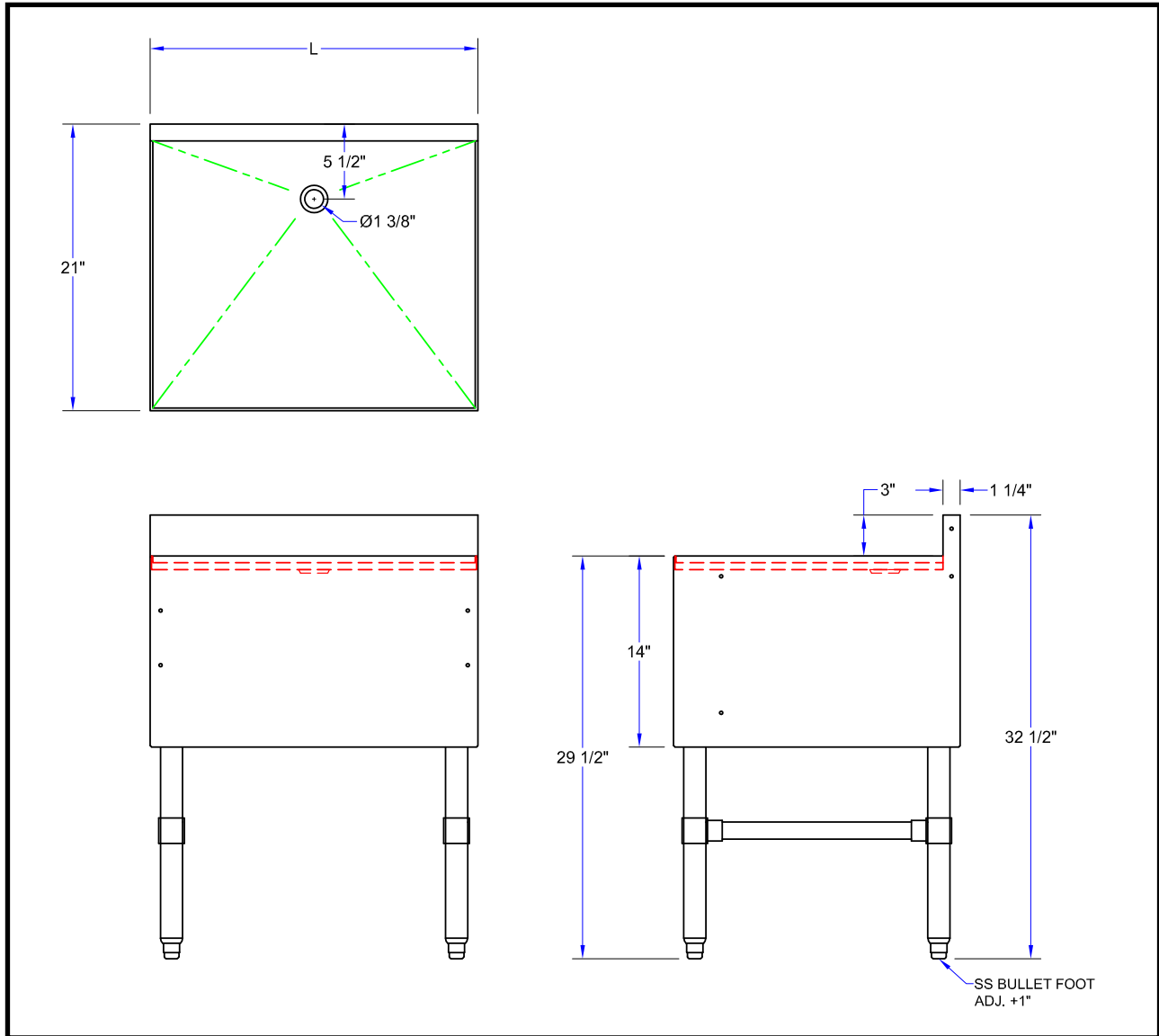
- MATERIALS
 - TOP: 18 GAUGE TYPE 300 STAINLESS STEEL
 - FRONT APRON: 18 GAUGE TYPE 300 STAINLESS STEEL
 - BACKSPLASH: 18 GAUGE TYPE 300 STAINLESS STEEL
 - SIDES: 18 GAUGE TYPE 300 STAINLESS STEEL
- LEGS AND BRACING
 - BOLT ON 1-5/8" STAINLESS STEEL LEGS FOR FAST INSTALLATION
 - 1-1/4" FRONT TO BACK BRACING
 - 1" ADJUSTABLE STAINLESS STEEL BULLET FEET
- MOUNTING OPTIONS
 - Z-CLIP TO MOUNT TO WALL
 - BOLT TO ADJACENT UNDERBAR PIECE
 - MOUNTING OPTIONS ALLOW FOR FLEXIBLE INSTALLATION OPTIONS TO REMOVE BACK OR FRONT AND BACK LEGS FOR A CLEAN INSTALLATION
- PLUMBING
 - 1-3/8" DRAIN
 - 1" MPT 1-1/2" LONG DRAIN CONNECTION
- NSF CERTIFIED

ACCESSORIES	DESCRIPTION
UBSS-21-L	LEFT HAND SIDE SPLASH
UBSS-21-R	RIGHT HAND SIDE SPLASH
EUBSR-24	24" SINGLE SPEED RAIL
EUBSR-30	30" SINGLE SPEED RAIL
EUBSR-36	36" SINGLE SPEED RAIL
EUBSR-2-24	24" DOUBLE SPEED RAIL
EUBSR-2-30	30" DOUBLE SPEED RAIL
EUBSR-2-36	36" DOUBLE SPEED RAIL

DRAINBOARDS -21" WIDTH

MODEL #	SIZE (LXWXH)	LENGTH (L)	WT. (LBS)
UBDB-2112	12"X21"X32-1/2"	12"	32
UBDB-2118	18"X21"X32-1/2"	18"	38
UBDB-2124	24"X21"X32-1/2"	24"	44
UBDB-2130	30"X21"X32-1/2"	30"	50
UBDB-2136	36"X21"X32-1/2"	36"	56

DETAILED SPECIFICATIONS



DRAINBOARDS - 21" WIDTH

MODEL #	SIZE (LXWXH)	LENGTH (L)	WT. (LBS)
UBDB-2112	12"X21"X32-1/2"	12"	32
UBDB-2118	18"X21"X32-1/2"	18"	38
UBDB-2124	24"X21"X32-1/2"	24"	44
UBDB-2130	30"X21"X32-1/2"	30"	50
UBDB-2136	36"X21"X32-1/2"	36"	56

SOME UNITS SHIP UNASSEMBLED FOR REDUCED SHIPPING COST. ALL DIMENSIONS ARE TYPICAL. TOLERANCE +/- .500"
 John Boos & Co. is constantly engaged in a program of improving products and therefore reserves the right to change specifications without prior notice.



3601 S. Banker St. • Effingham, IL 62401 • quotes@johnboos.com

041521

11



www.johnboos.com