



Project:

Item Number:

Quantity:

**E122/F122 COUNTERTOP SHAKE FREEZERS OR FROZEN BEVERAGE DISPENSERS**



**E122**



**F122**




**DESCRIPTION**

Compact, space-saver machines offer the convenience to serve frozen beverages, shakes, smoothies or frozen cocktails. IntelliTec2™ control communicates with the operator through a multi-line graphics LCD using full text instructions.

**INTELLITEC2™ CONTROL FEATURES**

- Programmable and configurable through multi-line graphics display.
- Upload firmware and download statistics through a USB connection.
- Performance and error logs provide data to maximize profitability.
- Senses product consistency or temperature to customize for a wide variety of mixes.
- Standby and sleep modes conserve energy and automatically defrost product, maintaining small ice crystals and delivering a superior mouthfeel.
- Tamper-proof controls for self-serve applications.



Every machine includes Stoelting's White Glove Service. One call does it all – customer service, technical service, parts or warranty information, installation, startup, sales, on-site service dispatch and much more. Available 24 hours a day, seven days a week year-round.

*Continuous research leads to ongoing product improvements; therefore, these specifications are subject to change without notice and should not be used as installation specifications.*

**ITEMS**

- E122-38I2** Air cooled, single phase
- E122-38I2AF** Air cooled, single phase, autofill ready
- E122-38I2P** Air cooled, single phase, with plenum
- F122-38I2** Air cooled, single phase
- F122-38I2-AF** Air cooled, single phase, autofill ready
- F122-38I2P** Air cooled, single phase, with plenum
- F122-18I2** Water cooled, single phase
- F122-18I2-AF** Water cooled, single phase, autofill ready

**ACCESSORIES & OPTIONS**

- 2183807** E112 Autofill Ready Kit - Includes hopper cover, tubing, and solenoid. Requires autofill system
- 2187101** F112 Autofill Ready Kit - Includes hopper cover, tubing, and solenoid. Requires autofill system
- 4177349** Fill-O-Matic II Autofill System - Electric Pumps up to 60 gallons per hour
- 4177370** Fill-O-Matic III Autofill System - Gas Pumps up to 45 gallons per hour
- 4177350** FS2 - Floor Stand 22" x 24" x 31" E122 Set-on-top stand
- 4183513** FSS2 - Floor Stand 22" x 24" x 26" E122 Set-on-top stand
- 2203214** FS3 - Floor Stand 31-3/4" x 26-1/4" x 22-1/2" E122 Set-on-top stand, F122 Mount-to-stand
- 2202408** FS4 - Floor Stand 24-1/4" x 22-1/4" x 18-3/4" E122 Set-on-top stand
- 2208358** FS5 - Floor Stand 25-7/8" x 33-3/8" x 22-1/2" E122 Set-on-top stand, F122 Mount-to-stand

**FEATURES**

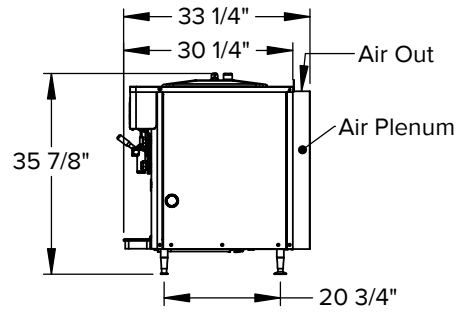
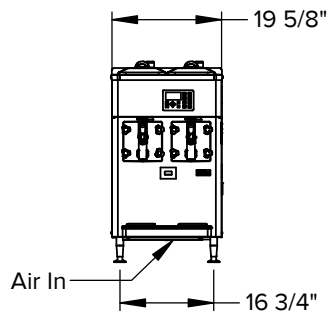
- NSF approved food grade plastic blades provide quiet operation and superior durability.
- Simplified design for quick assembly after cleaning.
- On demand defrost prevents ice buildup and ensures a smooth frozen treat with consistent quality.
- Clear door displays circulating product for merchandising appeal.
- Highly efficient auger design gently folds the entire contents of the freezing cylinder, delivering a thick, smooth, and creamy product.
- Efficient freezing cylinder and auger design deliver a consistent uniform creamy product and a quick recovery time.
- Compact counter-top design saves valuable counter space.
- Single switch for simple operation and cleaning.

Approvals	Date

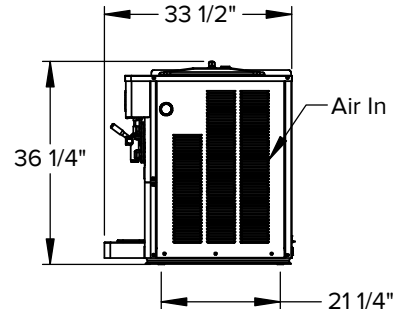
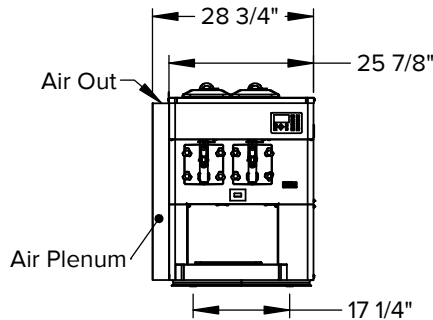
## E122/F122 COUNTERTOP SHAKE FREEZERS OR FROZEN BEVERAGE DISPENSERS

### DIMENSIONS

Model E122



Model F122



### GENERAL SPECIFICATIONS

Model	Freezing Cylinder				Hopper Capacity gallon (L)	Drive Motor (hp)	Weight lb (kg)	Crated Weight lb (kg)
	Capacity gallon (L)	Btu/hr	Refrigerant	Charge (oz)				
E122	Two 1.25 (4.73)	6,400	R-448A	32	Two 3 (11.36)	1/3	275 (124.7)	364 (165.1)
F122	Two 2 (7.57)	12,000	R-448A	A/C: 42 W/C: 32	Two 3 (11.36)	1/2	390 (176.9)	458 (207.7)

- Indoor use only.
- Maximum ambient temperature: 100°F (37.8°C).
- Requires a dedicated electrical circuit.
- Air cooled units require: 6" (15.24 cm) air space on both sides
- Water cooled units require: 3/8" N.P.T. water and drain fittings. Maximum water pressure of 130 psi. Minimum water flow rate of 3 GPM per barrel. Ideal EWT of 50°-70°F.
- Details on CAD Revit Symbols Libraries are available on [stoelting.klclcad.com](http://stoelting.klclcad.com)

### ITEM NUMBER SPECIFICATIONS

Model Number	Cooling	Phase	Volts	Hz	Running Amps	Cord with Plug (Included)	Autofill Ready	Plenum Kit
E122-38I2	Air	1	208-240	60	10.6	NEMA 6-15P	—	—
E122-38I2AF							✓	—
E122-38I2P							—	✓
F122-38I2	Air	1	208-240	60	10.1	NEMA 6-20P	—	—
F122-38I2-AF							✓	—
F122-38I2P							—	✓
F122-18I2	Water	1	208-240	60	9.1	NEMA 6-20P	—	—
F122-18I2-AF							✓	—



**Service Information**  
 800-319-9549 (U.S. Toll Free)  
 920-894-2293 (Outside the U.S.)  
[www.stoeltingfoodservice.com](http://www.stoeltingfoodservice.com)  
[www.vollrath.com](http://www.vollrath.com)