



The Signature of Quality

FEDERAL INDUSTRIES

A Standex Company

215 Federal Avenue  
Belleville, Wisconsin 53508-9201

Phone: 800-356-4206

Fax: 608-424-3234

Email: Geninfo@Federalind.com

Website: Federalind.com

Project Name: \_\_\_\_\_

Item #: \_\_\_\_\_

Model #: \_\_\_\_\_ Qty: \_\_\_\_\_

Approval: \_\_\_\_\_

AIA #

SIS #

ELEMENTS™ REFRIGERATED SELF-SERVE ISLAND MERCHANDISER

Designed with impulse sales in mind. Get maximum return and increased profits with shop-around merchandising.



Model EIMSS84SC-3 Shown  
\*Black Exterior Finish Only

OPTIONAL ACCESSORIES

- High Capacity Condensate Evaporator Assembly (Field Installed)
  - Requires the removal of the standard Evaporator Assembly shipped with unit, and a separate 208-240V / 20 amp circuit.
- 7 @ # M o o

MODEL	DIMENSIONS <small>(Includes End Panels)</small>
<input type="checkbox"/> EIMSS60SC-3	60 x 40 x 60 (in) 1524 x 1016 x 1524 (mm)
<input type="checkbox"/> EIMSS84SC-3	84 x 40 x 60 (in) 2134 x 1016 x 1524 (mm)

STANDARD FEATURES

Model Features

- Black metal base, interior and canopy.
- Air Deflector
- Easily accessible light switch and temperature control
- Insulated with high-density foam
- Adjustable leg levelers
- Wired for either top or bottom mount electrical connections

Refrigeration

- Condensate evaporator provided for a totally self-contained system
- Easy clean, rust-proof insulated evaporator coil compartment
- Refrigeration controls maintain 38°-40°F. Note: Case temperature will vary if the air curtain is disrupted
- R449a Refrigerant
- Thermometer

Shelving

- Adjustable black metal shelves, three tiers

Lighting

- LED top and undershelf lighting
- ..
- UL Safety and UL Sanitation Listed to NSF Standard
- DOE 2017 Compliant



WARRANTY\*  
One year Parts and Labor  
2nd thru 5th year part only  
service compressor  
(U.S.A. and Canada)

Note: Information is subject to change at any time. Visit [www.federalind.com](http://www.federalind.com) for the most current specs.

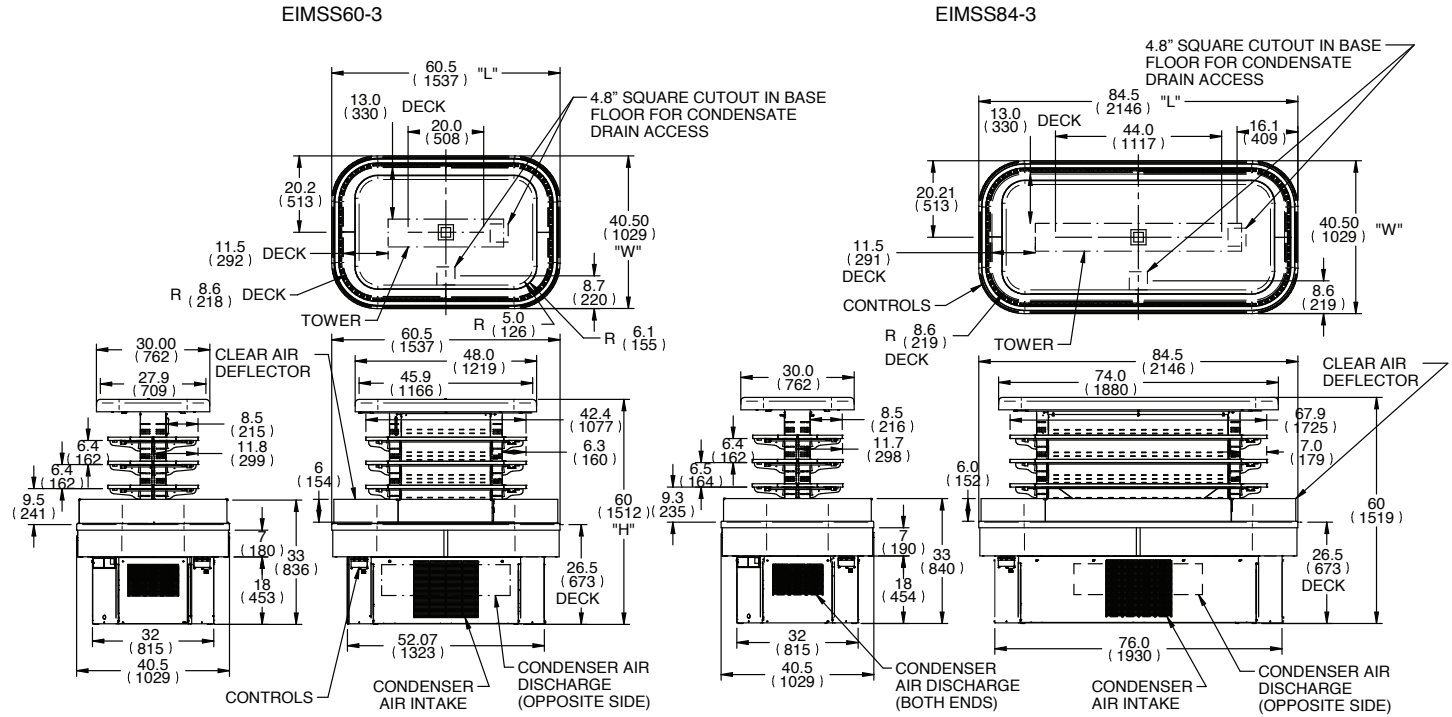
AIA #	<b>ELEMENTS™ REFRIGERATED SELF-SERVE ISLAND MERCHANDISER</b>
SIS #	Product Specifications

Intended Environment: Type I - Designed to operate in maximum ambient conditions of 75°F [24°C] and 55% relative humidity unless noted otherwise in system information below.

Zone	Intended Product To Be Displayed	Avg prod temp °F / °C
All	Packaged Refrigerated Products	38 °F / [3.3 °C]

**DIMENSION: xx"/(mm)**

**DIMENSION TOLERANCE +/- 0.25 (6.4)**



MODEL	DIMENSIONS				DISPLAY AREA (SQ. FT.)	SHIPPING WEIGHT		SELF CONTAINED WITH CONDENSATE PAN		H.P.
	L	D	H1	UNITS		LBS	KILO	VOLTAGE	AMPS	
EIMSS60SC-3	60	40	60	in	3 TIERS - 31.3	910	413	208-240/60/1	30 AMPS	1-1/2 HP
	1524	1016	1524	mm						
EIMSS84SC-3	84	40	60	in	3 TIERS - 41.4	1375	624	208-240/60/1	30 AMPS	1-3/4 HP
	2134	1016	1524	mm						

- Case temperature will vary if the air curtain disrupted
- Refrigerated cases are designed to operate in a maximum of 75°F [24°C] ambient and 55% relative humidity.
- Due to continuing engineering improvements, specifications are subject to change without notice.



**FEDERAL INDUSTRIES**  
 A Standex Company  
 215 Federal Avenue, Belleville, Wisconsin 53508-9201

**Phone:** 800-356-4206  
**Fax:** 608-424-3234  
**Email:** Geninfo@Federalind.com  
**Website:** Federalind.com