

## IMPORTANT SAFEGUARDS

- To prevent overflows, ensure dispenser is completely empty before brewing.
- Always open the flip-lid on the funnel for filling of the dispenser.
- Do not use bleach or cleaners containing chlorides.
- Use only non-metallic brushes and cleaning pads.
- Use only the handle to lift or carry the dispenser.
- Do not use the faucet guard to pull or lift the dispenser.

## CLEANING AND MAINTENANCE

Do not submerge the dispenser or place in dishwasher.

### Daily:

Empty all coffee or tea, remove and clean the brewers brew basket and funnel with detergent solution and rinse. Allow to air dry

Wash the drip tray and other plastic parts with dish detergent. Avoid abrasives.

To sanitize the dispenser before filling, brew a batch of water only (no coffee) into the dispenser and allow it to rest for 10 minutes. Drain and close faucet.

This is beneficial because it will also pre-heat the dispenser

### Weekly, or as needed:

Use any commercial beverage urn cleaner to clean the inside of the dispenser.

We recommend URNEX. Follow the cleaner manufacturer's instructions.

Always thoroughly rinse the brew basket and dispenser after cleaning.

To access faucet and sight tube for cleaning: Follow diagrams!

Pull sight tube cover at top pull forward slightly and lift.

Remove faucet guard. Push down faucet lock. Twist and pull the faucet forward.

Remove the faucet upper assembly and inspect the seat cup for wear.

Clean or replace if necessary\*

\*Youtube video for how to disassemble and clean faucet upper assembly by Tomlinson®

<https://www.youtube.com/watch?v=XL6jpdKMAk0> QR CODE →



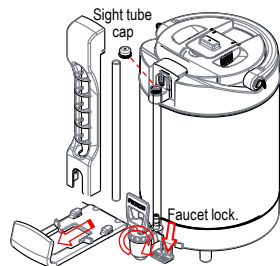
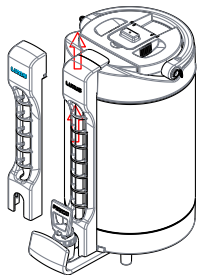
Access the sight tube by removing cover and unscrewing the top cap.

Press new sight tube over the bottom fitting O-rings when replacing.

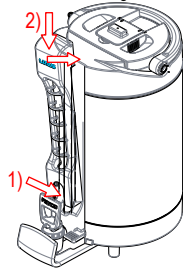
Replace sight tube cover by inserting base, then the top prongs, and push down.

NOTE: Sight tube cover must be kept in place during operation

ACCESSING SIGHT TUBE AND FAUCET  
Grip sight tube cover at top, pull and lift.



REINSTALL SIGHT TUBE COVER  
1) Push base forward and down.  
2) Push top forward and slide guard down to lock.



ACCESSING THE FAUCET & SIGHT TUBE:

Remove sight tube cover. Pull faucet guard up and forward to remove. Push down faucet lock- twist faucet and pull off.

To access sight tube: remove sight tube cap. Reinstall sight tube on barbed fitting on two O-rings (wet O-rings to assist)

Replace faucet by pushing onto the tube and twisting. Secure by pushing faucet lock up and reinstall sight tube cover.

# FETCO® User's Guide and Operator Instructions

www.fetco.com

## LUXUS® LGD and LGS Thermal Dispensers & Servers



LGS-10  
1.0 gallon



LGS-15  
1.5 gallon



LGS-20  
2.0 gallon



LGS-10  
1.0 gallon



LGS-15  
1.5 gallon



LGS-20  
2.0 gallon

## FEATURES

- Stainless steel vacuum insulated liner
- Proven heat retention without power
- Nonelectrical construction: cannot scorch
- Portable and beautiful styling: Matches other FETCO equipment
- FETCO simplified brew-through lid design
- New, larger faucet
- Removable and washable drip tray
- Sight tube, with protective guard
- Fits most brewers, servers fit all L Series FETCO Stands
- Many accessories and spare parts are interchangeable

### Contact Information

FETCO®

Food Equipment Technologies Company

600 Rose Road

Lake Zurich • IL • 60047-1560 • USA

©2018-2020 Food Equipment Technologies Company



fetco.com

Internet: www.fetco.com

Phone: (800) 338-2699 (US & Canada)

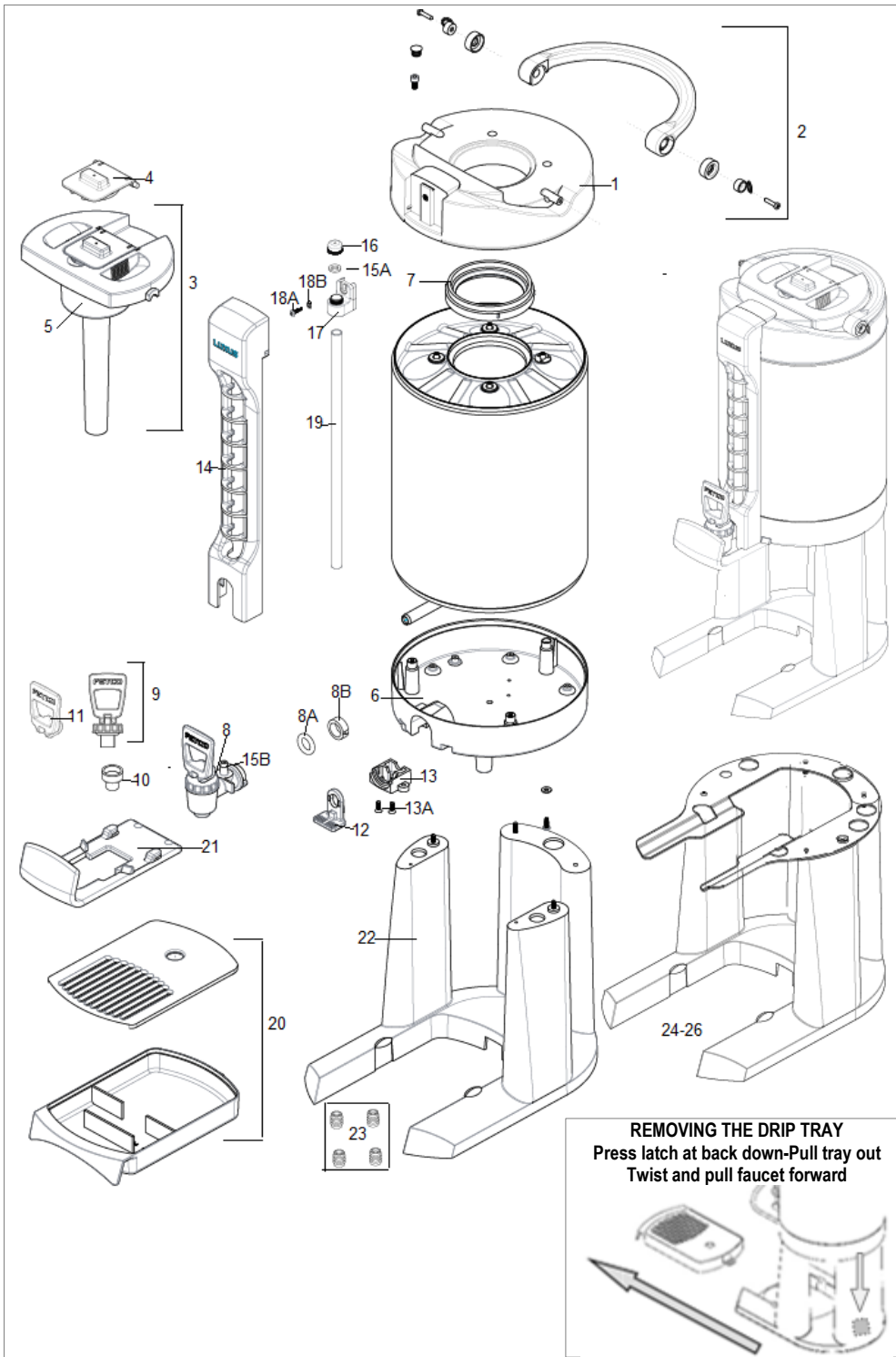
(847) 719-3000

Fax: (847) 719-3001

Email: sales@fetco.com

techsupport@fetco.com P182 February 2020





## FETCO LGD & LGS LUXUS DISPENSER MASTER REPLACEMENT PARTS LIST

Ref	QTY	Description	Dispenser Model Number		
			LGD10 & LGS10	LGD15 & LGS15	LGD20 & LGS20
1	1	TOP COVER	1102.00417.00	1102.00418.00	1102.00418.00
2	1	HANDLE WITH HARDWARE	1000.00111.00	1000.00112.00	1000.00112.00
3	1	COVER FUNNEL	1102.00408.00	1102.00416.00	1102.00416.00
4	1	FLIP-LID-Black	1023.00310.00BK	1023.00310.00BK	1023.00310.00BK
4	1	FLIP-LID-Grey	1023.00310.00GY	1023.00310.00GY	1023.00310.00GY
5	1	COVER CUP	1023.00319.00	1023.00319.00	1023.00319.00
6	1	BOTTOM COVER	1023.00311.00	1023.00326.00	1023.00326.00
7	1	NECK GASKET	1024.00070.00	1024.00070.00	1024.00070.00
8	1	COMPLETE FAUCET, LGD/LGS	1102.00409.00	1102.00409.00	1102.00409.00
8A	1	FAUCET O-RING	1024.00028.00	1024.00028.00	1024.00028.00
8B	1	FAUCET BUSHING	1023.00057.00	1023.00057.00	1023.00057.00
9	1	COMPLETE FAUCET UPR ASBLY	1102.00407.00	1102.00407.00	1102.00407.00
10	1	FAUCET SEAT CUP	1071.00013.00	1071.00013.00	1071.00013.00
11	1	HANDLE	1023.00323.00	1023.00323.00	1023.00323.00
12	1	FAUCET LOCK	1023.00321.00	1023.00321.00	1023.00321.00
13	1	BOTTOM INSERT	1023.00322.00	1023.00322.00	1023.00322.00
13A	2	SCREW, FLT HD. PHL.T/F, #8-18X1/2"	1082.00045.00	1082.00045.00	1082.00045.00
14	1	SIGHT TUBE COVER	1023.00314.00	1023.00327.00	1023.00328.00
15A	1	UPPER SIGHT TUBE WASHER	1024.00033.00	1024.00033.00	1024.00033.00
15B	2	LOWER SIGHT TUBE O-RINGS	1024.00105.00	1024.00105.00	1024.00105.00
16	1	SIGHT TUBE CAP	1071.00024.00	1071.00024.00	1071.00024.00
17	1	SIGHT TUBE HOUSING SUPPORT	1102.00405.00	1102.00405.00	1102.00405.00
18A	1	SCREW, #8-32 X 3/8" P/H phil., mach.	1082.00023.00	1082.00023.00	1082.00023.00
18B	1	LOCK WASHER, #8 SCW, INT.Tooth	1083.00011.00	1083.00011.00	1083.00011.00
19	1	SIGHT TUBE	1021.00013.01	1021.00013.02	1021.00013.03
20	1	DRIP TRAY ASSEMBLY	1000.00013.00	1000.00014.00	1000.00014.00
21	1	FAUCET GUARD	1023.00313.00	1023.00313.00	1023.00313.00
22	1	STAND ASSEMBLY.	1000.00015.00	1000.00016.00	1000.00016.00
23	1	ANTI-SLIP FOOT (QTY-4)	1024.00069.00	1024.00069.00	1024.00069.00
24		Stand Assy L4S-10 Single	A14700000		
24		Stand Assy L4S (15 & 20) Single		A15000000	A15000000
25*		Stand Assy L4S-10 Twin	A14800000		
25*	-	Stand Assy L4S (15 & 20) Twin		A15100000	A15100000
26*	-	Stand Assy L4S-10 Triple	A14900000		
26*	-	Stand Assy L4S (15 & 20) Triple		A15200000	A15200000

\*(NOT SHOWN)