

**PRODUCT SPECIFICATIONS**

Elkay Stainless Steel 18" x 17-1/16" x 5-9/16", Wall Hung Lavatory Sink. Sink is manufactured from 18 gauge 304 Stainless Steel with a Buffed Satin finish, Rear Center drain placement.

|                           |                              |
|---------------------------|------------------------------|
| <b>Material:</b>          | 304 Stainless Steel          |
| <b>Finish:</b>            | Buffed Satin                 |
| <b>Gauge:</b>             | 18                           |
| <b>Number of Bowls:</b>   | 1                            |
| <b>Sink Dimensions:</b>   | 18" x 17-1/16" x 15-3/8"     |
| <b>Bowl 1 Dimensions:</b> | 13-5/8" x 10-1/8" x 5-13/16" |
| <b>Backsplash Height:</b> | 5.6875                       |
| <b>Drain Size:</b>        | 1-1/2" (38mm)                |
| <b>Drain Location:</b>    | Rear Center                  |

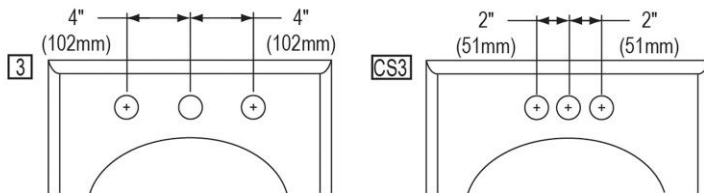
|   |  |
|---|--|
| <b>Custom Options</b>                             |  |
| <input type="checkbox"/> Type 316 Stainless Steel |  |
| <b>Alternate Punching</b>                         |  |
| <input type="checkbox"/> Faucet Model:            | <input type="checkbox"/> Punch Required: |

\*Options available if applicable

**Hole Drilling Configurations:**

1-1/4" (32mm) Diameter Faucet Holes For CS3 Hole Model

1-1/2" (38mm) Diameter Faucet Holes For 3 Hole Model



**AMERICAN PRIDE. A LIFETIME TRADITION.**  
Like your family, the Elkay family has values and traditions that endure. For almost a century, Elkay has been a family-owned and operated company, providing thousands of jobs that support our families and communities.

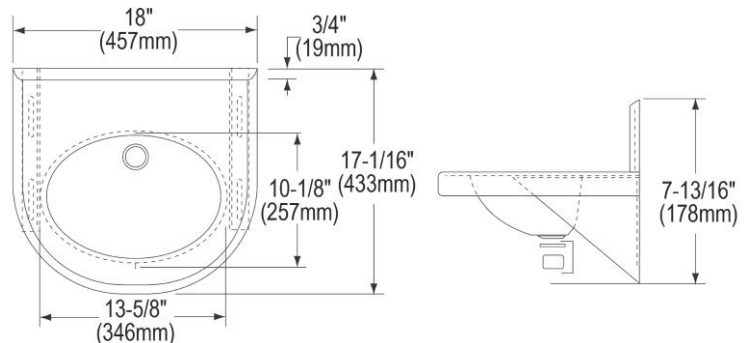


**Product Compliance:** ADA & ICC A117.1  
BUY AMERICAN ACT  
NSF 2



Complies with ADA & ICC A117.1 accessibility requirements when installed according to the requirements outlined in these standards.

[Clean and Care Manual \(PDF\)](#)  
[Warranty \(PDF\)](#)



PART: \_\_\_\_\_ QTY: \_\_\_\_\_

PROJECT: \_\_\_\_\_

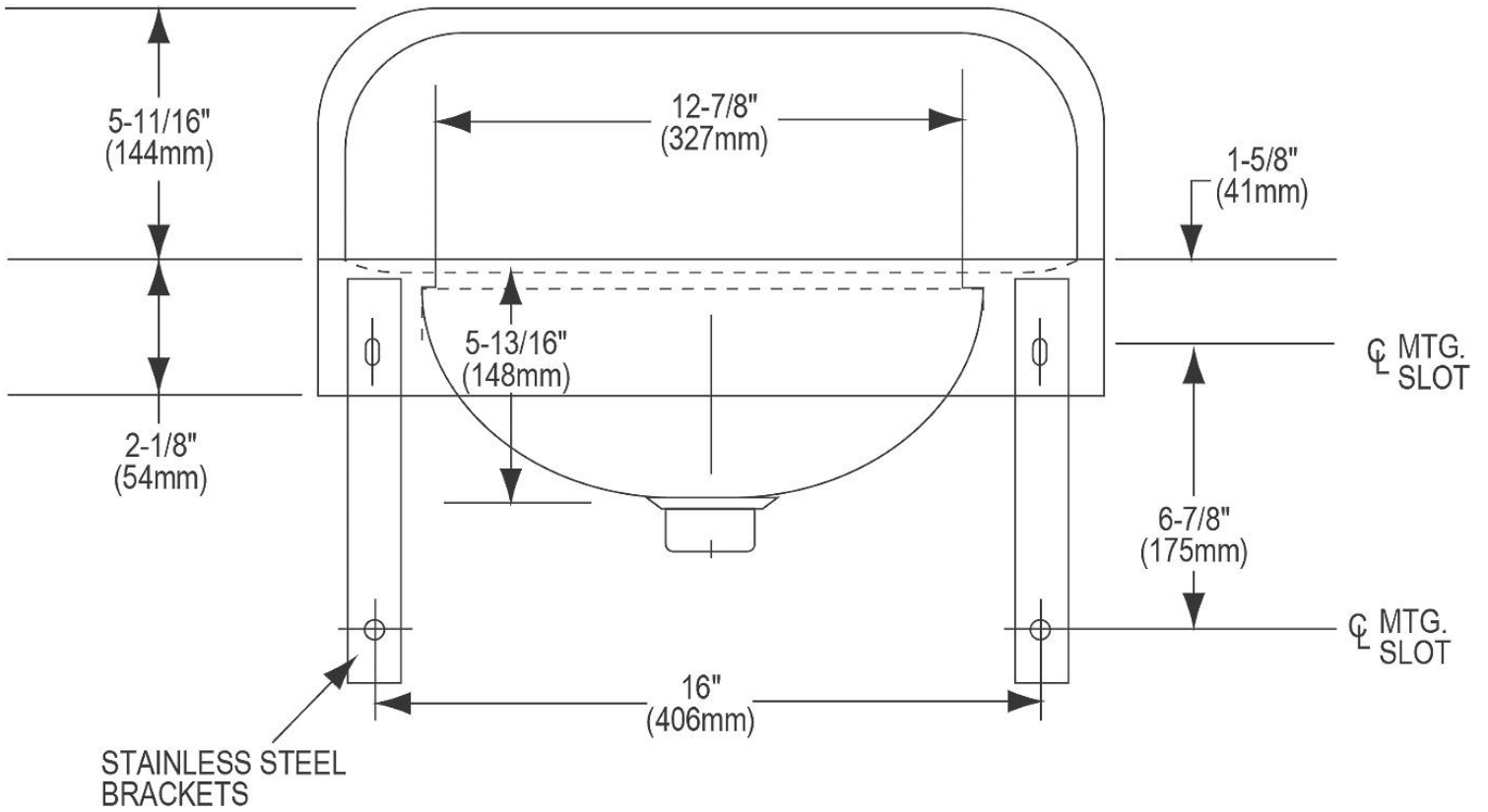
CONTACT: \_\_\_\_\_

DATE: \_\_\_\_\_

NOTES: \_\_\_\_\_

APPROVAL: \_\_\_\_\_

*In keeping with our policy of continuing product improvement, Elkay reserves the right to change product specifications without notice. Please visit [elkay.com](http://elkay.com) for the most current version of Elkay product specification sheets. This specification describes an Elkay product with design, quality, and functional benefits to the user. When making a comparison of other producers' offerings, be certain these features are not overlooked.*



*In keeping with our policy of continuing product improvement, Elkay reserves the right to change product specifications without notice. Please visit [elkay.com](http://elkay.com) for the most current version of Elkay product specification sheets. This specification describes an Elkay product with design, quality, and functional benefits to the user. When making a comparison of other producers' offerings, be certain these features are not overlooked.*