

Specifications

Description

Adcraft's stainless steel electric salamanders are great for cooking, grilling, re-heating and holding foods. The adjustable upper housing has powerful, independently controlled heating element(s) that will both cook and re-heat food quickly when needed. Infinite control dial(s) allow you to have precise control over how long the heating period lasts. The removable drip tray and cooking grate allow for easy cleaning. These salamanders can be used on the countertop or mounted to the wall with their special wall mounting bracket system (sold separately). These units are 240V and come with a 4' long power cord that has a NEMA 6-20P plug. This unit is CE Certified and backed by Adcraft's 1 year warranty.

Construction

- Commercial quality heavy duty stainless steel construction
- Stainless steel upper housing has a vertical movement of 8" to 2.75"
- Polished reflectors above the heating element(s) to help radiate heat down towards the cooking area
- Removable stainless steel drip tray and cooking grate
- Cool-to-touch bakelite handle for safe adjusting of the upper housing
- Non-slip rubber feet for stability when using on the countertop

Operation

- Adjustable vertical movement upper housing adjusts the intensity of the heat given off by the heating element(s)
- Infinite control dial allows you to precisely control how long the heating period lasts

Electrical

- 240V, Single phase
- 4' power cord with NEMA 6-20plug
- Can be used with a plug or hardwired
- Plug and hardwire are both located on the bottom lower right of the unit

Mounting

- Optional wall mounting bracket sold separately
- SAL-2800W/MB and SAL-4000W/MB

Certifications/Approvals



Electric Salamanders

Models:

- SAL-2800W
- SAL-4000W



SAL-2800W



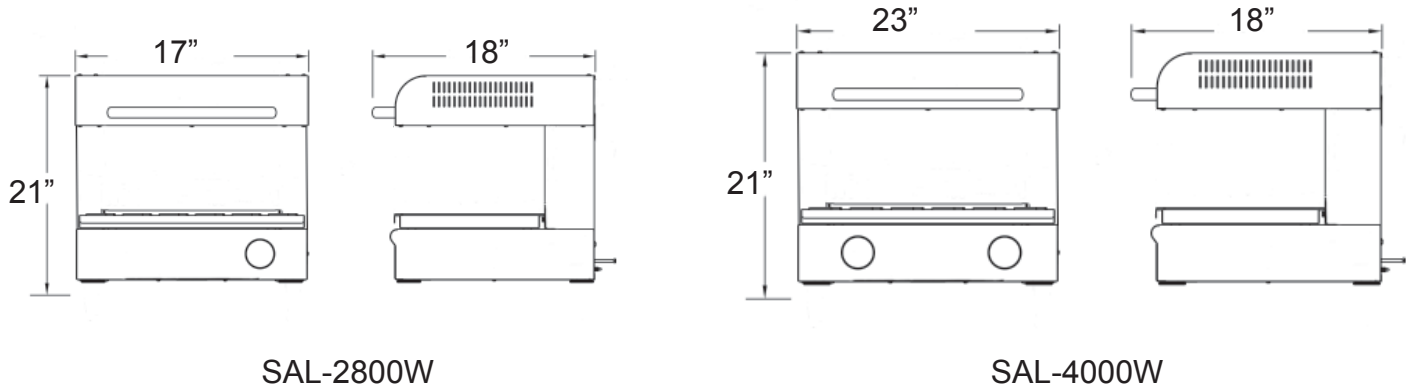
SAL-4000W

Warranty: This product is protected by Admiral Craft Equipment Corporation's 1 year limited warranty. Should your product fail under normal use it will be repaired or replaced up to one year from date of purchase.



Electric Salamanders - SAL-2800W, SAL-4000W



Plan View



SAL-2800W

SAL-4000W

Specifications

Item Number	Description	Volts	Wattage	Amps	NEMA Plug
SAL-2800W	17" Electric Salamander	240V	2800W	11.6	6-20P 
SAL-4000W	23" Electric Salamander	240V	4000W	16.6	6-20P 

Item Number	Overall Dimensions	Cooking Area	Vertical Movement of Upper Housing*
SAL-2800W	17.75"W x 18"D x 21"H	17"W x 13"D	8" to 2-3/4"
SAL-4000W	23.75"W x 18"D x 21"H	23"W x 13"D	8" to 2-3/4"

*Top position to bottom position

Shipping Info

Item Number	Box Dimensions	Gross Weight	Net Weight
SAL-2800W	23" x 23" x 23"	91 lbs	85 lbs
SAL-4000W	23" x 23" x 29"	113 lbs	108 lbs

For more information about this or any of our other products go to www.admiralcraft.com. These items are listed on AutoQuotes. For full explanation of warranty coverage on this product please refer to warranty page located in the owner's manual and warranty section at www.admiralcraft.com. Specifications subject to change without notice. Please confirm at time of order.

©2015 Admiral Craft Equipment Corp.