



Beverage Service Carts

Models MDC24, MDC24F



Features & Benefits

- Perfect for food delivery or offering self-service beverages or snacks. May also be used for a convenient wait staff service station.
- Model MDC24 has a recessed counter that holds 3 each one gal. (3,8 L) Camtainers® (Model 100LCD). Also accommodates Condiment Bins and/or merchandising containers for snacks or specialty items.
- Model MDC24F has a flat top counter to accommodate a variety of combinations of all Cambro insulated beverage containers.
- With the addition of the Optional Wire Rack, each compartment will hold 10 each Metric Camtrays® (Product #3253) or the following GN 1/1, 1/2 or 1/3 Size Food Pans:

2½" (6,5 cm) deep

- 4 each GN 1/1 Full Size
- 8 each GN 1/2 Size
- or 12 each GN 1/3 Size

4" (10 cm) deep

- 3 each GN 1/1 Full Size
- 6 each GN 1/2 Size
- or 9 each GN 1/3 Size

6" (15 cm) deep

- 2 each GN 1/1 Full Size
- 4 each GN 1/2 Size
- or 6 each GN 1/3 Size

8" (20 cm) deep

- 1 each GN 1/1 Full Size
- 2 each GN 1/2 Size
- or 3 each GN 1/3 Size

- One-piece, seamless, double-wall, durable polyethylene construction will not dent, crack, bubble, chip or break. Can be wiped or steam-cleaned.
- Two bottom compartments are insulated with foamed-in polyurethane.
- Open compartment shelf under work area is large enough to store set-ups or additional food items.
- Molded-in handles on both sides provide easy steering and maneuvering.
- Four each 6" (15,24 cm) casters, 2 fixed, 2 swivel, 1 w/ brake, provide easy transport and maneuvering.
- Non-electrical.
- No assembly required.
- Available in 3 colors.

Item No. _____

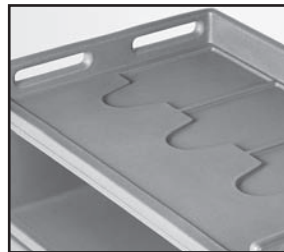
Specifier Identification No. _____

Model No. _____

Quantity _____



MDC24 (Shown with Optional 1 gal. (3,8 L) Camtainers, Condiment Bins and Wire Rack with Metric Camtrays)



Recessed top on Model MDC24 holds 3 each, 1 gal. (3,8 L) Camtainers and stacked Condiment Bins.



Model MDC24F has a flat top counter to allow menu service flexibility.



Organize Food Pans and Trays by placing the Optional Wire Rack inside the insulated compartments.



Closed compartments also hold supplies.

Approvals



© Cambro Manufacturing Company 5801 Skylab Road, Huntington Beach, CA 92647-2056, U.S.A.

Telephone 714 848 1555

Toll Free 800 854 7631

Customer Service Department 800 833 3003

Beverage Service Carts

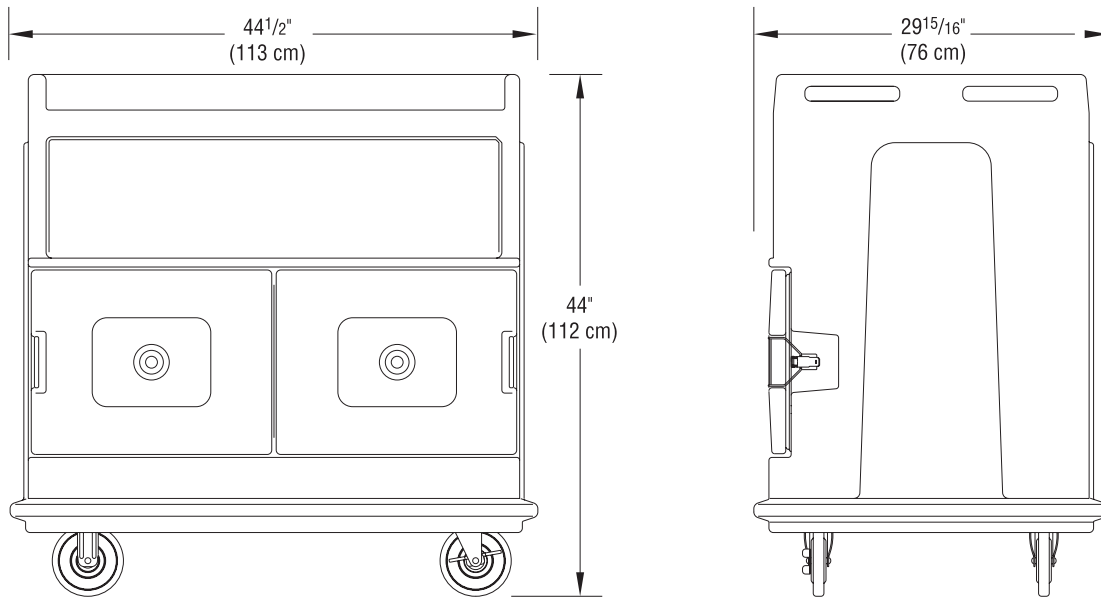
Models MDC24, MDC24F

Item No. _____

Specifier Identification No. _____

Model No. _____

Quantity _____



MDC24 / MDC24F

Specifications

Dimension Tolerance: +/- 1/4" (0,64 cm)

CODE	DESCRIPTION	EXTERIOR DIMENSIONS W x D x H	CASE LB. (CUBE) CASE KG. (M ³)
MDC24 / MDC24F	Beverage Service Cart	44 1/2" x 30" x 44" (113 x 76 x 112 cm)	133 (37.67) 60,3 (1,055)

Optional Accessories

Wire Rack: MDC24R

Condiment Bin: 5412CBP

For MDC24R

Camtainer®: 100LCD -1 gallon (3,8 L)

For MDC24R

Camtainer: 100LCD, 250LCD, 500LCD, 1000LCD

Ultra Camtainer: UC250, UC500, UC1000

CamServer®: CSR3, CSR5

Standard Colors

- Granite Green (192)
- Slate Blue (401)
- Granite Gray (191)

Architect Specs

The non-electrical beverage service cart shall be Model MDC24 or Model MDC24F manufactured by Cambro Mfg. Co., Huntington Beach, CA 92647, U.S.A. It shall be made of one-piece, seamless, double-wall, high-density, polyethylene and shall be foam-injected with polyurethane. Model MDC24 shall have a recessed counter that will hold 3 each one gallon (3,8 L) Camtainers or Condiment Bins. Model MDC24F shall have a flat counter. With the Optional Wire Rack, the two insulated compartments shall accommodate 10 each 3253 Metric Camtrays or GN Full, Half or Third Size Food Pans, from 2 1/2" (6,5 cm) to 8" (20 cm) deep. It shall have an open compartment shelf under the recessed work top area for convenient storage. It shall have molded-in handles on both sides. It shall have 4 each 6" (15,24 cm) casters, 2 fixed, 2 swivel, 1 w/ brake. It shall require no assembly. It shall be available in 3 colors.

Approvals

