



Item # _____

We put space to work.

Job _____

SmartLever™ Productivity System

Metro's SmartLever Productivity System is the ultimate storage and productivity solution providing you with:

More Storage Capacity: SmartLever's cantilevered design provides unobstructed access to the shelves which can mean 30-50% more storage capacity vs four post shelving in the same foot print*. Cantilevered shelving also means access to product is unhindered with posts being in the way. Product is easy-to-see and easy-to-access. Shelves are easy-to-load and easy-to-pull from.

Increased Productivity: SmartLever allows you to configure a workstation for maximum productivity by providing a variable height work surface with a variety of overhead and under work surface storage options AND a versatile SmartWall grid and accessory system allowing you to optimize the work station for specific tasks.

Unlimited Flexibility: Unlike custom fabrication, SmartLever "future proofs" your facility with a flexible system that can be reconfigured and upgraded as your operational needs change. Change is constant and SmartLever adapts with you.

A Complete System Solution: Shelving, workstations, and overhead storage all can be configured and integrated together as part of SmartLever's unique system approach to productivity.

Strength and Confidence:

- Each SmartLever section is capable of supporting a combined load of 2,800 lbs. (1270kg) (including the bottom level)
- Each SmartLever cantilevered level (shelf or work surface) is capable of supporting 600 lbs. (272kg) evenly distributed
- Dunnage shelves place on the bottom level are capable of supporting 1,000 lbs. (454kg) evenly distributed
- SmartLever components have a 10 year limited warranty against rust formation
- SmartLever arms include our patent pending ArmKeeper arm location clip

* Based on items being stored and size of shelving units.



SmartLever Shelving



SmartLever Workstation



SmartLever Shelving Workstation Integration



SmartLever Continuous Shelving



SmartLever Equipment Station



InterMetro Industries Corporation
North Washington Street, Wilkes-Barre, PA 18705
Product Information. U.S. and Canada: 1.800.992.1776
Outside U.S. and Canada: www.metro.com/contactus

L03-227
Printed in U.S.A. 1/21

Information and specifications are subject to change without notice. Please confirm at time of order.

Copyright © 2021 InterMetro Industries Corp.



SmartLever™ Productivity System

17.30



SmartLever™ Design Guidelines

SmartLever's flexibility comes from its unique, patented design. It's a modular system of Uprights, Legs, Cross Bracing, Arm, Shelves, Work Surfaces, and Accessories that gives you the ability to optimize storage and workspace throughout your facility.

Uprights & Legs

SmartLever's strength comes from its robust Upright and Leg System. Legs bolt to the upright and can be ordered separately or as part of our convenient Starter and Add-On Kits. Uprights allow Shelves to be adjusted and position on 2" (51mm) increments.

| Part # | Description |
|--------------|---------------------------------|
| SMU76 | 76" (1930mm) SmartLever Upright |
| SMU86 | 86" (2184mm) SmartLever Upright |

| Part # | Description |
|--------------|------------------------------------|
| SML18 | 18" (457mm) Nominal SmartLever Leg |
| SML21 | 21" (533mm) Nominal SmartLever Leg |
| SML24 | 24" (610mm) Nominal SmartLever Leg |
| SML30 | 30" (762mm) Nominal SmartLever Leg |

Legs must always be equal to or longer than the longest Arm used for Shelves and/or Worksurfaces.

Examples:

- 30" Legs must be used on any unit with 30" Arms
- 24" Legs on any unit with 24" Arms
- 21" Legs on any unit with 21" Arms
- 18" Legs on any unit with 18" Arms



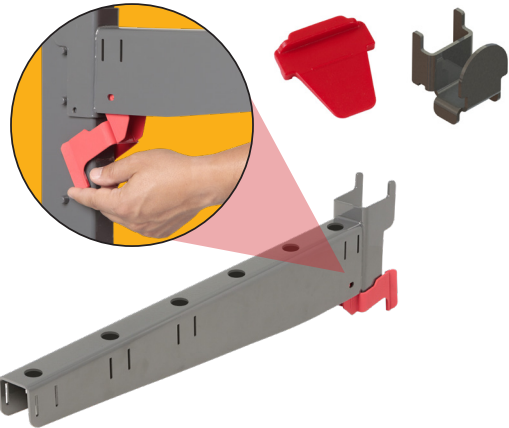
Cross Brace Kits

SmartLever's stability comes from its Cross Bracing System. Each Cross Brace Kit which consists of two Cross Bars and a set of Cross Bracing.

| Part # | Description |
|--------------|--|
| SMB24 | 24" (610mm) Nominal SmartLever Cross Brace Kit w/Hardware |
| SMB30 | 30" (762mm) Nominal SmartLever Cross Brace Kit w/Hardware |
| SMB36 | 36" (914mm) Nominal SmartLever Cross Brace Kit w/Hardware |
| SMB42 | 42" (1067mm) Nominal SmartLever Cross Brace Kit w/Hardware |
| SMB48 | 48" (1219mm) Nominal SmartLever Cross Brace Kit w/Hardware |
| SMB54 | 54" (1372mm) Nominal SmartLever Cross Brace Kit w/Hardware |
| SMB60 | 60" (1524mm) Nominal SmartLever Cross Brace Kit w/Hardware |
| SMB72 | 72" (1829mm) Nominal SmartLever Cross Brace Kit w/Hardware |

Arms

SmartLever's **Patent Pending** Arm Design holds heavy loads, is more durable, can hold different width shelves on the same arm, and come with ArmKeepers installed for the ultimate in adjustability and security. Sold as pairs or as singles ("-ADD" parts) SmartLever Arms also come with Shelf Mounting Hooks and Locking Wedges.



| Part # | Description | # of Arms | # of Shelf Mount Hooks | # of Locking Wedges |
|-------------------|-----------------------------------|-----------|------------------------|---------------------|
| SMA14A | Pair 14" (356mm) SmartLever Arms | 2 | 4 | 4 |
| SMA14A-ADD | Single 14" (356mm) SmartLever Arm | 1 | 4 | 4 |
| SMA18A | Pair 18" (457mm) SmartLever Arms | 2 | 4 | 4 |
| SMA18A-ADD | Single 18" (457mm) SmartLever Arm | 1 | 4 | 4 |
| SMA21A | Pair 21" (533mm) SmartLever Arms | 2 | 4 | 4 |
| SMA21A-ADD | Single 21" (533mm) SmartLever Arm | 1 | 4 | 4 |
| SMA24A | Pair 24" (610mm) SmartLever Arms | 2 | 4 | 4 |
| SMA24A-ADD | Single 24" (610mm) SmartLever Arm | 1 | 4 | 4 |
| SMA30A | Pair 30" (762mm) SmartLever Arms | 2 | 4 | 4 |
| SMA30A-ADD | Single 30" (762mm) SmartLever Arm | 1 | 4 | 4 |

SmartLever™ Design Guidelines Cont.

Shelves

SmartLever's ultimate flexibility comes from the use of Standard Metro Shelving. All Super Erecta (round post) shelves work with SmartLever's Shelf Mounting Hooks.

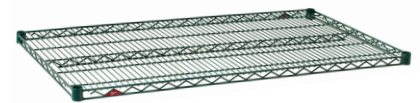
1. Select Super Erecta Pro shelving for all-around superior performance in all environments based on it's easy-to-clean removable mat designs and inherent corrosion protection.
2. Choose Super Erecta for basic applications. Metroseal is recommended but all wire shelving finishes are compatible
3. Utilize Super Erecta Solid Shelving for hybrid work surfaces, work surface overhead shelves, or anytime spill mitigation is important. Stainless steel is recommended for use with SmartLever but all solid shelving styles are compatible
4. Super Erecta Dunnage hold heavy loads supported on SmartLever's Legs with the used of Single or Double Leg Hooks (also for use with other style shelves mounted on the Legs of the unit). Dunnage shelves hold 1,000 lbs. (454kg) when mounted to Legs using Leg Hook (must order separately – see below) and 600 lbs. (272kg) when mounted to Arms.



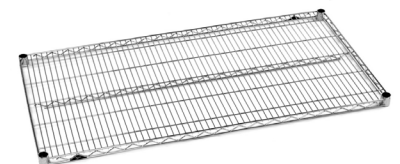
Super Erecta Pro



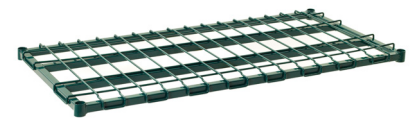
Super Erecta Solid Stainless Steel



Super Erecta MetroSeal 3



Super Erecta Stainless Steel, Brite or Chrome Finish



Super Erecta MetroSeal 3 Dunnage

| Shelving Size L x W in. (mm) | | Super Erecta Pro | Super Erecta Solid Stainless | Super Erecta Metroseal | Super Erecta Super Brite | Super Erecta Chrome | Super Erecta Stainless | Super Erecta Metroseal Dunnage |
|------------------------------------|------------|---------------------|---------------------------------------|------------------------------|-----------------------------------|---------------------------|------------------------------|---|
| 14" (356) | 24" (610) | - | 1424FS | 1424NK3 | 1424BR | 1424NC | 1424NS | - |
| 14" (356) | 30" (762) | - | 1430FS | 1430NK3 | 1430BR | 1430NC | 1430NS | - |
| 14" (356) | 36" (914) | - | 1436FS | 1436NK3 | 1436BR | 1436NC | 1436NS | - |
| 14" (356) | 42" (1067) | - | 1442FS | 1442NK3 | 1442BR | 1442NC | 1442NS | - |
| 14" (356) | 48" (1219) | - | 1448FS | 1448NK3 | 1448BR | 1448NC | 1448NS | - |
| 14" (356) | 54" (1372) | - | - | 1454NK3 | 1454BR | 1454NC | 1454NS | - |
| 14" (356) | 60" (1524) | - | 1460FS | 1460NK3 | 1460BR | 1460NC | 1460NS | - |
| 14" (356) | 72" (1829) | - | - | 1472NK3 | 1472BR | 1472NC | 1472NS | - |
| 18" (457) | 24" (610) | PR1824NK3 | 1824FS | 1824NK3 | 1824BR | 1824NC | 1824NS | 1824DRK3 |
| 18" (457) | 30" (762) | PR1830NK3 | 1830FS | 1830NK3 | 1830BR | 1830NC | 1830NS | 1830DRK3 |
| 18" (457) | 36" (914) | PR1836NK3 | 1836FS | 1836NK3 | 1836BR | 1836NC | 1836NS | 1836DRK3 |
| 18" (457) | 42" (1067) | PR1842NK3 | 1842FS | 1842NK3 | 1842BR | 1842NC | 1842NS | 1842DRK3 |
| 18" (457) | 48" (1219) | PR1848NK3 | 1848FS | 1848NK3 | 1848BR | 1848NC | 1848NS | 1848DRK3 |
| 18" (457) | 54" (1372) | PR1854NK3 | - | 1854NK3 | 1854BR | 1854NC | 1854NS | 1854DRK3 |
| 18" (457) | 60" (1524) | PR1860NK3 | 1860FS | 1860NK3 | 1860BR | 1860NC | 1860NS | 1860DRK3 |
| 18" (457) | 72" (1829) | PR1872NK3 | 1872FS | 1872NK3 | 1872BR | 1872NC | 1872NS | - |
| 21" (533) | 24" (610) | PR2124NK3 | 2124FS | 2124NK3 | 2124BR | 2124NC | 2124NS | 2124DRK3 |
| 21" (533) | 30" (762) | PR2130NK3 | 2130FS | 2130NK3 | 2130BR | 2130NC | 2130NS | 2130DRK3 |
| 21" (533) | 36" (914) | PR2136NK3 | 2136FS | 2136NK3 | 2136BR | 2136NC | 2136NS | 2136DRK3 |
| 21" (533) | 42" (1067) | PR2142NK3 | 2142FS | 2142NK3 | 2142BR | 2142NC | 2142NS | 2142DRK3 |
| 21" (533) | 48" (1219) | PR2148NK3 | 2148FS | 2148NK3 | 2148BR | 2148NC | 2148NS | 2148DRK3 |
| 21" (533) | 54" (1372) | PR2154NK3 | - | 2154NK3 | 2154BR | 2154NC | 2154NS | 2154DRK3 |
| 21" (533) | 60" (1524) | PR2160NK3 | 2160FS | 2160NK3 | 2160BR | 2160NC | 2160NS | 2160DRK3 |
| 21" (533) | 72" (1829) | PR2172NK3 | - | 2172NK3 | 2172BR | 2172NC | 2172NS | - |
| 24" (610) | 24" (610) | PR2424NK3 | 2424FS | 2424NK3 | 2424BR | 2424NC | 2424NS | 2424DRK3 |
| 24" (610) | 30" (762) | PR2430NK3 | 2430FS | 2430NK3 | 2430BR | 2430NC | 2430NS | 2430DRK3 |
| 24" (610) | 36" (914) | PR2436NK3 | 2436FS | 2436NK3 | 2436BR | 2436NC | 2436NS | 2436DRK3 |
| 24" (610) | 42" (1067) | PR2442NK3 | 2442FS | 2442NK3 | 2442BR | 2442NC | 2442NS | 2442DRK3 |
| 24" (610) | 48" (1219) | PR2448NK3 | 2448FS | 2448NK3 | 2448BR | 2448NC | 2448NS | 2448DRK3 |
| 24" (610) | 54" (1372) | PR2454NK3 | - | 2454NK3 | 2454BR | 2454NC | 2454NS | 2454DRK3 |
| 24" (610) | 60" (1524) | PR2460NK3 | 2460FS | 2460NK3 | 2460BR | 2460NC | 2460NS | 2460DRK3 |
| 24" (610) | 72" (1829) | PR2472NK3 | 2472FS | 2472NK3 | 2472BR | 2472NC | 2472NS | - |
| 30" (762) | 36" (914) | - | - | 3036NK3 | - | 3036NC | 3036NS | - |
| 30" (762) | 42" (1067) | - | - | 3042NK3 | - | 3042NC | - | - |
| 30" (762) | 48" (1219) | - | - | 3048NK3 | - | 3048NC | 3048NS | - |
| 30" (762) | 54" (1372) | - | - | 3054NK3 | - | 3054NC | - | - |
| 30" (762) | 60" (1524) | - | - | 3060NK3 | - | 3060NC | 3060NS | - |
| 30" (762) | 72" (1829) | - | - | 3072NK3 | - | 3072NC | 3072NS | - |

Leg Hooks

Leg hooks are used to install any shelf on the legs as the bottom shelf of the unit.



| Cat. No. | Description |
|----------|--------------------------|
| LSH1 | Single Leg Hook (4 Pack) |
| LSH2 | Double Leg Hook (2 Pack) |

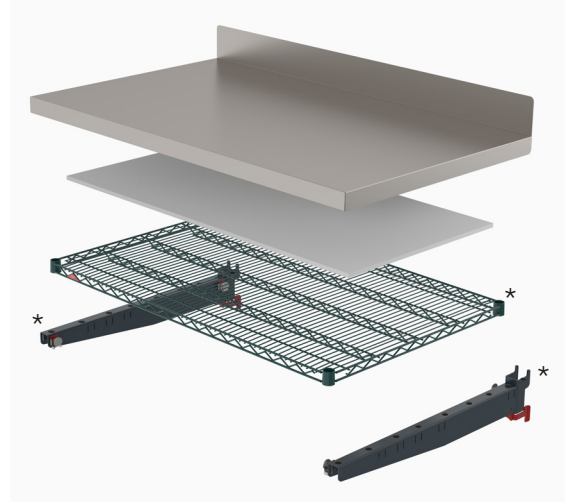
*Arm size must match shelf depth. For example, 2148NK3 shelf will use SMA 21A.



SmartLever™ Design Guidelines Cont.

Work Surfaces

Create a versatile and productive work station with SmartLever Work Surfaces. Work Surfaces are 304 16ga Stainless Steel with a 4" (102mm) seamless back splash and mount over 30" (762mm) Shelves (30" (762mm) Arms and 30" (762mm) deep Shelves must be ordered separately with the work surface). Work surface heights can be set at any height in 2" (51mm) increments for optimal ergonomics and work flow. Work surfaces include a sound deadening inlay and support 600lbs. (272kg) evenly distributed.



| Cat. No. | Description | Approx. Pkd. Wt. lbs. (kg) | Width in. (mm) | Length in. (mm) |
|--------------|----------------------------------|----------------------------|----------------|-----------------|
| SMW36 | SmartLever 30x36 SS Work Surface | 33.6 (15.3) | 30.25 (768) | 39.75 (1010) |
| SMW42 | SmartLever 30x42 SS Work Surface | 38.3 (17.5) | 30.25 (768) | 45.75 (1162) |
| SMW48 | SmartLever 30x48 SS Work Surface | 42.9 (19.5) | 30.25 (768) | 51.75 (1314) |
| SMW54 | SmartLever 30x54 SS Work Surface | 47.6 (21.3) | 30.25 (768) | 57.75 (1467) |
| SMW60 | SmartLever 30x60 SS Work Surface | 52.2 (23.8) | 30.25 (768) | 63.75 (1619) |
| SMW72 | SmartLever 30x72 SS Work Surface | 61.4 (28) | 30.25 (768) | 75.75 (1924) |

*Work surfaces need a 30" deep shelf and a pair of 30" arms, which must be ordered separately.

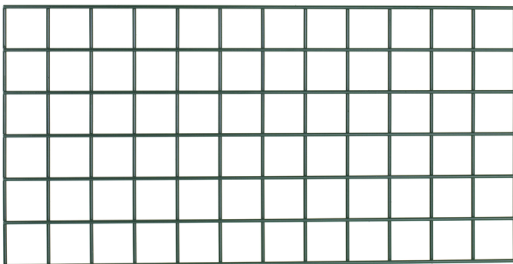
SmartWall Grids & Brackets

SmartWall Grids can be added to SmartLever Work Stations to accommodate SmartWall Accessories (See SmartWall Accessories Spec Sheet 10.43) for the ultimate in customized productivity!



* Shown with SmartWall Accessories (Not included within specifications)

Accessory Grids



| Width | Length | MetroSeal 3 Part # |
|-----------|------------|--------------------|
| | | |
| 18" (457) | 24" (610) | WG1824K3 |
| 18" (457) | 30" (762) | WG1830K3 |
| 18" (457) | 36" (914) | WG1836K3 |
| 18" (457) | 42" (1067) | WG1842K3 |
| 18" (457) | 48" (1219) | WG1848K3 |
| 18" (457) | 54" (1372) | WG1854K3 |
| 18" (457) | 60" (1524) | WG1860K3 |
| 18" (457) | 72" (1829) | WG1872K3 |
| 24" (610) | 36" (914) | WG2436K3 |
| 24" (610) | 48" (1219) | WG2448K3 |
| 30" (762) | 36" (914) | WG3036K3 |
| 30" (762) | 48" (1219) | WG3048K3 |

Grid Bracket

| Cat. No. | Description |
|-------------|----------------------------------|
| SMR* | SmartLever Grid Bracket (4 pack) |

*must be purchased if ordering a grid.

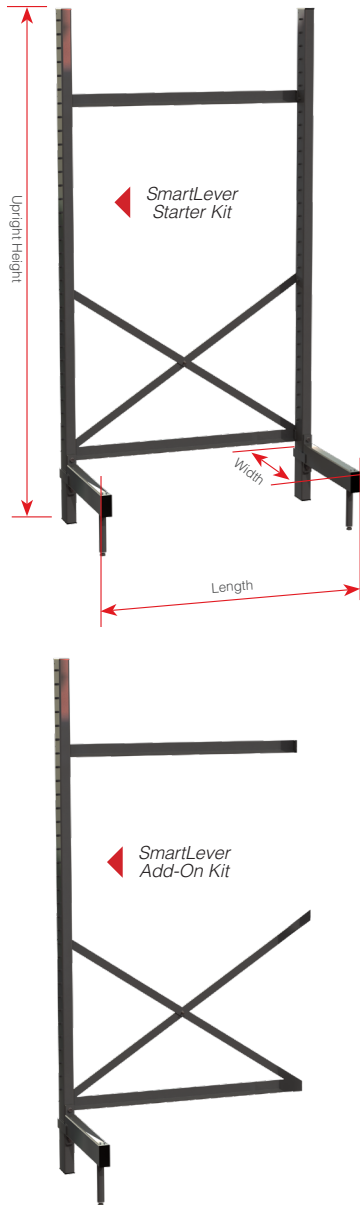


SmartLever™ Design Guidelines Cont.

Starter & Add-on Kits

Starter kits include: two uprights, two legs, two cross bars, and cross bracing

Add-On kits include: one upright, one leg, two cross bars, and cross bracing



| Unit H (in.) (mm) | Unit W (in.) (mm) | SmartLever Starter Kit | Starter Kit L (in.) (mm) | SmartLever Add-On Kit | Add-On Kit L (in.) (mm) | Shelf Size | | | | | | | |
|----------------------|----------------------|---------------------------|-----------------------------------|--------------------------|----------------------------------|-----------------|---------------------|-----------------|-----------------|----|-----|----|------|
| | | | | | | L (in.) (mm) | W (in.) (mm) | L (in.) (mm) | W (in.) (mm) | | | | |
| 76.38 | 1940 | 22.5 | 572 | SM761824-KIT | 28.25 | 718 | SM761824-ADD | 26.19 | 665 | 18 | 457 | 24 | 610 |
| 76.38 | 1940 | 22.5 | 572 | SM761830-KIT | 34.25 | 870 | SM761830-ADD | 32.19 | 818 | 18 | 457 | 30 | 762 |
| 76.38 | 1940 | 22.5 | 572 | SM761836-KIT | 40.25 | 1022 | SM761836-ADD | 38.19 | 970 | 18 | 457 | 36 | 914 |
| 76.38 | 1940 | 22.5 | 572 | SM761842-KIT | 46.25 | 1175 | SM761842-ADD | 44.19 | 1122 | 18 | 457 | 42 | 1067 |
| 76.38 | 1940 | 22.5 | 572 | SM761848-KIT | 52.25 | 1327 | SM761848-ADD | 50.19 | 1275 | 18 | 457 | 48 | 1219 |
| 76.38 | 1940 | 22.5 | 572 | SM761854-KIT | 58.25 | 1480 | SM761854-ADD | 56.19 | 1427 | 18 | 457 | 54 | 1372 |
| 76.38 | 1940 | 22.5 | 572 | SM761860-KIT | 64.25 | 1632 | SM761860-ADD | 62.19 | 1580 | 18 | 457 | 60 | 1524 |
| 76.38 | 1940 | 22.5 | 572 | SM761872-KIT | 76.25 | 1937 | SM761872-ADD | 74.19 | 1884 | 18 | 457 | 72 | 1829 |
| 76.38 | 1940 | 25.5 | 648 | SM762124-KIT | 28.25 | 718 | SM762124-ADD | 26.19 | 665 | 21 | 533 | 24 | 610 |
| 76.38 | 1940 | 25.5 | 648 | SM762130-KIT | 34.25 | 870 | SM762130-ADD | 32.19 | 818 | 21 | 533 | 30 | 762 |
| 76.38 | 1940 | 25.5 | 648 | SM762136-KIT | 40.25 | 1022 | SM762136-ADD | 38.19 | 970 | 21 | 533 | 36 | 914 |
| 76.38 | 1940 | 25.5 | 648 | SM762142-KIT | 46.25 | 1175 | SM762142-ADD | 44.19 | 1122 | 21 | 533 | 42 | 1067 |
| 76.38 | 1940 | 25.5 | 648 | SM762148-KIT | 52.25 | 1327 | SM762148-ADD | 50.19 | 1275 | 21 | 533 | 48 | 1219 |
| 76.38 | 1940 | 25.5 | 648 | SM762154-KIT | 58.25 | 1480 | SM762154-ADD | 56.19 | 1427 | 21 | 533 | 54 | 1372 |
| 76.38 | 1940 | 25.5 | 648 | SM762160-KIT | 64.25 | 1632 | SM762160-ADD | 62.19 | 1580 | 21 | 533 | 60 | 1524 |
| 76.38 | 1940 | 25.5 | 648 | SM762172-KIT | 76.25 | 1937 | SM762172-ADD | 74.19 | 1884 | 21 | 533 | 72 | 1829 |
| 76.38 | 1940 | 28.5 | 724 | SM762424-KIT | 28.25 | 718 | SM762424-ADD | 26.19 | 665 | 24 | 610 | 24 | 610 |
| 76.38 | 1940 | 28.5 | 724 | SM762430-KIT | 34.25 | 870 | SM762430-ADD | 32.19 | 818 | 24 | 610 | 30 | 762 |
| 76.38 | 1940 | 28.5 | 724 | SM762436-KIT | 40.25 | 1022 | SM762436-ADD | 38.19 | 970 | 24 | 610 | 36 | 914 |
| 76.38 | 1940 | 28.5 | 724 | SM762442-KIT | 46.25 | 1175 | SM762442-ADD | 44.19 | 1122 | 24 | 610 | 42 | 1067 |
| 76.38 | 1940 | 28.5 | 724 | SM762448-KIT | 52.25 | 1327 | SM762448-ADD | 50.19 | 1275 | 24 | 610 | 48 | 1219 |
| 76.38 | 1940 | 28.5 | 724 | SM762454-KIT | 58.25 | 1480 | SM762454-ADD | 56.19 | 1427 | 24 | 610 | 54 | 1372 |
| 76.38 | 1940 | 28.5 | 724 | SM762460-KIT | 64.25 | 1632 | SM762460-ADD | 62.19 | 1580 | 24 | 610 | 60 | 1524 |
| 76.38 | 1940 | 28.5 | 724 | SM762472-KIT | 76.25 | 1937 | SM762472-ADD | 74.19 | 1884 | 24 | 610 | 72 | 1829 |
| 76.38 | 1940 | 34.5 | 876 | SM763024-KIT | 28.25 | 718 | SM763024-ADD | 26.19 | 665 | 30 | 762 | 24 | 610 |
| 76.38 | 1940 | 34.5 | 876 | SM763030-KIT | 34.25 | 870 | SM763030-ADD | 32.19 | 818 | 30 | 762 | 30 | 762 |
| 76.38 | 1940 | 34.5 | 876 | SM763036-KIT | 40.25 | 1022 | SM763036-ADD | 38.19 | 970 | 30 | 762 | 36 | 914 |
| 76.38 | 1940 | 34.5 | 876 | SM763042-KIT | 46.25 | 1175 | SM763042-ADD | 44.19 | 1122 | 30 | 762 | 42 | 1067 |
| 76.38 | 1940 | 34.5 | 876 | SM763048-KIT | 52.25 | 1327 | SM763048-ADD | 50.19 | 1275 | 30 | 762 | 48 | 1219 |
| 76.38 | 1940 | 34.5 | 876 | SM763054-KIT | 58.25 | 1480 | SM763054-ADD | 56.19 | 1427 | 30 | 762 | 54 | 1372 |
| 76.38 | 1940 | 34.5 | 876 | SM763060-KIT | 64.25 | 1632 | SM763060-ADD | 62.19 | 1580 | 30 | 762 | 60 | 1524 |
| 76.38 | 1940 | 34.5 | 876 | SM763072-KIT | 76.25 | 1937 | SM763072-ADD | 74.19 | 1884 | 30 | 762 | 72 | 1829 |
| 86.38 | 2194 | 22.5 | 572 | SM861824-KIT | 28.25 | 718 | SM861824-ADD | 26.19 | 665 | 18 | 457 | 24 | 610 |
| 86.38 | 2194 | 22.5 | 572 | SM861830-KIT | 34.25 | 870 | SM861830-ADD | 32.19 | 818 | 18 | 457 | 30 | 762 |
| 86.38 | 2194 | 22.5 | 572 | SM861836-KIT | 40.25 | 1022 | SM861836-ADD | 38.19 | 970 | 18 | 457 | 36 | 914 |
| 86.38 | 2194 | 22.5 | 572 | SM861842-KIT | 46.25 | 1175 | SM861842-ADD | 44.19 | 1122 | 18 | 457 | 42 | 1067 |
| 86.38 | 2194 | 22.5 | 572 | SM861848-KIT | 52.25 | 1327 | SM861848-ADD | 50.19 | 1275 | 18 | 457 | 48 | 1219 |
| 86.38 | 2194 | 22.5 | 572 | SM861854-KIT | 58.25 | 1480 | SM861854-ADD | 56.19 | 1427 | 18 | 457 | 54 | 1372 |
| 86.38 | 2194 | 22.5 | 572 | SM861860-KIT | 64.25 | 1632 | SM861860-ADD | 62.19 | 1580 | 18 | 457 | 60 | 1524 |
| 86.38 | 2194 | 22.5 | 572 | SM861872-KIT | 76.25 | 1937 | SM861872-ADD | 74.19 | 1884 | 18 | 457 | 72 | 1829 |
| 86.38 | 2194 | 25.5 | 648 | SM862124-KIT | 28.25 | 718 | SM862124-ADD | 26.19 | 665 | 21 | 533 | 24 | 610 |
| 86.38 | 2194 | 25.5 | 648 | SM862130-KIT | 34.25 | 870 | SM862130-ADD | 32.19 | 818 | 21 | 533 | 30 | 762 |
| 86.38 | 2194 | 25.5 | 648 | SM862136-KIT | 40.25 | 1022 | SM862136-ADD | 38.19 | 970 | 21 | 533 | 36 | 914 |
| 86.38 | 2194 | 25.5 | 648 | SM862142-KIT | 46.25 | 1175 | SM862142-ADD | 44.19 | 1122 | 21 | 533 | 42 | 1067 |
| 86.38 | 2194 | 25.5 | 648 | SM862148-KIT | 52.25 | 1327 | SM862148-ADD | 50.19 | 1275 | 21 | 533 | 48 | 1219 |
| 86.38 | 2194 | 25.5 | 648 | SM862154-KIT | 58.25 | 1480 | SM862154-ADD | 56.19 | 1427 | 21 | 533 | 54 | 1372 |
| 86.38 | 2194 | 25.5 | 648 | SM862160-KIT | 64.25 | 1632 | SM862160-ADD | 62.19 | 1580 | 21 | 533 | 60 | 1524 |
| 86.38 | 2194 | 25.5 | 648 | SM862172-KIT | 76.25 | 1937 | SM862172-ADD | 74.19 | 1884 | 21 | 533 | 72 | 1829 |
| 86.38 | 2194 | 28.5 | 724 | SM862424-KIT | 28.25 | 718 | SM862424-ADD | 26.19 | 665 | 24 | 610 | 24 | 610 |
| 86.38 | 2194 | 28.5 | 724 | SM862430-KIT | 34.25 | 870 | SM862430-ADD | 32.19 | 818 | 24 | 610 | 30 | 762 |
| 86.38 | 2194 | 28.5 | 724 | SM862436-KIT | 40.25 | 1022 | SM862436-ADD | 38.19 | 970 | 24 | 610 | 36 | 914 |
| 86.38 | 2194 | 28.5 | 724 | SM862442-KIT | 46.25 | 1175 | SM862442-ADD | 44.19 | 1122 | 24 | 610 | 42 | 1067 |
| 86.38 | 2194 | 28.5 | 724 | SM862448-KIT | 52.25 | 1327 | SM862448-ADD | 50.19 | 1275 | 24 | 610 | 48 | 1219 |
| 86.38 | 2194 | 28.5 | 724 | SM862454-KIT | 58.25 | 1480 | SM862454-ADD | 56.19 | 1427 | 24 | 610 | 54 | 1372 |
| 86.38 | 2194 | 28.5 | 724 | SM862460-KIT | 64.25 | 1632 | SM862460-ADD | 62.19 | 1580 | 24 | 610 | 60 | 1524 |
| 86.38 | 2194 | 28.5 | 724 | SM862472-KIT | 76.25 | 1937 | SM862472-ADD | 74.19 | 1884 | 24 | 610 | 72 | 1829 |
| 86.38 | 2194 | 34.5 | 876 | SM863024-KIT | 28.25 | 718 | SM863024-ADD | 26.19 | 665 | 30 | 762 | 24 | 610 |
| 86.38 | 2194 | 34.5 | 876 | SM863030-KIT | 34.25 | 870 | SM863030-ADD | 32.19 | 818 | 30 | 762 | 30 | 762 |
| 86.38 | 2194 | 34.5 | 876 | SM863036-KIT | 40.25 | 1022 | SM863036-ADD | 38.19 | 970 | 30 | 762 | 36 | 914 |
| 86.38 | 2194 | 34.5 | 876 | SM863042-KIT | 46.25 | 1175 | SM863042-ADD | 44.19 | 1122 | 30 | 762 | 42 | 1067 |
| 86.38 | 2194 | 34.5 | 876 | SM863048-KIT | 52.25 | 1327 | SM863048-ADD | 50.19 | 1275 | 30 | 762 | 48 | 1219 |
| 86.38 | 2194 | 34.5 | 876 | SM863054-KIT | 58.25 | 1480 | SM863054-ADD | 56.19 | 1427 | 30 | 762 | 54 | 1372 |
| 86.38 | 2194 | 34.5 | 876 | SM863060-KIT | 64.25 | 1632 | SM863060-ADD | 62.19 | 1580 | 30 | 762 | 60 | 1524 |
| 86.38 | 2194 | 34.5 | 876 | SM863072-KIT | 76.25 | 1937 | SM863072-ADD | 74.19 | 1884 | 30 | 762 | 72 | 1829 |



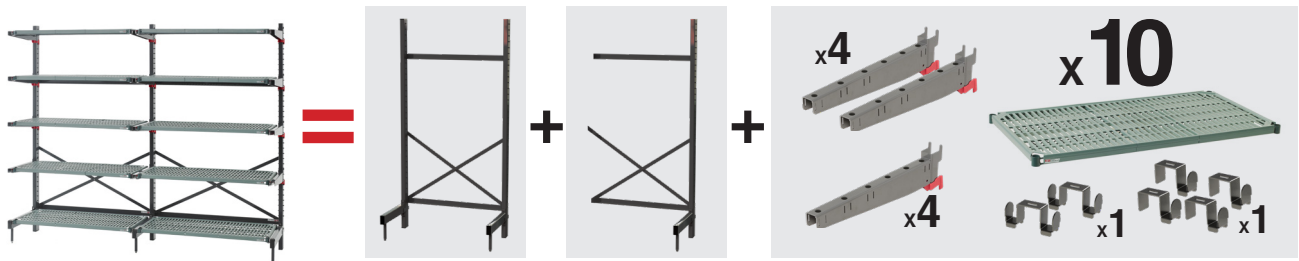
SmartLever™ Productivity System

We put space to work.®

Specifications

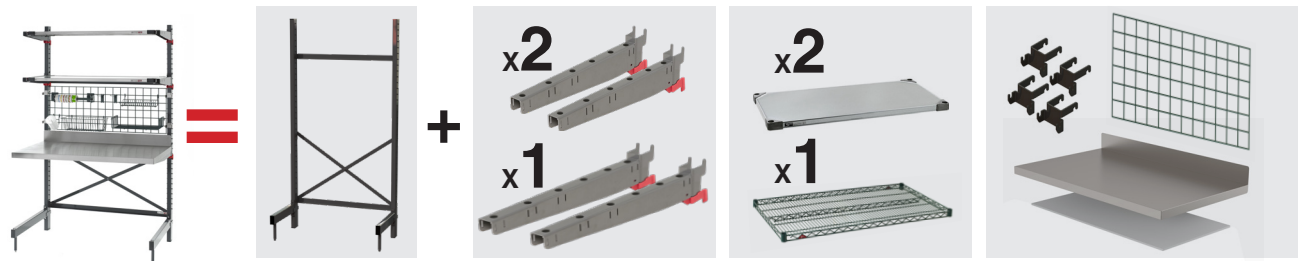
- Structure: Heavy gauge cold rolled steel electroplated and epoxy coated with stainless steel hardware.
- Work Surface: 16 gauge, type 304 stainless steel top with Duraplast anti-drumming support.
- Support Arms: 11 gauge, steel coated with epoxy.
- Dunnage: heavy gauge cold rolled steel electroplated and epoxy coated
- General: work surface and shelving height adjustable on 2" (51mm) increments.
- Warranty: 10 year limited warranty against surface rust formation.
- Load Capacity:
 - The total weight load capacity of each model including the bottom shelf, is 2,800 lbs. (1270kg).
 - Each level (work surface or shelf) has an evenly distributed weight load capacity of 600 lbs. (272kg).
 - The maximum uniformly distributed load on the Dunnage rack must not exceed 1,000 lbs. (454kg).

Configuring SmartLever™



| Quantity Needed | Cat. No. | Description |
|-----------------|---------------------|-----------------------------------|
| 1 | SM762148-KIT | SmartLever 21x48 Starter Unit Kit |
| 1 | SM762148-ADD | SmartLever 21x48 Add-on Unit Kit |
| 4 | SMA21A | Pair 21" SmartLever Arms |

| Quantity Needed | Cat. No. | Description |
|-----------------|-------------------|------------------------------|
| 4 | SMA21A-ADD | Single 21" SmartLever Arms |
| 10 | PR2148NK3 | 21x48 Super Erecta Pro Shelf |
| 1 | LSH1 | Single Leg Hook (4 Pack) |
| 1 | LSH2 | Double Leg Hook (2 Pack) |



| Quantity Needed | Cat. No. | Description |
|-----------------|---------------------|-----------------------------------|
| 1 | SM763042-KIT | SmartLever 30x42 Starter Unit Kit |
| 1 | SMW42 | SmartLever 30x42 SS Work Surface |
| 1 | 3042NK3 | 30x42 Epoxy Coated Wire Shelf |
| 2 | SMA18A | Pair 18" SmartLever Arms |

| Quantity Needed | Cat. No. | Description |
|-----------------|-----------------|----------------------------------|
| 1 | SMA30A | Pair 30" SmartLever Arms |
| 1 | WG1842K3 | 18x42 SmartWall Accessory Grid |
| 1 | SMR | SmartLever Grid Bracket (4 pack) |
| 2 | 1842FS | 18x42 Flat Stainless Steel Shelf |

Note: Grid accessories are not included and can be ordered separately

an Ali Group Company



The Spirit of Excellence