

For Technical Support, call the number below.

For the Conserver® XL-E Series/XL HH Manual, scan the QR Code below or go to our website.



1.888.800.5672
www.jacksonwvs.com

Jackson®

Warewashing Systems

INSTALLATION QUICK GUIDE

CONSERVER®

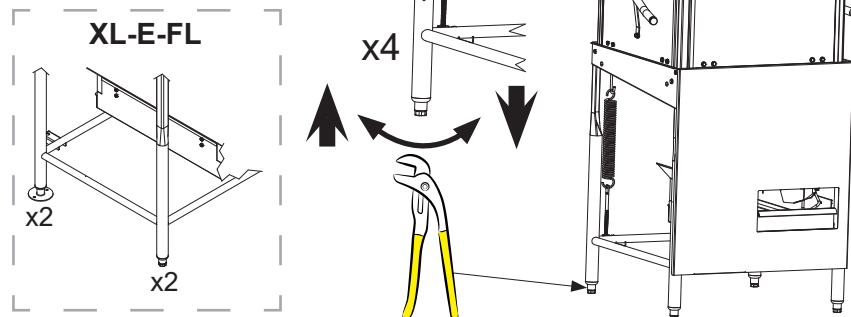
XL-E SERIES/XL HH



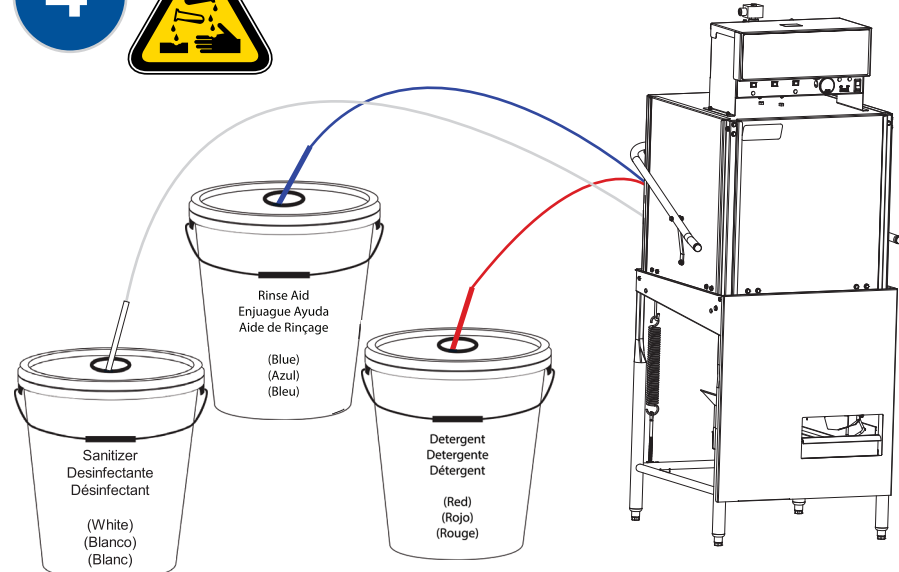
XL-E-LTH
Understand Step 14 before proceeding!
¡Entender el paso 14 antes de continuar!
Comprendre l'étape 14 avant de commencer!

- = risk of electric shock / riesgo de electrocución / risque de décharge électrique
 - = caustic chemicals / químicos cáusticos / produits chimiques caustiques
 - = ground wire / cable a tierra / fil de terre
 - = verify / verificar / vérifier
 - = use fingers/hands / utilizar los dedos/manos / utilisez vos doigts/mains
 - = use eyes / utiliza tus ojos / utilisez vos yeux
 - = reference data plate / mire la placa de datos / regarder la plaque signalétique
 - = water / agua / eau
 - = not supplied / no se suministra / non fourni
 - = on / encendido / allumé
 - = off / apagado / éteint
-

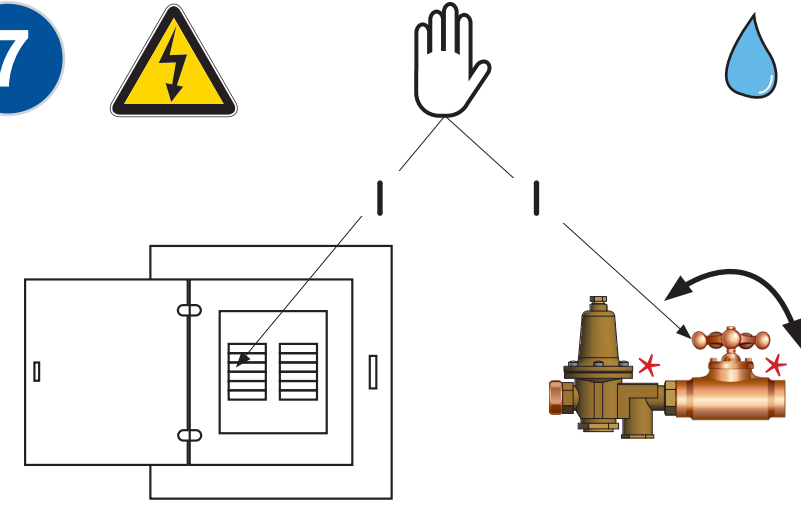
1 



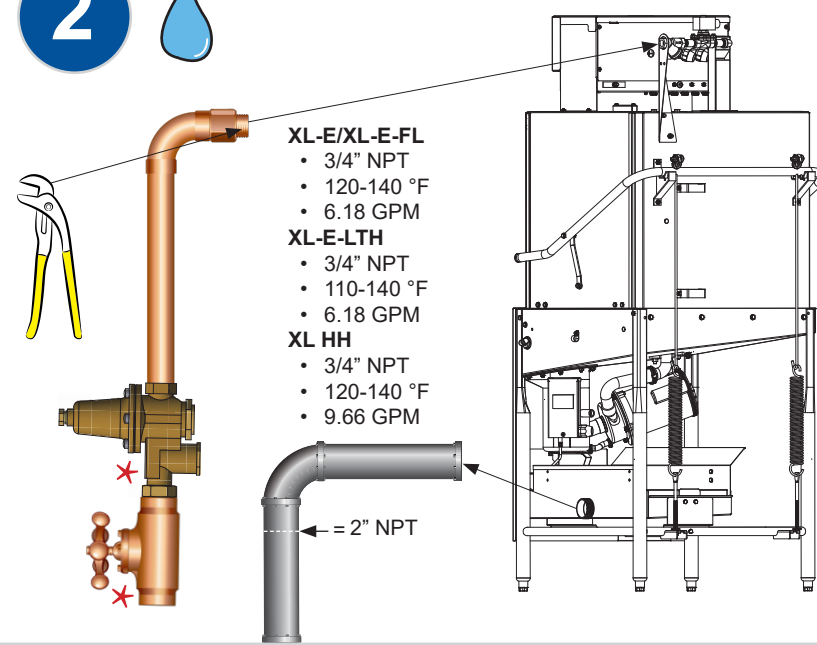
4 




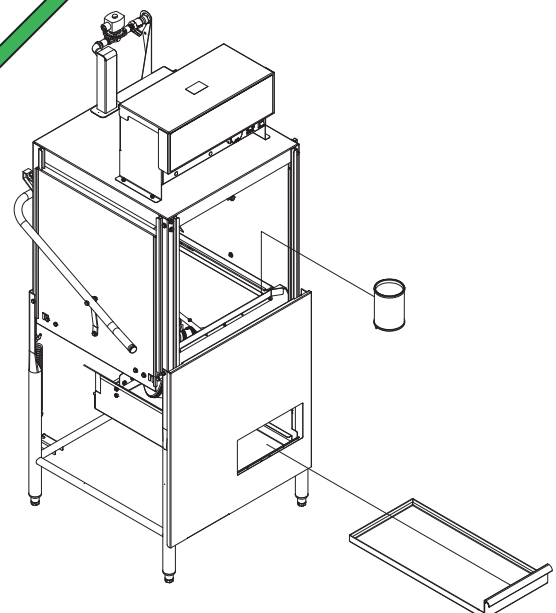
7 

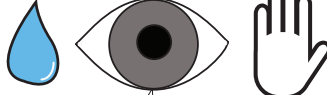


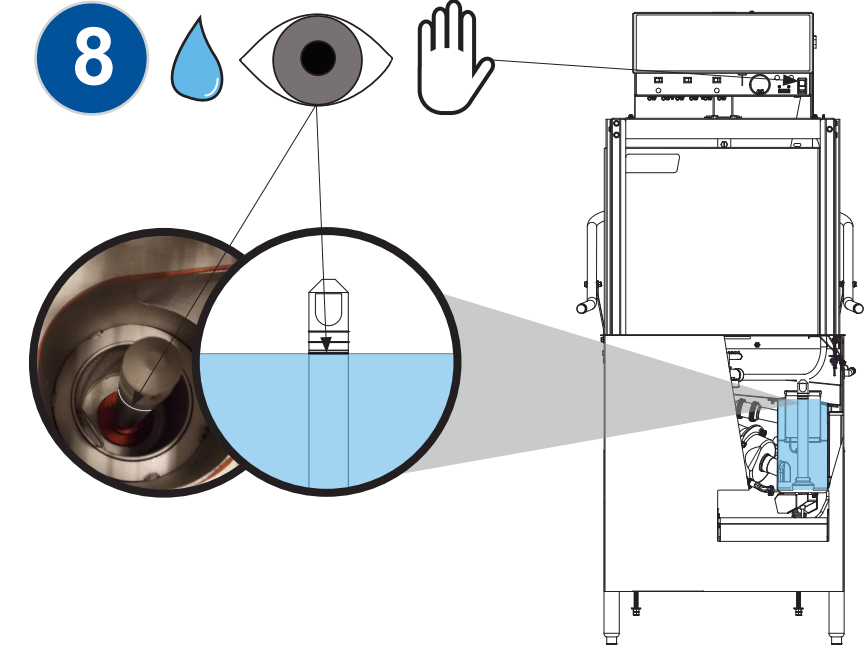
2 



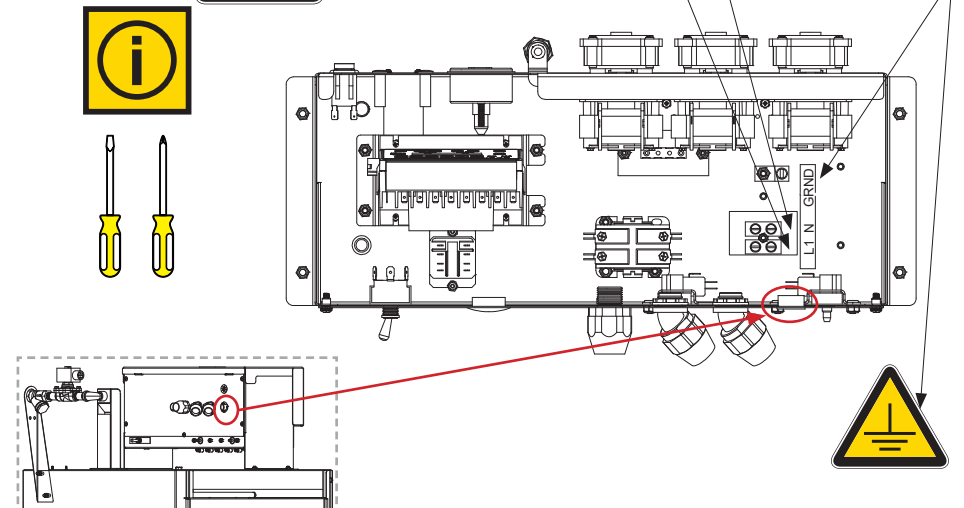
5 



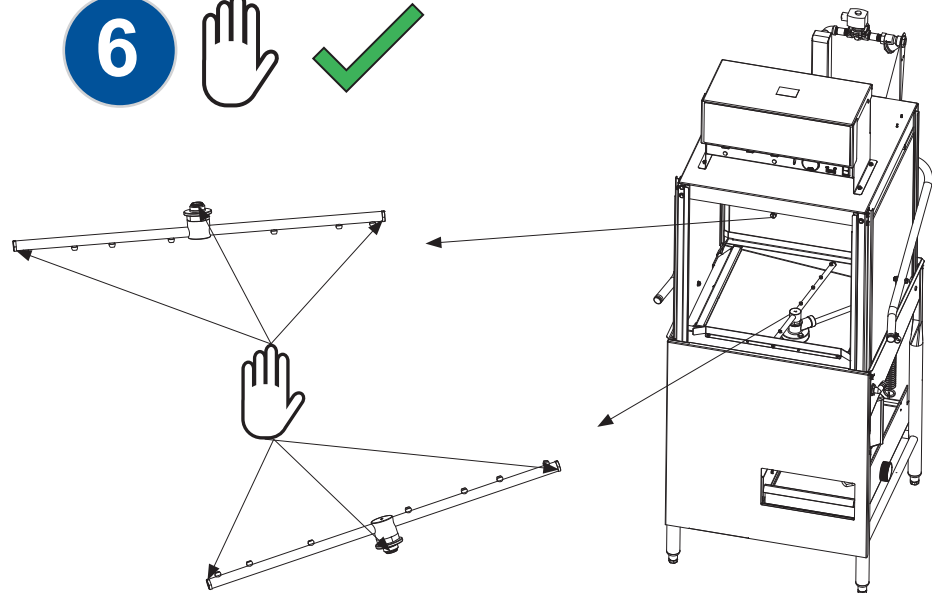
8 



3 



6 



9 

