

For Technical Support, call the number below.

For the TempStar® VER Manual,  
scan the QR Code below or go to our website.



For the TempStar® HH-E VER Manual,  
scan the QR Code below or go to our website.



**1.888.800.5672**  
**www.jacksonwvs.com**





**Warewashing Systems**


**INSTALLATION  
QUICK GUIDE**


**TEMPSTAR® VER &  
TEMPSTAR® HH-E-VER**





 = risk of electric shock  
riesgo de electrocución  
risque de décharge électrique


 = caustic chemicals  
químicos cáusticos  
produits chimiques caustiques

 = ground wire  
cable a tierra  
fil de terre


 = verify  
verificar  
vérifier

 = use fingers/hands  
utilizar los dedos/manos  
utilisez vos doigts/mains

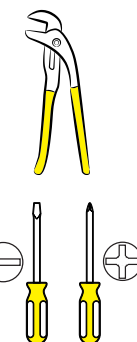
 = use eyes  
utiliza tus ojos  
utilisez vos yeux

 = reference data plate  
mire la placa de datos  
regarder la plaque signalétique

 = water  
agua  
eau

 = not supplied  
no se suministra  
non fourni

 = level  
nivel  
niveau

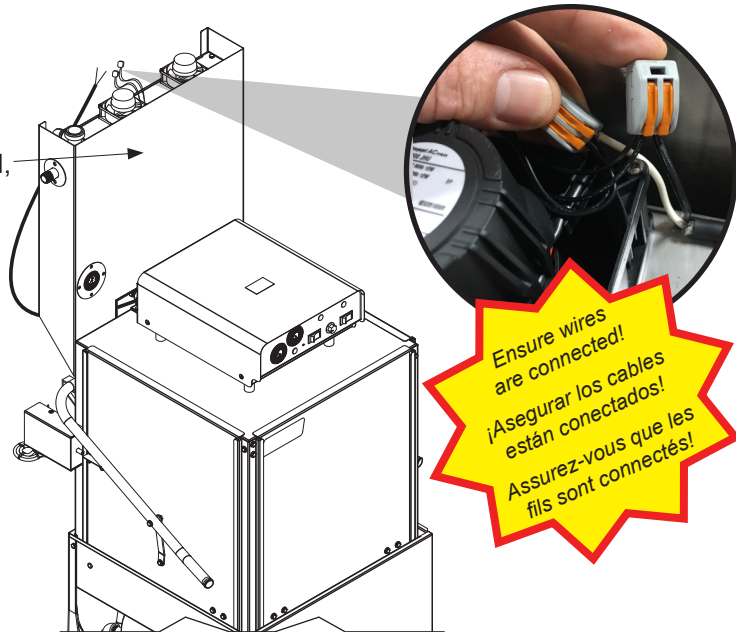


1

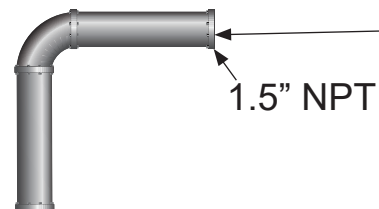
If not already installed, scan the QR code.

Si no es instalado escanee código QR.

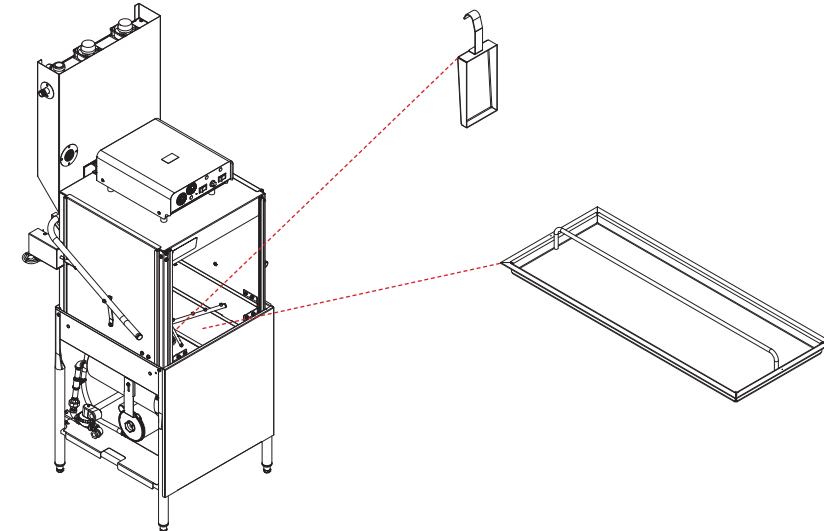
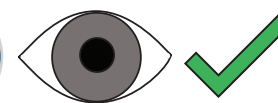
Si pas déjà installé, scannez le code QR.



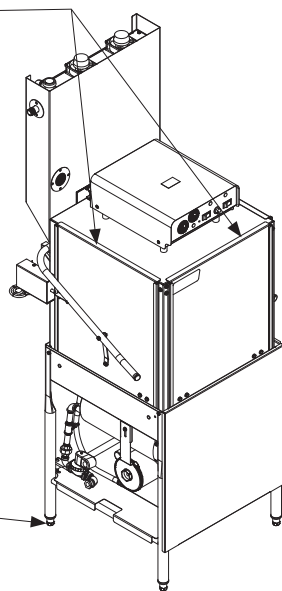
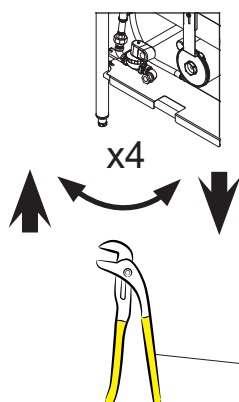
4



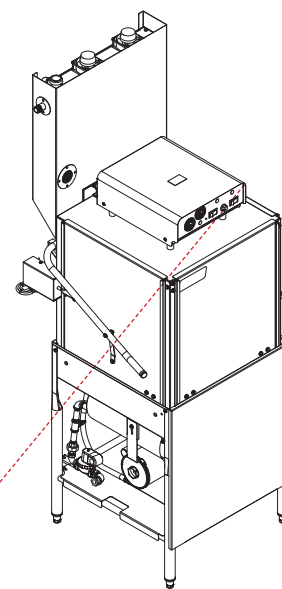
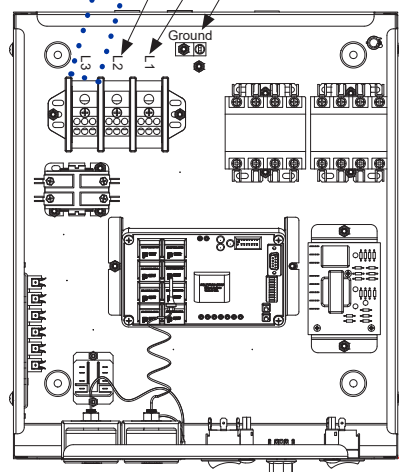
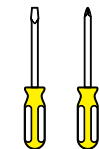
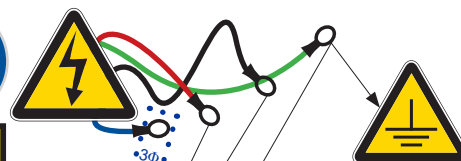
7



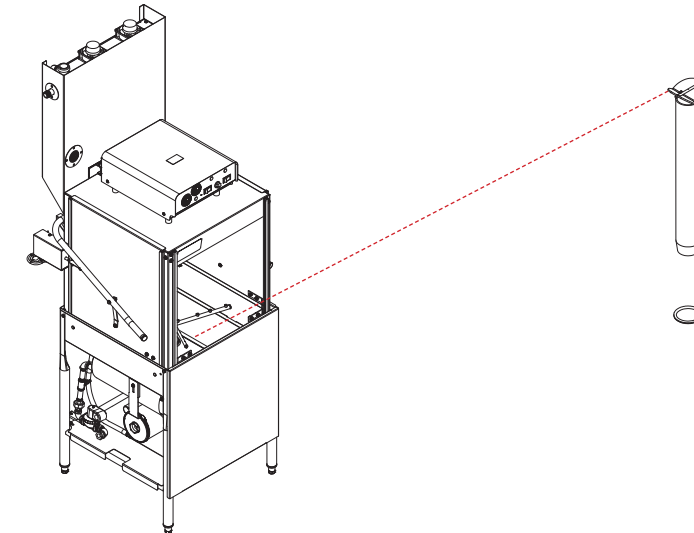
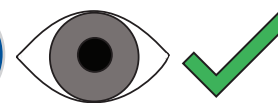
2



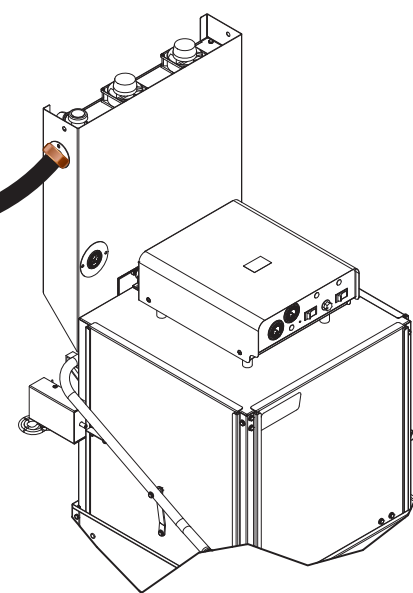
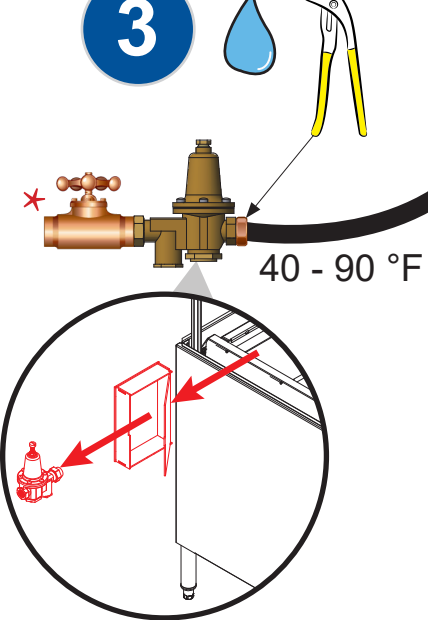
5



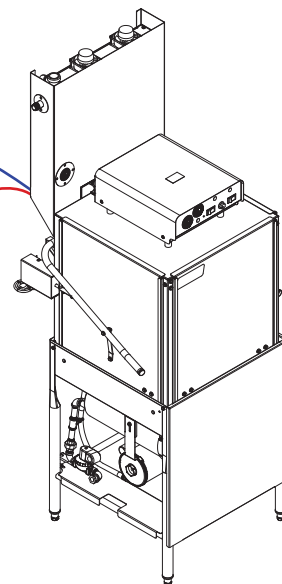
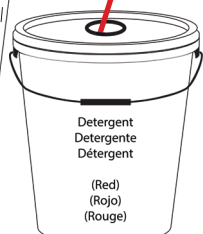
8



3



6



9

