

VERSA FOOD SERVICE SYSTEM



The Versa Food Service System provides custom design without the custom price. This non electric, versatile, portable system keeps food cold for hours with either ColdFest® pans or Buffet Camchillers®. The system is made of durable all-weather material and is easy to clean. The Versa Food Service System offers countless configurations to fit any foodservice need.

- Ergonomic, molded-in handles on both sides ensure easy maneuvering.
- Versa Food Bar and Work Table both include a drain faucet that can be connected to a hose for drainage and easy cleaning.
- Add an end table to a Food Bar or Work Table to hold trays, condiments, or paper goods.

Versa Cart

- Join a Versa Cart with a Food Bar or Work Table for fast check-out and improved traffic flow.
- The Versa Cart includes an adjustable shelf, standard lockable drawer and convenient electrical access through the top of the cart and front design panel.
- Optional tray rails easily adjust to a lower height.
- Optional pull-out keyboard tray fits inside the drawer.



All components are fully compliant with NSF requirements.

Versa Food Service System is covered under U.S. Patent 9,084,498 B2.



Versa Straight Connector and Versa Corner Connector

Easily and safely attach multiple components together to create a contiguous system and maximize space and merchandising options.

Buffet Camchillers

Extend safe, cold holding time without ice. Dual-sided Buffet Camchillers hold 2½" (6,5 cm) and 4" (10 cm) pans. Fits in the Versa Food Bar, Versa Work Table and Table Top Food Bars.

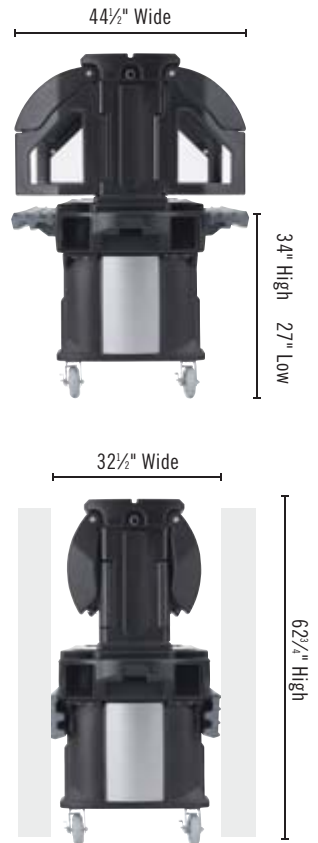
VERSA FOOD SERVICE SYSTEM

Whether you're looking to maximize space, improve traffic flow, add merchandising space or create an upscale salad bar, the Versa Food Service System has you covered.



All components are fully compliant with NSF requirements.

Versa Food Bar®
As Shown: VBR5 shown with optional 2-VCS32R, 1-VBRTBL.



Versa Work Table

- Perfect for a prep table, display, self-serve station or back bar.
- Attach a Work Table to a Food Bar to merchandise snacks and beverages.
- Matching well covers are included with each Versa Work Table.

Standard height model.

VERSA BAR AND VERSA WORK TABLE

- Now available with two secure storage cabinets that can hold up to 50 lbs. (22,7 kg) per compartment of non-perishable items.
- Preferred Salad Bar of Salad Bars to Schools Campaign.



Scan QR code for package product code.



VBRUT5



VBRTBL

VCS32R

VBR6 with optional 2-VBRR6, 2-VBRTBL.

Storage Dimensions:
L 21 1/2" x W 17 1/2" x D 18" per cabinet.
Each cabinet is 3.92 cu. ft. (0,11 M³).



All components are fully compliant with NSF requirements.

VERSA FOOD SERVICE SYSTEM

CODE	DESCRIPTION	OVERALL EXTERIOR DIMENSIONS L x W x H	FULL PAN SIZE CAPACITY	WELL INTERIOR DIMENSIONS L x W x H	LIST PRICE EA.
Versa Food Bars® - Standard Height					
VBR5	5' with standard casters	69" x 42½" x 62¾"	4	52⅝" x 21" x 7⅞"	\$ 3,373.25
VBRU5	5' with standard casters and storage	69" x 42½" x 62¾"	4	52⅝" x 21" x 7⅞"	4,300.25
VBRHD5	5' with heavy duty casters	69" x 42½" x 62¾"	4	52⅝" x 21" x 7⅞"	3,615.30
VBRUHD5	5' with heavy duty casters and storage	69" x 42½" x 62¾"	4	52⅝" x 21" x 7⅞"	4,542.30
VBR6	6' with standard casters	82" x 42½" x 62¾"	5	65⅞" x 21" x 7⅞"	3,512.30
VBRU6	6' with standard casters and storage	82" x 42½" x 62¾"	5	65⅞" x 21" x 7⅞"	4,593.80
VBRHD6	6' with heavy duty casters	82" x 42½" x 62¾"	5	65⅞" x 21" x 7⅞"	3,759.50
VBRUHD6	6' with heavy duty casters and storage	82" x 42½" x 62¾"	5	65⅞" x 21" x 7⅞"	4,841.00
Versa Food Bars - Low Height					
VBRL5	5' with standard casters	69" x 42½" x 55¾"	4	52⅝" x 21" x 7⅞"	3,373.25
VBRLHD5	5' with heavy duty casters	69" x 42½" x 55¾"	4	52⅝" x 21" x 7⅞"	3,615.30
VBRL6	6' with standard casters	82" x 42½" x 55¾"	5	65⅞" x 21" x 7⅞"	3,512.30
VBRLHD6	6' with heavy duty casters	82" x 42½" x 55¾"	5	65⅞" x 21" x 7⅞"	3,759.50
Versa Work Tables - Standard Height					
VBRT5	5' with standard casters	69" x 27" x 36¼"	4	52⅝" x 21" x 7⅞"	2,487.45
VBRUT5	5' with standard casters and storage	69" x 27" x 36¼"	4	52⅝" x 21" x 7⅞"	2,909.75
VBRTHD5	5' with heavy duty casters	69" x 27" x 36¼"	4	52⅝" x 21" x 7⅞"	2,734.65
VBRUTHD5	5' with heavy duty casters and storage	69" x 27" x 36¼"	4	52⅝" x 21" x 7⅞"	3,156.95
VBRT6	6' with standard casters	82" x 27" x 36¼"	5	65⅞" x 21" x 7⅞"	2,631.65
VBRUT6	6' with standard casters and storage	82" x 27" x 36¼"	5	65⅞" x 21" x 7⅞"	3,038.50
VBRTHD6	6' with heavy duty casters	82" x 27" x 36¼"	5	65⅞" x 21" x 7⅞"	2,878.85
VBRUTHD6	6' with heavy duty casters and storage	82" x 27" x 36¼"	5	65⅞" x 21" x 7⅞"	3,285.70
Versa Work Tables - Low Height					
VBRTL5	5' with standard casters	69" x 27" x 29¼"	4	52⅝" x 21" x 7⅞"	2,379.30
VBRTLHD5	5' with heavy duty casters	69" x 27" x 29¼"	4	52⅝" x 21" x 7⅞"	2,626.50
VBRTL6	6' with standard casters	82" x 27" x 29¼"	5	65⅞" x 21" x 7⅞"	2,523.50
VBRTLHD6	6' with heavy duty casters	82" x 27" x 29¼"	5	65⅞" x 21" x 7⅞"	2,770.70

Case Pack: 1

CODE	DESCRIPTION	OVERALL EXTERIOR DIMENSIONS W x D x H	LIST PRICE EA.
Versa Cart			
VCSWR	With dual tray rails and standard casters	52¾" x 32" x 43" (with tray rails up)	\$ 2,611.05
VCSWRHD	With dual tray rails and heavy duty casters	52¾" x 32" x 43¾" (with tray rails up)	3,290.85
VCS	With standard casters and no tray rails	32¼" x 32" x 43"	2,538.95
VCSHD	With heavy duty casters and no tray rails	32¼" x 32" x 43¾"	2,796.45

Connectors

		L x W x H	
VBRC	Straight connector - food bar to food bar	27" x 19" x 4¼"	185.40
VBRC90	Corner connector - food bar to food bar	36" x 36" x 4¼"	319.30
VCS32CNT	Straight connector - cart to standard height food bar / work table	27" x 20⅝" x 3¼"	329.60
VCSCNL	Straight connector - cart to low height food bar / work table	27" x 20⅝" x 8½"	401.70

Case Pack: 1

Versa Food Bar, Versa Work Table, Versa Cart, Connectors, Well Cover Color:

InStock Color



Black

Made to Order Colors for Versa Food Bar, Versa Work Table, Versa Cart, Connectors, Well Cover, Tray Rail and End Table:



Hot Red



Navy Blue



Kentucky Green

Made To Order Items Not Carried In Stock, Non-Returnable.

Tray Rail and End Table Colors Only:

InStock Colors



Granite Gray



**Black

**Made to order color for 1 Tray Rail and 1 End Table. These must be ordered in increments of 2 each. (Minimum of 2 each).