



## Compact Adjustable Dish Caddy S-Series

For 4<sup>5</sup>/<sub>8</sub>" to 12" (11,7 to 30,5 cm) Round Dishes

Model ADCSC - with 4 Towers

Model ADCSC8PKG - with 8 Towers

Model ADCSC12PKG - with 12 Towers

### Features & Benefits

- Ideal for small and large venues. Offers maximum storage capacity in a 27" x 27" (68,6 x 68,6 cm) compact footprint. Adjustable towers provide unlimited storage options utilizing the same unit as table top dishes/sizes change.
- Patented CamLever Tower\* adjusts easily from the top. Each molded polyethylene tower includes one each zinc plated ½" x 22¾" (1,3 x 57,8 cm) threaded rod, nylon lever, washer and knob with threaded insert. Towers are easy to remove for complete cleaning.
- Adjusts to hold plates from 4<sup>5</sup>/<sub>8</sub>" - 12" (11,7 to 30,5 cm) in diameter.
- Each caddy includes 4, 8 or 12 towers based on model specified. Each storage column is 20½" (52,1 cm) deep for safe stacking capacity of approximately 45 - 70 plates (round only) per stack based on plate design/style.
- Safely store dishes 9" (22,8 cm) up from the floor with 6" (15,2 cm) clearance under the unit.
- One-piece molded body made of heavy-duty, durable polyethylene with two each molded in top handles plus recessed handles on four sides. Will not rust, crack or chip. Easy to clean.
- 500 lb. (227 Kg) load bearing capacity.
- Four (4) each 5" (12,7 cm) zinc plated casters, 2 swivel with brake, 2 rigid, with non-marking highly durable 1¼" (3,2 cm) TPE tread.
- Includes one Vinyl cover with 3" x 5" (7,6 x 12,7 cm) inventory/event identification pocket on top. Use to protect clean dishes during storage and transport.
- Some assembly required (ADCSC8PKG and ADCSC12PKG models only).
- Available in 1 color.

\*CamLever Tower is covered by U.S. Patent D844,928 S and D852,450 S. Compact Adjustable Dish Caddy is covered by U.S. Patent 10,321,778 B2.

Project \_\_\_\_\_

Item No. \_\_\_\_\_

Model No. \_\_\_\_\_

Quantity \_\_\_\_\_



ADCSC

### Approvals



# Compact Adjustable Dish Caddy S-Series

For 4<sup>5</sup>/<sub>8</sub>" to 12" (11,7 to 30,5 cm) Round Dishes

Model ADCSC - with 4 Towers

Model ADCSC8PKG - with 8 Towers

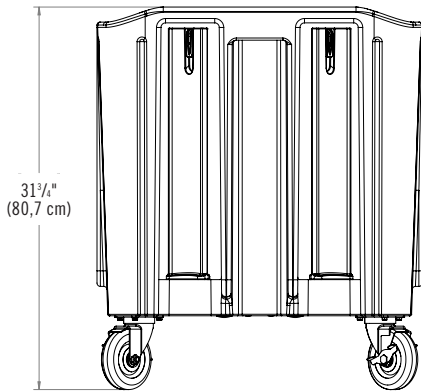
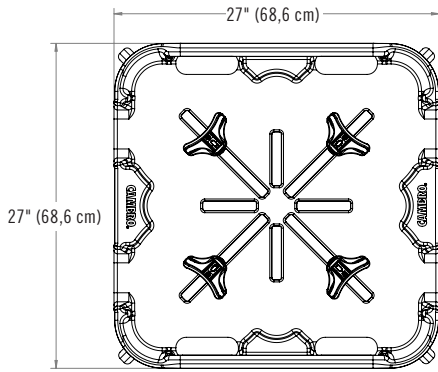
Model ADCSC12PKG - with 12 Towers

Project \_\_\_\_\_

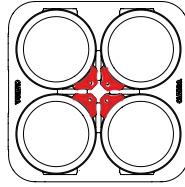
Item No. \_\_\_\_\_

Model No. \_\_\_\_\_

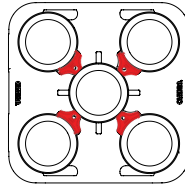
Quantity \_\_\_\_\_



## Model: ADCSC with 4 towers

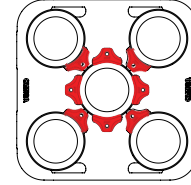


**Stacks of Dishes: 4**  
Holds up to 280 dishes  
**Dish Sizes: 9<sup>1</sup>/<sub>4</sub>" - 12"**  
(23,5 - 30,5 cm)

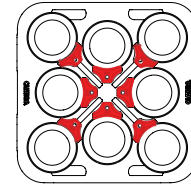


**Stacks of Dishes: 5**  
Holds up to 350 dishes  
**Dish Size: 9"** (22,9 cm)

## Model: ADCSC8PKG with 8 towers

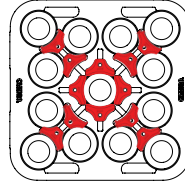


**Stacks of Dishes: 5**  
Holds up to 350 dishes  
**Dish Sizes: 7<sup>3</sup>/<sub>4</sub>" - 8<sup>3</sup>/<sub>4</sub>"**  
(19,7 - 22,2 cm)

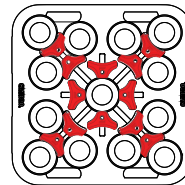


**Stacks of Dishes: 8**  
Holds up to 560 dishes  
**Dish Sizes: 5<sup>1</sup>/<sub>2</sub>" - 7<sup>1</sup>/<sub>2</sub>"**  
(14,6 - 19,1 cm)

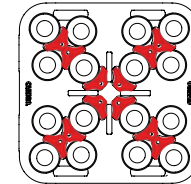
## Model: ADCSC12PKG with 12 towers



**Stacks of Dishes: 13**  
Holds up to 910 dishes  
**Dish Size: 5<sup>1</sup>/<sub>2</sub>"** (14 cm)



**Stacks of Dishes: 13**  
Holds up to 910 dishes  
**Dish Sizes: 4<sup>3</sup>/<sub>4</sub>" - 5<sup>1</sup>/<sub>4</sub>"**  
(12,1 - 13,3 cm)



**Stacks of Dishes: 16**  
Holds up to 1,120 dishes  
**Dish Size: 4<sup>5</sup>/<sub>8</sub>"** (11,7 cm)

Holds 45 - 70 dishes per stack. Capacities are approximate and will vary depending upon thickness and shape of dishes.

## Specifications

Dimension Tolerance: +/- 1/4" (0,64 cm)

CODE	DESCRIPTION	PLATE SIZE	DIMENSIONS W x D x H	UNIT WEIGHT
ADCSC	Adjustable Dish Caddy, 4 Towers	9" - 12" (22,9 - 30,5 cm)	27" x 27" x 31 <sup>3</sup> / <sub>4</sub> " (68,6 x 68,6 x 80,7 cm)	77.54 lbs. (35,2 kg)
ADCSC8PKG*	Adjustable Dish Caddy, 8 Towers	5 <sup>3</sup> / <sub>4</sub> " - 8 <sup>3</sup> / <sub>4</sub> " (14,6 - 22,2)	27" x 27" x 31 <sup>3</sup> / <sub>4</sub> " (68,6 x 68,6 x 80,7)	92.54 (42,1)
ADCSC12PKG**	Adjustable Dish Caddy, 12 Towers	4 <sup>7</sup> / <sub>8</sub> " - 5 <sup>1</sup> / <sub>2</sub> " (11,7 - 14)	27" x 27" x 31 <sup>3</sup> / <sub>4</sub> " (68,6 x 68,6 x 80,7)	107.54 (48,9)
ADCSC4	CamLever Tower - 4 Each	—	2 <sup>5</sup> / <sub>8</sub> " x 4 <sup>3</sup> / <sub>8</sub> " x 23 <sup>1</sup> / <sub>2</sub> " (6,7 x 11,1 x 59,7)	3.58 (1,6)

Case Pack: 1 Color: Speckled Gray (480) \* Ships in 2 separate cartons. \*\* Ships in 3 separate cartons.

## Standard Colors

Speckled Gray (480)

## Architect Specs

The dish storage and transport cart shall be a Compact Adjustable Dish Caddy S-Series, Model ADCSC, ADCSC8PKG, ADCSC12PKG, manufactured by Cambro Mfg. Co., Huntington Beach, CA, 92648. It shall be made of a single molded body of structural web molded polyethylene. It shall have 4, 8 or 12 top adjusting patented CamLever Towers. CamLever Tower is covered by U.S. Patent D 844,928 S. Each tower includes an internal zinc plated 1/2" x 22 1/2" (1,3 x 57,8 cm) threaded metal rod for stability. It shall have a dish stacking height of 20 1/2" (52,1 cm) per tower and can store up to 70 dishes, round only, based on dish type/style. It shall hold 4 5/8" - 12" (11,7 - 30,5 cm) diameter dishes.

It shall have 4 each 5" (12,7 cm) zinc plated casters, 2 swivel with brake and 2 rigid, with non-marking highly durable 1 1/4" (3,2 cm) TPE tread. It shall have 2 each molded in top handles and recessed handles on all 4 sides. It shall have a load capacity of up to 500 lbs. (227 kg). It shall include one vinyl cover with top 3" x 5" (7,6 x 12,7 cm) identification pocket. It shall be available in 1 color, Speckled Gray (480).

## Approvals



**CAMBRO**  
TRUSTED FOR GENERATIONS™  
www.cambro.com

Information and specifications are subject to change without notice. Please confirm at time of order.  
© Cambro Manufacturing Company 5801 Skylab Road, Huntington Beach, California 92647-2056-U.S.A.  
Telephone 714 848 1555 Toll Free 800 854 7631 Customer Service 800 833 3003  
06/21 REV B