



TILT TRUCK PLACARDS

Tilt Truck placards can be installed directly to the side of tilt truck to identify the waste stream.

Features and Benefits:

- Designed to be compatible with waste stream labels

COLORS AVAILABLE

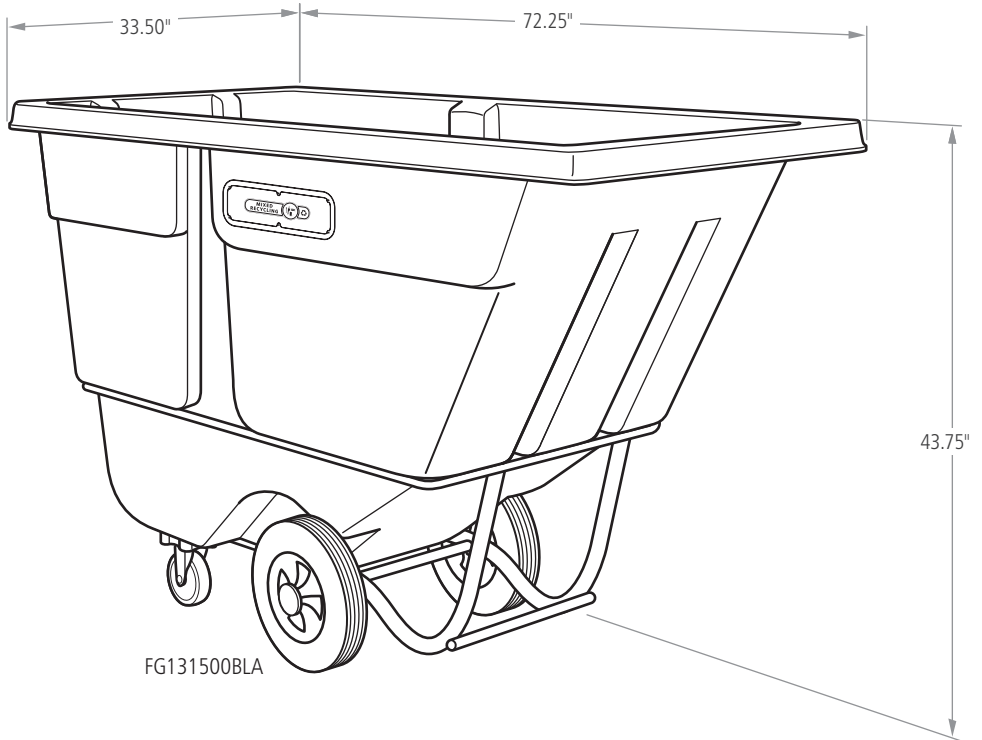
Red, Yellow, Green, Blue, Black, Brown

Material Composition:

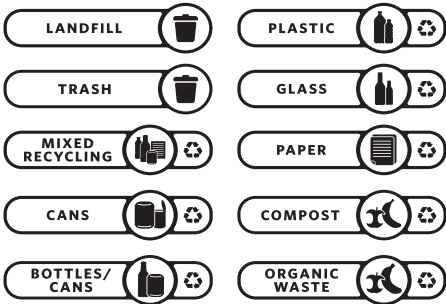
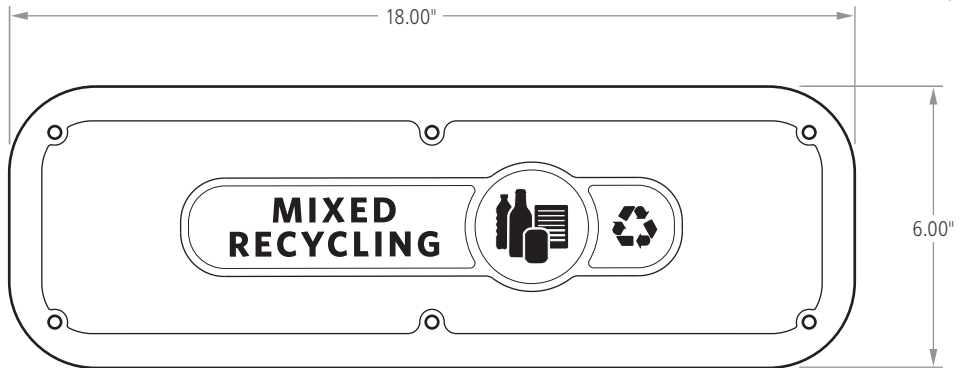
High Density Polyethylene

Compatibility:

- Rotomolded Tilt Trucks
- Waste Stream Label Kit D – 1977788



FG131500BLA



Waste Stream Label Kit D – 1977788

TILT TRUCK PLACARDS

SKU #	DESCRIPTION	COLOR	LENGTH	WIDTH	HEIGHT	PACK SIZE
			IN	IN	IN	
2018385	TILT TRUCK PLACARD	RED	18.00	6.00	0.13	1
2018386	TILT TRUCK PLACARD	YELLOW	18.00	6.00	0.13	1
2018387	TILT TRUCK PLACARD	GREEN	18.00	6.00	0.13	1
2018388	TILT TRUCK PLACARD	BLUE	18.00	6.00	0.13	1
2018389	TILT TRUCK PLACARD	BLACK	18.00	6.00	0.13	1
2018390	TILT TRUCK PLACARD	BROWN	18.00	6.00	0.13	1
1977788	WASTE STREAM LABEL KIT D	WHITE	10.30	2.60	0.063	1
FG130500BLA	1/2 CUBIC YD TILT TRUCK	BLACK	60.50	28.00	38.63	1
FG131500BLA	1 CUBIC YD TILT TRUCK	BLACK	72.25	33.50	43.75	1
FG102500BLA	1-1/2 CUBIC YD TILT TRUCK	BLACK	80.50	43.00	49.50	1
FG103500BLA	2 CUBIC YD TILT TRUCK	BLACK	81.25	46.75	50.00	1
FG104500BLA	2-1/2 CUBIC YD TILT TRUCK	BLACK	81.50	55.50	50.00	1

