

Camdollies®

For Camtainers®, Ultra Camtainers®,
Camcarriers®, and Ultra Pan Carriers®

With Handle

Models CD100H, CD100HB



Features & Benefits

- Make any job easier by smoothly transporting stacks of Ultra Pan Carriers, Camcarriers, Ultra Camtainers and Camtainers with these rugged and reliable Camdollies!
- Each Camdolly will carry the following products:
 - Camtainers - Models 250LCD, 350LCD, 500LCD
 - Ultra Camtainers - Models UC250, UC500
 - Camcarrier - Model 100MPC
 - Ultra Pan Carrier - Model UPC100
- Load capacity is 350 lbs. (159 Kg.) for all models.
- One-piece seamless, double-wall, high-density polyethylene construction is extremely durable. Won't rust or corrode.
- Rounded corners protect walls, equipment, and furniture from damage.
- Easy to clean - can be wiped down or steam cleaned.
- Foamed-in-place polyurethane core adds greater structural strength and reduces noise.
- Molded-in handle is sturdy and provides controlled handling and maneuvering. Won't bend or break.
- Heavy-duty casters are bolted into molded-in steel plates to ensure they won't fall out! Provides quiet service and greater durability when fully loaded.
 - Model CD100H - Four each 5" (12,7 cm) casters, 2 fixed, 2 swivel, 1 w/ brake
 - Model CD100HB - Two each rear 10" (25,4 cm) Easy Wheels and 2 each 5" (12,7 cm) swivel casters, 1 w/ brake
- No assembly required.
- Available in 7 colors.

Item No. _____

Specifier Identification No. _____

Model No. _____

Quantity _____



Approvals



Camdollies®

For Camtainers®, Ultra Camtainers®,
Camcarriers®, and Ultra Pan Carriers™

With Handle

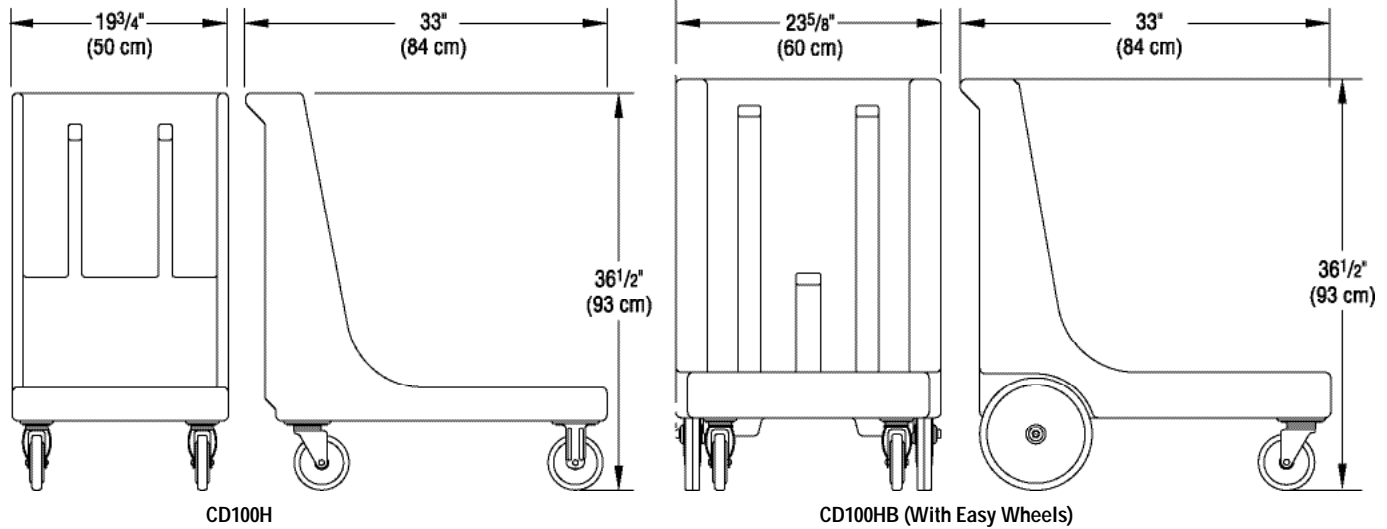
Models CD100H, CD100HB

Item No. _____

Specifier Identification No. _____

Model No. _____

Quantity _____



Specifications

Dimension Tolerance: +/- 1/4" (0,64 cm)

Code	Description	Load Capacity	Interior Dimensions W x L	Exterior Dimensions L x W x H	Case lbs./cube Kg./m ³
CD100H	Camdolly	350 lbs. (159 Kg)	17 3/4" x 26 5/8" (44 x 67 cm)	33" x 19 3/4" x 36 1/2" (84 x 50 x 93 cm)	35 (13.01) 16 (0,36)
CD100HB	Camdolly	350 lbs. (159 Kg)	17 1/2" x 26 5/8" (44 x 68 cm)	33" x 23 5/8" x 36 1/2" (84 x 60 x 93 cm)	45 (18.51) 21 (0,52)

Architect Specs

The Camtainer, Ultra Camtainer, Camcarrier and Ultra Pan Carrier transport cart with a handle shall be a Camdolly, Cambro Model..., manufactured by Cambro Mfg. Co., Huntington Beach, CA 92648 U.S.A. It shall be constructed of single-molded, seamless, double-wall, high-density polyethylene and thick foam injected polyurethane. It shall be available to accommodate various models of Camtainers, Ultra Camtainers, Camcarriers and Ultra Pan Carriers. It shall have a load capacity range up to 350 lbs. (159 Kg). It shall have rounded corners for added protection. It shall have a molded-in handle. It shall be available with either 4 each 5" (7,6 cm) casters, 2 fixed, 2 swivel, 1 w/ brake, or 2 each rear 10" (25,4 cm) Easy Wheels and 2 each 5" (12,7 cm) swivel casters, 1 w/ brake. The casters shall be bolted into molded-in metal plates. It shall not require any assembly and shall be available in 7 colors.

Standard Colors

- Coffee Beige (157)
- Dark Brown (131)
- Black (110)
- Slate Blue (401)
- Gray (180)
- Brick Red (402)
- Green (519)

Approvals

