



STAINLESS STEEL ECONOMY OPEN BASE STAINLESS STEEL WORK TABLES



FEATURES:

TSLAG: Top is furnished with 1 5/8" square bend on sides and 1 5/8" sanitary rolled rim on front and rear & square sides.

TSFLAG: Top is furnished with 1 5/8" square bend on sides and 1 5/8" sanitary rolled rim on front with 1 1/2" rear splash.

TKSLAG: Top is furnished with 1 5/8" square bend on sides and 1 5/8" sanitary rolled rim on front with 5" rear splash.

Two hat-channels stud welded under tabletop to reinforce and maintain a level work surface.

CONSTRUCTION:

All TIG welded. Exposed weld areas polished to match adjacent surface. Top is sound deadened.

Roll formed embossed galvanized hat channels are secured to top by means of structural adhesive and weld studs.

Gussets welded to support hat channels.

MATERIAL:

TOP: 16 gauge stainless steel type "430" series.

LEGS: 1 5/8" diameter tubular Stainless steel. Stainless steel gussets.

1" adjustable stainless steel bullet feet.

Item #: _____ Qty #: _____
 Model #: _____
 Project #: _____



Stainless Steel Bullet Feet
Standard On
TSLAG, TSFLAG &
TKSLAG Series

TSLAG-X Series
Flat Top



TSFLAG-X Series
1 1/2" Backsplash



TKSLAG-X Series
5" Backsplash

L	Model #	WT.	Cu. Ft.	Cu. Ft.			Model #	WT.	Cu. Ft.	
				WT.	Ft.	Model #				
	FLAT TOP									
24" WIDE	24"	TSLAG-242-X	40 lbs.	4	TSFLAG-242-X	40 lbs.	4	TKSLAG-242-X	47 lbs.	7
	30"	TSLAG-240-X	50 lbs.	4	TSFLAG-240-X	50 lbs.	4	TKSLAG-240-X	58 lbs.	7
	36"	TSLAG-243-X	55 lbs.	4	TSFLAG-243-X	55 lbs.	4	TKSLAG-243-X	63 lbs.	7
	48"	TSLAG-244-X	62 lbs.	6	TSFLAG-244-X	62 lbs.	6	TKSLAG-244-X	69 lbs.	9
	60"	TSLAG-245-X	71 lbs.	7	TSFLAG-245-X	71 lbs.	7	TKSLAG-245-X	81 lbs.	11
	72"	TSLAG-246-X	84 lbs.	8	TSFLAG-246-X	84 lbs.	8	TKSLAG-246-X	92 lbs.	13
	84"	TSLAG-247-X	94 lbs.	10	TSFLAG-247-X	94 lbs.	10	TKSLAG-247-X	104 lbs.	15
	96"	TSLAG-248-X*	111 lbs.	11	TSFLAG-248-X*	111 lbs.	11	TKSLAG-248-X*	123 lbs.	17
30" WIDE	24"	TSLAG-302-X	44 lbs.	5	TSFLAG-302-X	44 lbs.	5	TKSLAG-302-X	50 lbs.	8
	30"	TSLAG-300-X	56 lbs.	5	TSFLAG-300-X	56 lbs.	5	TKSLAG-300-X	61 lbs.	8
	36"	TSLAG-303-X	62 lbs.	5	TSFLAG-303-X	62 lbs.	5	TKSLAG-303-X	65 lbs.	8
	48"	TSLAG-304-X	67 lbs.	7	TSFLAG-304-X	67 lbs.	7	TKSLAG-304-X	75 lbs.	11
	60"	TSLAG-305-X	80 lbs.	8	TSFLAG-305-X	80 lbs.	8	TKSLAG-305-X	88 lbs.	13
	72"	TSLAG-306-X	91 lbs.	10	TSFLAG-306-X	91 lbs.	10	TKSLAG-306-X	100 lbs.	16
	84"	TSLAG-307-X	103 lbs.	12	TSFLAG-307-X	103 lbs.	12	TKSLAG-307-X	112 lbs.	18
	96"	TSLAG-308-X*	121 lbs.	13	TSFLAG-308-X*	121 lbs.	13	TKSLAG-308-X*	133 lbs.	20
36" WIDE	36"	TSLAG-363-X	57 lbs.	6	TSFLAG-363-X	57 lbs.	6	NOT AVAILABLE		
	48"	TSLAG-364-X	70 lbs.	8	TSFLAG-364-X	70 lbs.	8			
	60"	TSLAG-365-X	83 lbs.	10	TSFLAG-365-X	83 lbs.	10			
	72"	TSLAG-366-X	95 lbs.	12	TSFLAG-366-X	95 lbs.	12			
	96"	TSLAG-368-X*	128 lbs.	15	TSFLAG-368-X*	128 lbs.	15			



*All 8 ft. Tables Provided With 6 Legs



Customer Service Available To Assist You 1-800-645-3166 8:30 am - 7:00 pm E.S.T.

For Orders & Customer Service:

Email: customer@advancetabco.com or Fax: 631-242-6900

For Smart Fabrication™ Quotes:

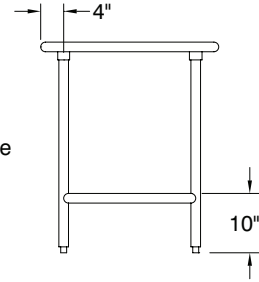
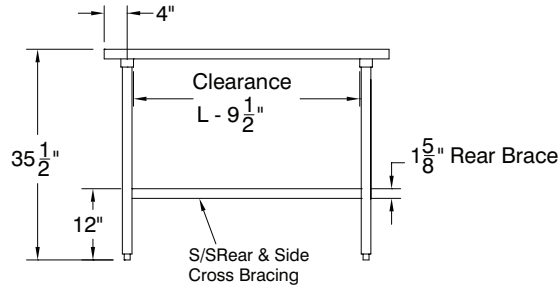
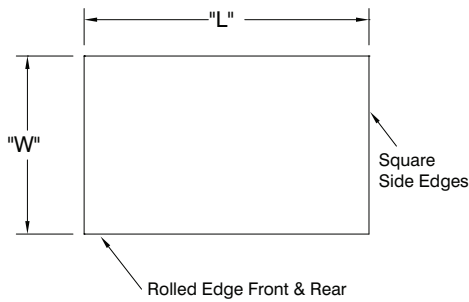
Email: smartfab@advancetabco.com or Fax: 631-586-2933

DETAILS and SPECIFICATIONS

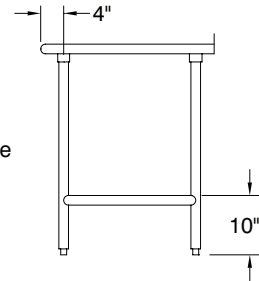
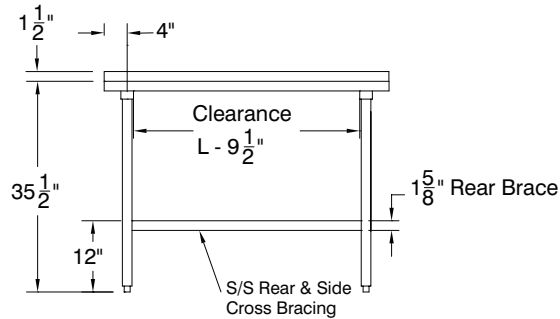
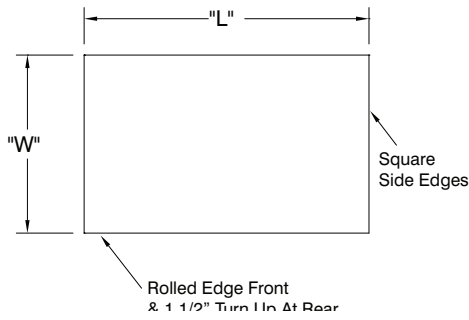
TOL \pm .500"

ALL DIMENSIONS ARE TYPICAL

TSLAG SERIES - Flat Top



TSFLAG SERIES - 1 1/2" Backsplash



TKSLAG SERIES - 5" Backsplash

