

Specification/Data sheet

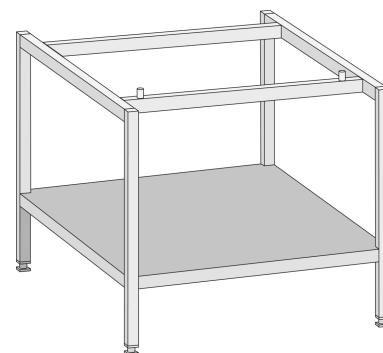
Stand UG I for Combi-Duo XS model 6 2/3



Item number: 60.31.020

Description

- The purpose of the stand is to increase the height of the Combi-Duo version XS model 6 2/3 on top of XS model 6 2/3
- All sides open
- Height-adjustable feet by up to 3 cm to compensate for unevenness of the floor
- Weight: 9 kg
- 634(25) mm(inch)B x 558(22) mm(inch)T x 555(21 7/8) mm(inch)H
- max. fixed power: 690 kg



Special feature/equipment

- none

Material

- Stainless steel grids (CNS 1.4301)

Note

- Combi-Duo XS model 6 2/3 can only be set up on top of XS model 6 2/3 on a stand

Specification/Data sheet

Stand UG I for Combi-Duo XS model 6 2/3



Vorderansicht
front view

Seitenansicht
side view

Draufsicht
top view

mm (inch)

**Zeichnungsausdruck unterliegt nicht dem Änderungsdienst !
Printed drawing is not automatically updated ! La mise à jour n'est pas assurée sur les plans papier !**

Teilbezeichnung / part name / Désignation Pcs	UG 1 Standard Combi duo		
Maßstab / Scale	1:10		
Erzeugerwerkung / document number / Sous-ensembles	623E		
Projekt / project / Project	WALK		
Dokumentnummer / document number / Numéro de pièce	84.00.866		
Volumen / Volume (lcm ³)	0655.xx		
Sondermaterial/other sheet specifications			
Artikelnr. / article number / No. DTS	60.31.020		
Abmessung / Dimensions			
634 X 558 X 570			

Technische Änderungen vorbehalten
 Technical variation reserved