



**FOOD EQUIPMENT**

*SERVING THE FOOD INDUSTRY SINCE 1951*

## EUROPEAN STYLE RESIDENTIAL PASTA SHEETER

**Item: 13234**

**Model: PM-IT-0146**



With its electric motor, the PM-IT-0146 quickly makes sheets of pasta in six different thickness and cuts it into two types of pasta: tagliatelle (2mm) and fettuccine (6.5mm). Ideal for home use.



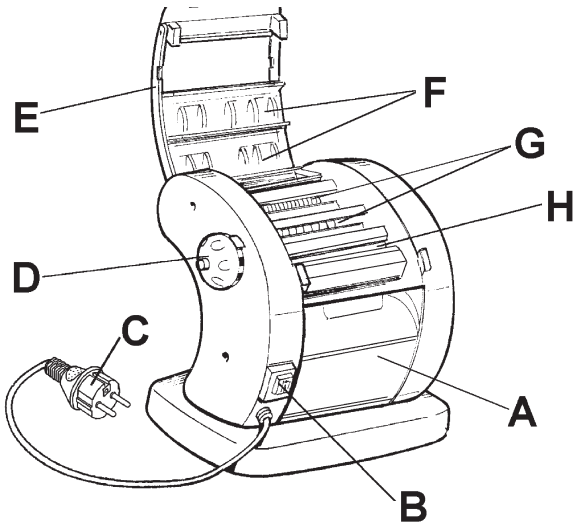
Authorized Dealer



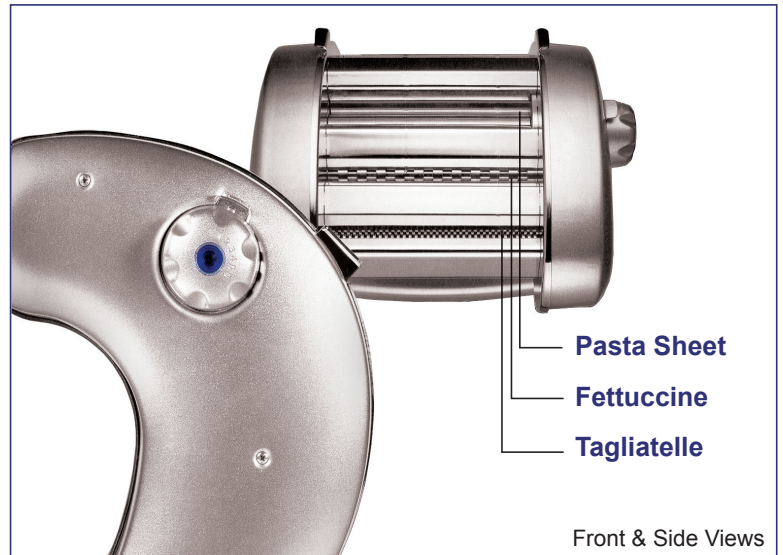
**LIMITED WARRANTY**  
PARTS AND LABOR



Parts and Descriptions



- A. Machine body
- B. Main switch
- C. Power
- D. Adjustment Knob
- E. Safety guard
- F. Mobil guards
- G. Cutter rollers
- H. Stretching Rollers

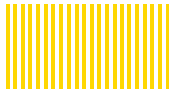


Front & Side Views

**Optional Cutters\***



**Spaghetti** Ø 2mm  
 Item 16991



**Capelli d' Angelo** 1.5mm  
 Item 16988



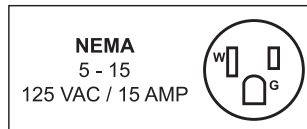
**Trenette** 4mm  
 Item 16989



**Lasagnette** 12mm  
 Item 16990

**TECHNICAL SPECIFICATION**

ITEM NUMBER	13234
MODEL	PM-IT-0146
ROLLER WIDTH	5.75" / 146 mm
MAXIMUM ROLLER OPENING	0.07" / 1.9 mm
ROLLER REVOLUTION SPEED	36 min / 48 Max.
NOMINAL POWER	85W
ELECTRICAL	120V/60Hz/1
NET WEIGHT	6 kg/ 13 lbs
GROSS WEIGHT	6.3 kg/ 14 lbs.
NET DIMENSIONS	10.5" x 8.25" x 10.5" 266.7 x 209.6 x 266.7 mm
GROSS DIMENSIONS	10" x 12" x 12" 254 x 304.8 x 304.8 mm



\*Size not exactly as shown. Other types of cutters also available - CALL for more information

**OMCAN INC.**

Telephone: 1-800-465-0234  
 Fax: (905) 607-0234  
 Email: sales@omcan.com  
 Website: www.omcan.com



Follow us to keep up to date with the latest news and offers

