

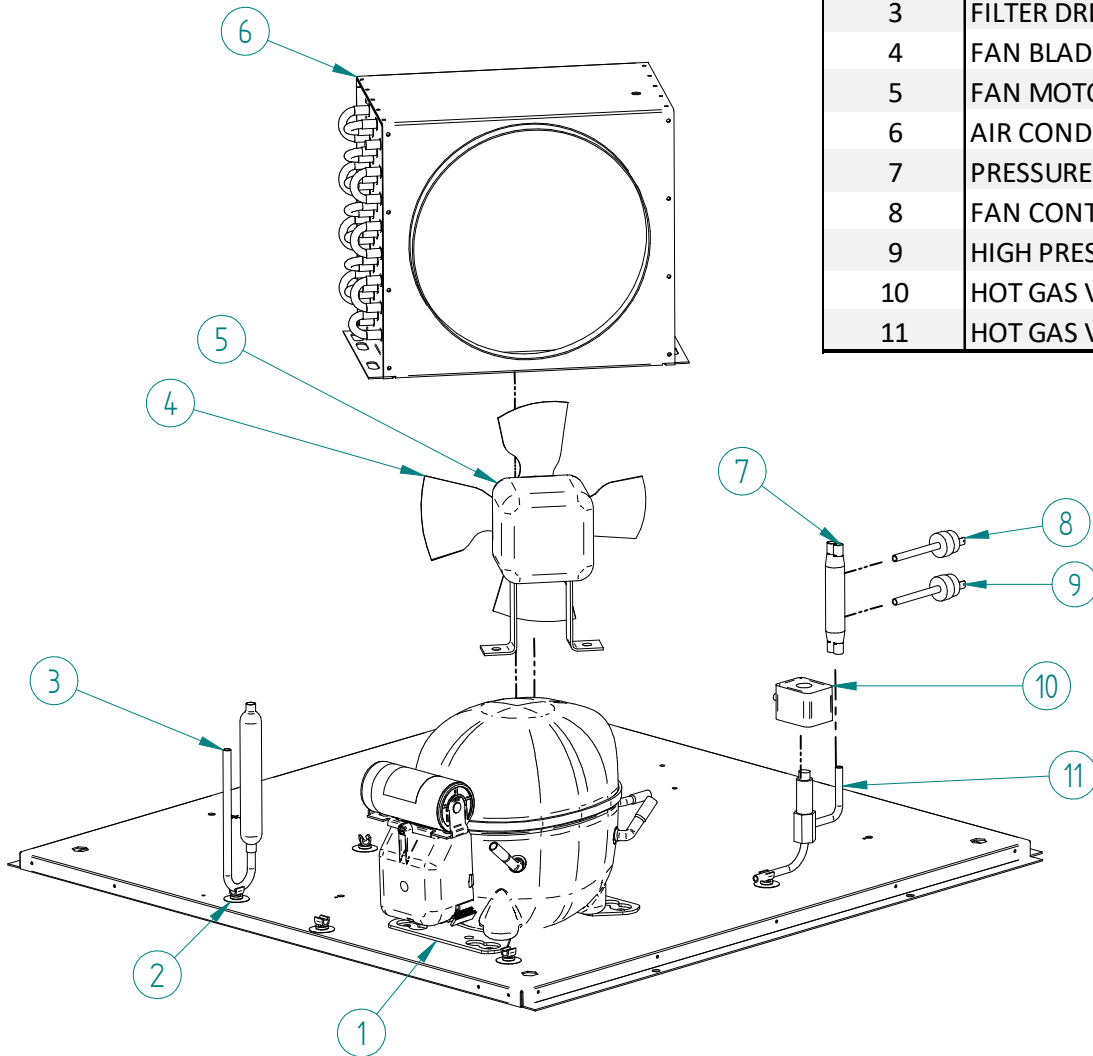
# SPIKA NG R290 UL

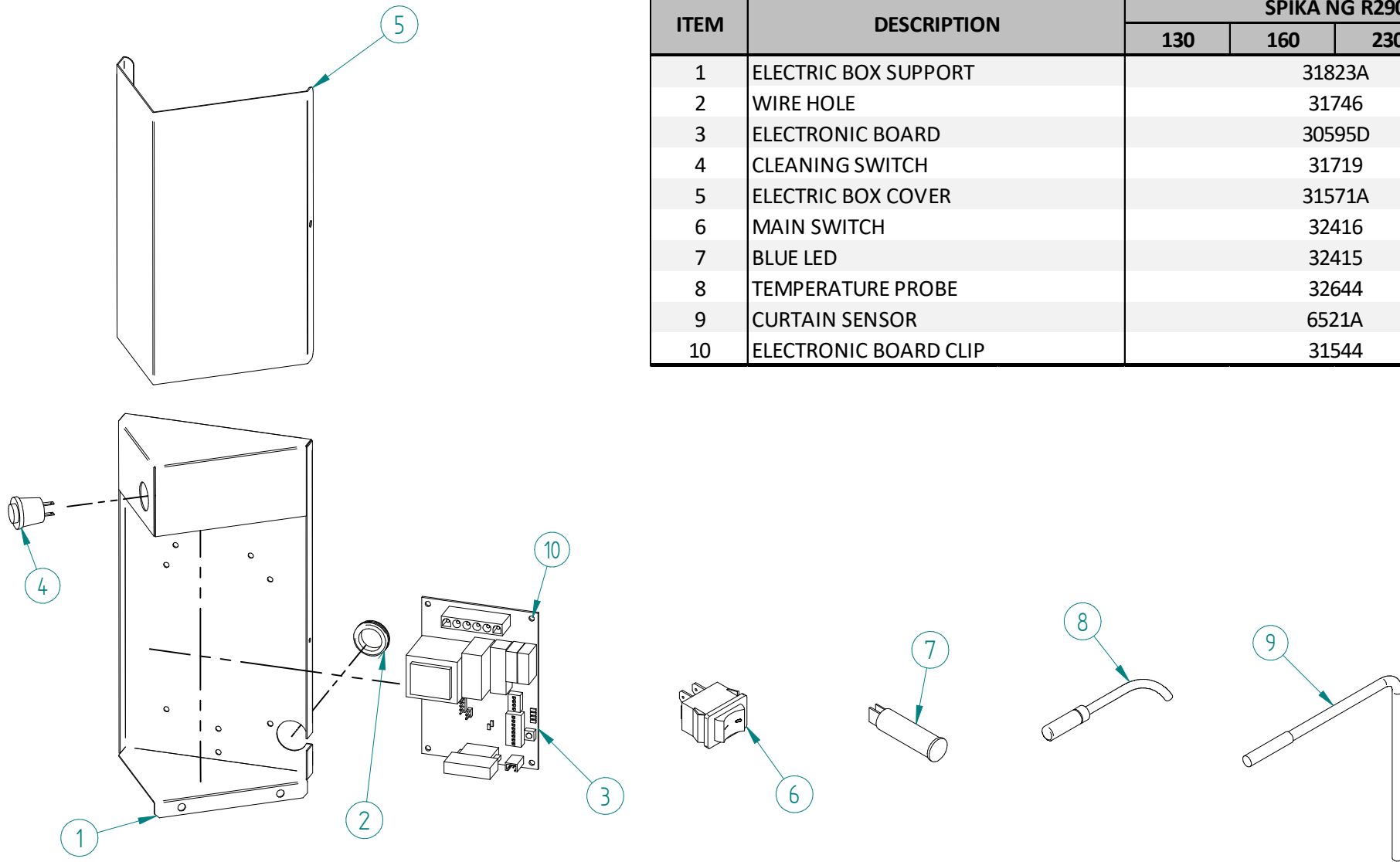
---



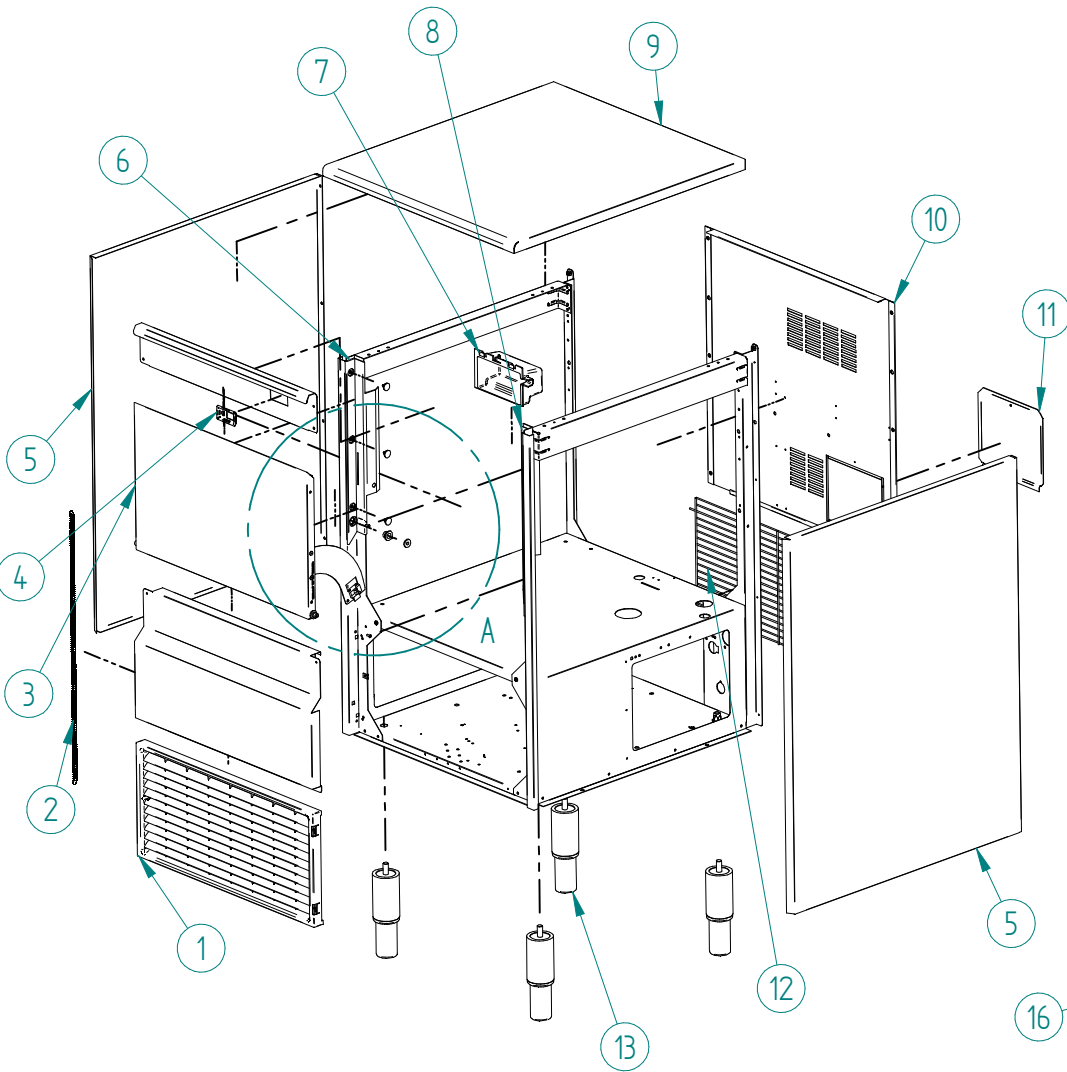
DESPIECE / REPUESTOS  
EXPLODED VIEW / SPARE PARTS  
EXPLOSIONSZEICHNUNG / ERSATZTEILE  
VUE ÉCLATÉE / PIÈCES DÉTACHÉES  
ESPLOSO / RICAMBI

ITEM	DESCRIPTION	SPIKA NG R290			
		130	160	230	360
1	COMPRESSOR	31450	31451	31452	31454
2	PLASTIC CLIP 1/4"		3533		
3	FILTER DRIER		7896		
4	FAN BLADE		4887		
5	FAN MOTOR		4890		
6	AIR CONDENSER	486		487	32251
7	PRESSURE SWITCH COLLECTOR		31444		
8	FAN CONTROL PRESSURE SWITCH		31160E		
9	HIGH PRESSURE SWITCH		31660E		
10	HOT GAS VALVE - COIL		5414		
11	HOT GAS VALVE - BODY	1468			1473

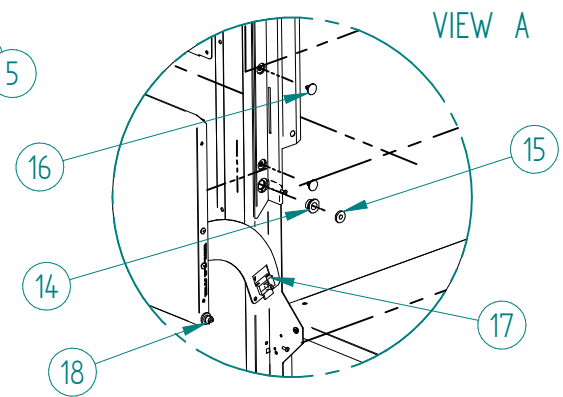


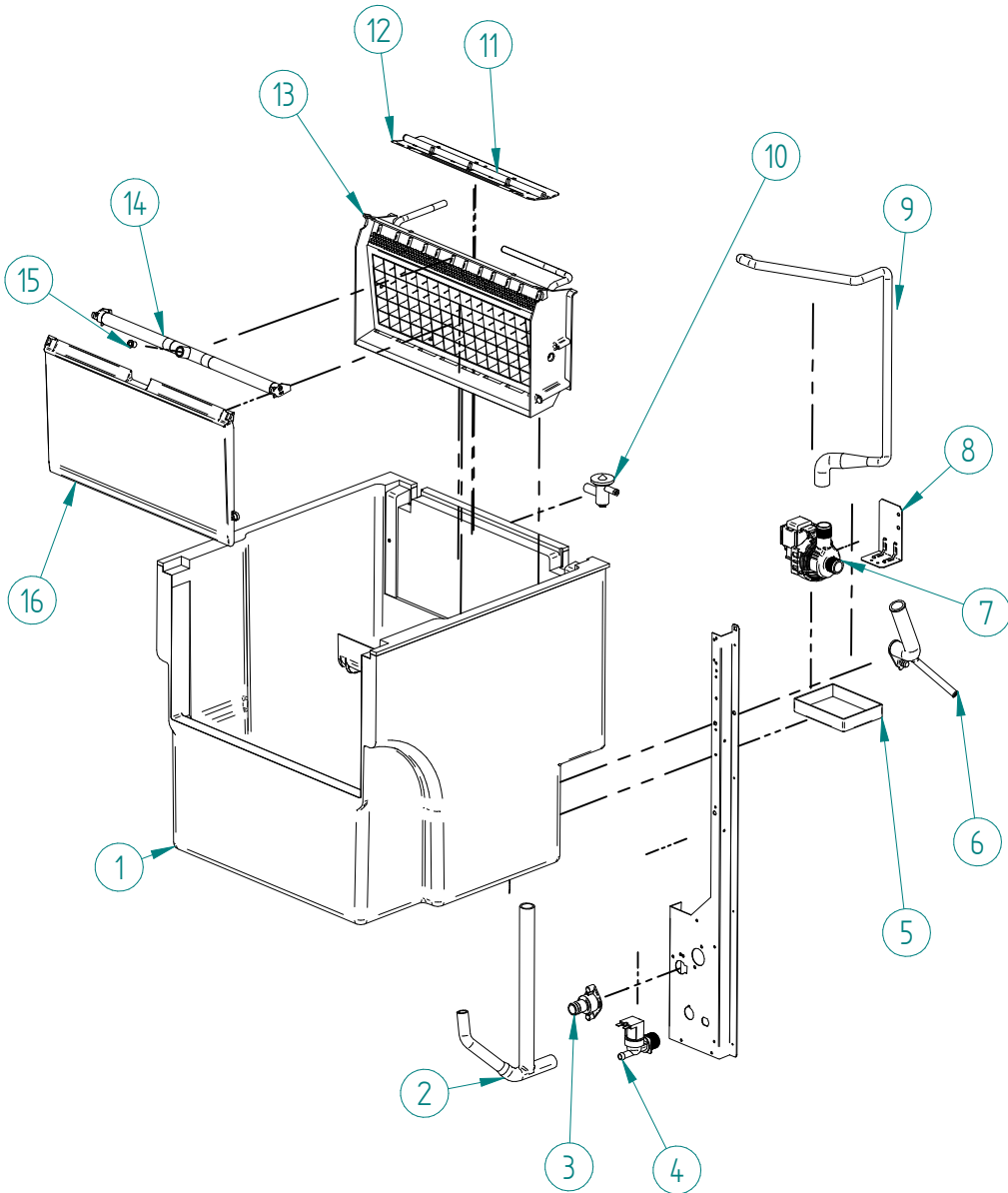
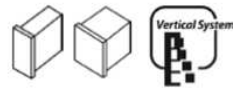


ITEM	DESCRIPTION	SPIKA NG R290			
		130	160	230	360
1	ELECTRIC BOX SUPPORT		31823A		
2	WIRE HOLE		31746		
3	ELECTRONIC BOARD		30595D		
4	CLEANING SWITCH		31719		
5	ELECTRIC BOX COVER		31571A		
6	MAIN SWITCH		32416		
7	BLUE LED		32415		
8	TEMPERATURE PROBE		32644		
9	CURTAIN SENSOR		6521A		
10	ELECTRONIC BOARD CLIP		31544		

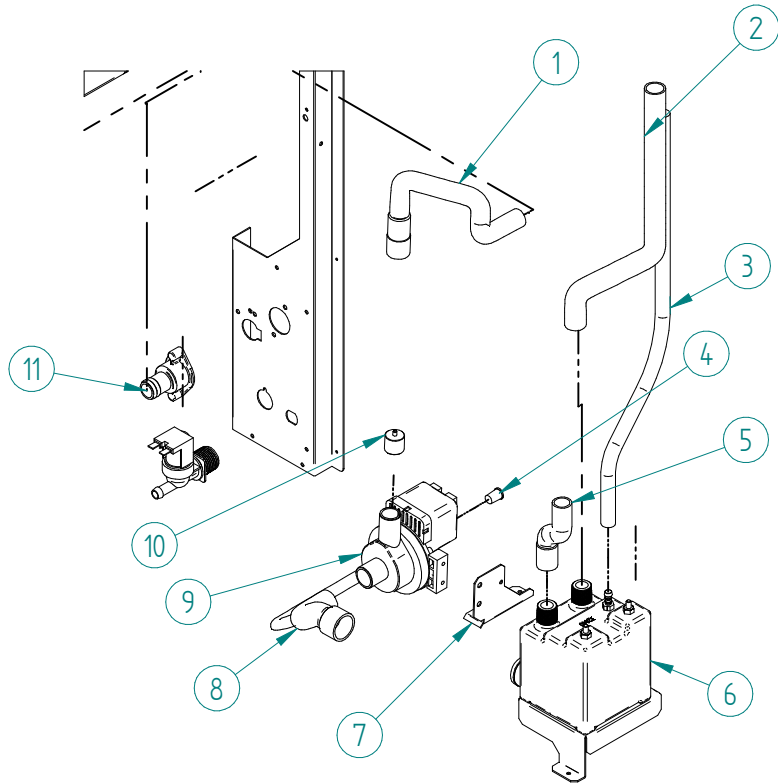
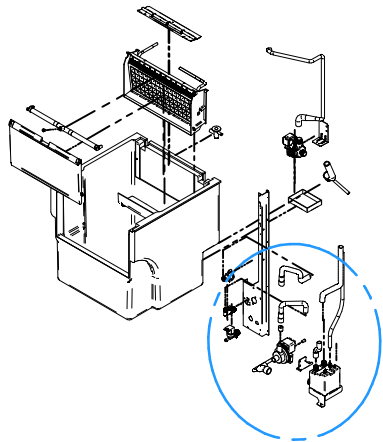


ITEM	DESCRIPTION	SPIKA NG R290			
		130	160	230	360
1	FRONT LOUVER	4186			4188
2	DOOR SPRING	702			
3	DOOR ASSEMBLY	5791		6295	6296
4	MAIN SWITCH SUPPORT	32441			
5A	RIGHT PANEL	489UA		6285	6287
5B	LEFT PANEL			6286	6288
6	LEFT DOOR GUARD	83			
7	MAIN SWITCH BOX	31665			
8	RIGHT DOOR GUARD	82			
9	TOP PANEL	4170A		6283A	6284A
10	REAR COVER	4172A		6300	6301
11	COVER PUMP	6306			
12	REAR GRILL	4088		6209	2192
13	LEG	6434			
14	DOOR AXE BEARING	1001			
15	DOOR AXE BUSHING	155			
16	CLIP	113			
17	DOOR BUMPER	156			
18	DOOR SCREW	392			





ITEM	DESCRIPTION	SPIKA NG R290			
		130	160	230	360
1	BIN	6245U		6246U	6247A
2	DRAIN TUBE		31722		
3	DRAIN FITTING		31723		
4	INLET WATER VALVE		31925		
5	WATER PUMP TRAY		4521		
6	WATER PUMP SUCTION TUBE		4961		
7	WATER PUMP		31982		
8	PUMP SUPPORT		32022		
9	WATER PUMP DISCHARGE TUBE	6126		6128	
10	EXPANSION VALVE	31521		31523	31524
11	WATER INLET TUBE	6462		-	
12	WATER INLET SUPPORT	6099		-	
13	EVAPORATOR FULL DICE ASSY	6224		6230	6236
	EVAPORATOR HALF DICE ASSY	6227		6233	6239
14	FRONT WATER DISTRIBUTOR	30041A		30039	30040
15	WATER FLOW RESTRICTOR	32006		32007	32008
16	CURTAIN	6095B		6093A	6094A



ITEM	DESCRIPTION	SPIKA NG R290			
		130	160	230	360
1	PUMP OUT DRAIN FORCE TUBE		32777		
2	DRAIN FORCE TUBE DISCHARGE WATER BIN		32453		
3	VENT TUBE		1719		
4	PLUG		614		
5	DRAIN FORCE TUBE DISCHARGE BIN		32456		
6	DRAIN FORCE BUCKET SET		32571		32625
7	DRAIN FORCE PUMP SUPPORT		32573		32786
8	DRAIN FORCE PUMP SUCTION TUBE		32455		
9	DRAIN FORCE PUMP		32623		
10	CHECK VALVE RX3/4		32451		
11	DRAIN FORCE FITTING		31723		