



# SINGLE WELL, HEAVY-DUTY, TOP MOUNT, SQUARE CORNER, RECTANGULAR, DROP-IN FOOD WARMERS

TM-43S, TM-43DS, TM-43ULS, TM-43DULS, TM-90S, TM-90DS, TM-90ULS, TM-90DULS



TM-90ULS



TM-90S

APW Wyott TM Built-In Rectangular Food Warmers are designed for top mount installation and to hold heated foods at safe and fresh serving temperatures. APW Wyott TM Series accommodates one 12" X 20" standard food pans or equivalent fractional inset pans while the 12" X 27" extra-deep models hold four-each 1/3 size pans or equivalent fractional pans. Both are designed for wet or dry operation..

One-piece stainless steel top flange and heavy gauge, deep-drawn stainless steel warming pans are standard features on all models. E-Z Locks are standard for quick and easy installation.

Individual controls for each well provide maximum versatility. Models with thermostatic or infinite controls are available. High-limits prevent overheating. Temperature-ready indicator lights are standard on all control types. Powerful tubular heating elements are located under the warming pans for quick and efficient heating and for even heat distribution.

## OPTIONS

- Drains
- Thermostatic controls
- Infinite controls
- Optional 72" wiring
- Drain screens
- Drain valve extension kit, extension from drain to counter front with remote handle

## WARRANTY

- 1-Year Limited Parts & 1-Year Limited Labor Warranty

## CERTIFICATIONS

Certified by the following agencies:



## FEATURES AT A GLANCE

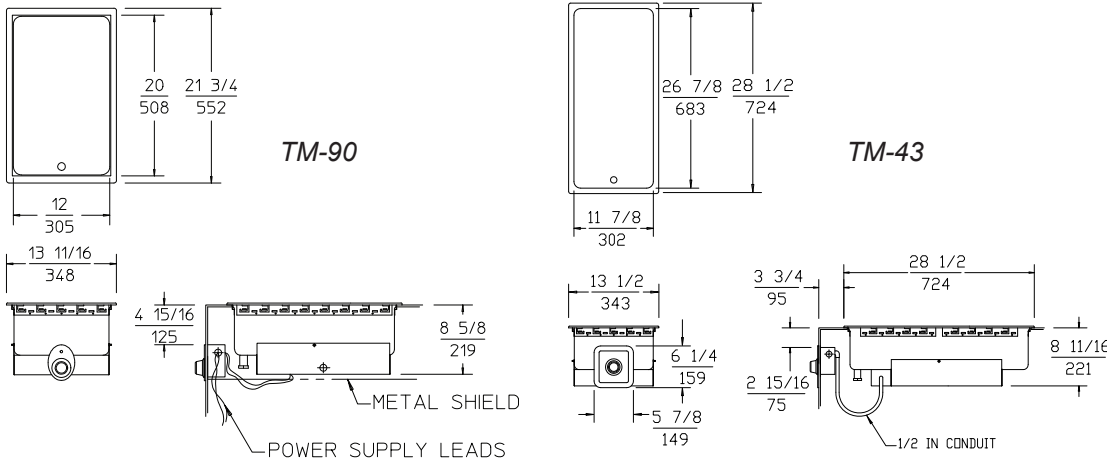
- TM-90 models accommodate one 12" X 20" standard inset pans or equivalent fractional pans
- TM-43 models accommodate 4 - 1/3-size pans or equivalent fractional pans
- One-piece stainless steel top flange and heavy-gauge, deep drawn stainless steel warming pans
- Suitable for wet or dry operation (wet recommended for best results)
- Thermostatic controls
- Separate controls for each individual well
- High limits prevent overheating
- Thermostatic controls are recessed in a one-piece, drawn, front-mounted panel
- E-Z Locks are standard for ease of installation
- Powerful tubular heating elements
- 1/2" drains available
- E-Z Lock extension kit



# SINGLE WELL, HEAVY-DUTY, BOTTOM MOUNT, SQUARE CORNER RECTANGULAR DROP-IN FOOD WARMERS

TM-43S, TM-43DS, TM-43ULS, TM-43DULS, TM-90S, TM-90DS, TM-90ULS, TM-90DULS

## EQUIPMENT DIMENSIONS



## REQUIRED CLEARANCES

Left	2" (51mm)
Back	2" (51mm)
Right	2" (51mm)
Bottom	6 3/4" (171mm)
Front	4 1/8" (105mm)

## MECHANICAL SPECIFICATIONS

Model #	Drain	Watts	Voltage	Phase	Amps	Overall Dimensions	Control Panel	Ship Weight	Crate Size	Approvals
						Width x Depth x Height (inches / mm)	Dimensions Width x Height (inches / mm)		(Cubic Meters)	
TM-90S-120	No	1200	120	1	10	13.69" x 21.75" x 8.63" (346 x 552 x 219)	5.88 x 6.25 (149 x 159)	16 (7)	2.9 (0.082)	
TM-90S	No	900 1200	208 240	1	4.3 5	13.69" x 21.75" x 8.63" (346 x 552 x 219)	5.88 x 6.25 (149 x 159)	16 (7)	2.9 (0.082)	
TM-90ULS-120	Yes	1650	120	1	13.8	13.69" x 21.75" x 8.63" (346 x 552 x 219)	5.88 x 6.25 (149 x 159)	20 (9)	4.15 (0.117)	
TM-90ULS	Yes	1240 1650	208 240	1	6 6.9	13.69" x 21.75" x 8.63" (346 x 552 x 219)	5.88 x 6.25 (149 x 159)	20 (9)	4.15 (0.117)	
TM-90DS-120	Yes	1200	120	1	10	13.69" x 21.75" x 8.63" (346 x 552 x 219)	5.88 x 6.25 (149 x 159)	16 (7)	2.9 (0.082)	
TM-90DS	Yes	900 1200	208 240	1	4.3 5.0	13.69" x 21.75" x 8.63" (346 x 552 x 219)	5.88 x 6.25 (149 x 159)	16 (7)	2.9 (0.082)	
TM-90DULS-120	Yes	1650	120	1	13.8	13.69" x 21.75" x 8.63" (346 x 552 x 219)	5.88 x 6.25 (149 x 159)	21 (10)	4.15 (0.117)	
TM-90DULS	Yes	1240 1650	208 240	1	6 6.9	13.69" x 21.75" x 8.63" (346 x 552 x 219)	5.88 x 6.25 (149 x 159)	21 (10)	4.15 (0.117)	
TM-43ULS-120	No	1650	120	1	13.8	13.69" x 28.50" x 8.69" (346 x 724 x 221)	5.88 x 6.25 (149 x 159)	22 (10)	3.85 (0.109)	
TM-43DULS-120	Yes	1650	120	1	13.8	13.69" x 28.50" x 8.69" (346 x 724 x 221)	5.88 x 6.25 (149 x 159)	22 (10)	3.85 (0.109)	
TM-43DULS	Yes	1240 1650	208 240	1	6 6.9	13.69" x 28.50" x 8.69" (346 x 724 x 221)	5.88 x 6.25 (149 x 159)	22 (10)	3.85 (0.109)	

Freight Class: 100  
 FOB: Smithville, 37166

APW Wyott reserves the right to modify specifications or discontinue models without incurring obligation. Dimensions nominal.

