



Chest Freezer
Model FR-CN-0255
Item 44428
Instruction Manual



Revised - 11/23/2020



Toll Free: 1-800-465-0234
Fax: 905-607-0234
Email: service@omcan.com
www.omcan.com

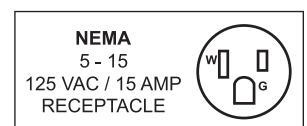


Table of Contents

Model FR-CN-0255

Section	Page
Disclaimer -----	3
General Information -----	4 - 5
Safety and Warranty -----	5 - 7
Technical Specifications -----	7
Installation -----	7 - 8
Operation -----	8 - 9
Maintenance -----	9 - 10
Troubleshooting -----	10 - 11
Parts Breakdown -----	11 - 12
Electrical Schematics -----	13
Notes -----	14
Warranty Registration -----	15

Disclaimer

OMCAN IS NOT RESPONSIBLE FOR ANY DAMAGES DUE TO WATER LEAKS. WARRANTY FOR WATER LEAKS IS VOID IF THE AMBIENT ROOM TEMPERATURE EXCEEDS 75°F AND 55% RELATIVE HUMIDITY, AND THE APPLIANCE DRAIN IS NOT CONNECTED DIRECTLY TO A FLOOR DRAIN.

General Information

Omcan Manufacturing and Distributing Company Inc., Food Machinery of America, Inc. dba Omcan and Omcan Inc. are not responsible for any harm or injury caused due to any person's improper or negligent use of this equipment. The product shall only be operated by someone over the age of 18, of sound mind, and not under the influence of any drugs or alcohol, who has been trained in the correct operation of this machine, and is wearing authorized, proper safety clothing. Any modification to the machine voids any warranty, and may cause harm to individuals using the machine or in the vicinity of the machine while in operation.

CHECK PACKAGE UPON ARRIVAL

Upon receipt of an Omcan shipment please inspect for external damage. If no damage is evident on the external packaging, open carton to ensure all ordered items are within the box, and there is no concealed damage to the machine. If the package has suffered rough handling, bumps or damage (visible or concealed), please note it on the bill of lading before accepting the delivery and contact Omcan within 24 hours, so we may initiate a claim with the carrier. A detailed report on the extent of the damage caused to the machine must be filled out within three days, from the delivery date shown in the shipping documents. Omcan has no recourse for damaged products that were shipped collect or third party.

Before operating any equipment, always read and familiarize yourself with all operation and safety instructions.

Omcan would like to thank you for purchasing this machine. It's of the utmost importance to save these instructions for future reference. Also save the original box and packaging for shipping the equipment if servicing or returning of the machine is required.

Omcan Fabrication et distribution Compañie Limité et Food Machinery d'Amérique, dba Omcan et Omcan Inc. ne sont pas responsables de tout dommage ou blessure causé du fait que toute personne ait utilisé cet équipement de façon irrégulière. Le produit ne doit être exploité que par quelqu'un de plus de 18 ans, saine d'esprit, et pas sous l'influence d'une drogue ou d'alcool, qui a été formé pour utiliser cette machine correctement, et est vêtu de vêtements de sécurité approprié. Toute modification de la machine annule toute garantie, et peut causer un préjudice à des personnes utilisant la machine ou des personnes à proximité de la machine pendant son fonctionnement.

VÉRIFIEZ LE COLIS DÈS RÉCEPTION

Dès réception d'une expédition d'Omcan veuillez inspecter pour dommages externes. Si aucun dommage n'est visible sur l'emballage externe, ouvrez le carton afin de s'assurer que tous les éléments commandés sont dans la boîte, et il n'y a aucun dommage dissimulé à la machine. Si le colis n'a subi aucune mauvaises manipulations, de bosses ou de dommages (visible ou cachée), notez-le sur le bond de livraison avant d'accepter la livraison et contactez Omcan dans les 24 heures qui suivent, pour que nous puissions engager une réclamation auprès du transporteur. Un rapport détaillé sur l'étendue des dommages causés à la machine doit être rempli dans un délai de trois jours, à compter de la date de livraison indiquée dans les documents d'expédition. Omcan n'a aucun droit de recours pour les produits endommagés qui ont été expédiés ou cueilli par un tiers transporteur.

General Information

Avant d'utiliser n'importe quel équipement, toujours lire et vous familiariser avec toutes les opérations et les consignes de sécurité.

Omcan voudrais vous remercier d'avoir choisi cette machine. Il est primordial de conserver ces instructions pour une référence ultérieure. Également conservez la boîte originale et l'emballage pour l'expédition de l'équipement si l'entretien ou le retour de la machine est nécessaire.

Omcan Empresa De Fabricacion Y Distribucion Inc. Y Maquinaria De Alimentos De America, Inc. dba Omcan y Omcan Inc. no son responsables de ningun daño o perjuicio causado por cualquier persona inadecuada o el uso descuidado de este equipo. El producto solo podra ser operado por una persona mayor de 18 años, en su sano juicio y no bajo alguna influencia de droga o alcohol, y que este ha sido entrenado en el correcto funcionamiento de esta máquina, y ésta usando ropa apropiada y autorizada. Cualquier modificación a la máquina anula la garantía y puede causar daños a las personas usando la máquina mientras esta en el funcionamiento.

REVISE EL PAQUETE A SU LLEGADA

Tras la recepcion de un envio Omcan favor inspeccionar daños externos. Si no hay daños evidentes en el empaque exterior, Habra el carton para asegurarse que todos los articulos solicitados estén dentro de la caja y no encuentre daños ocultos en la máquina. Si el paquete ha sufrido un manejo de poco cuidado, golpes o daños (visible o oculto) por favor anote en la factura antes de aceptar la entrega y contacte Omcan dentro de las 24 horas, de modo que podamos iniciar una reclamación con la compañía. Un informe detallado sobre los daños causados a la máquina debe ser llenado en el plazo de tres días, desde la fecha de entrega que se muestra en los documentos de envío. Omcan no tiene ningun recurso por productos dañados que se enviaron a recoger por terceros.

Antes de utilizar cualquier equipo, siempre lea y familiarizarse con todas las instrucciones de funcionamiento y seguridad.

Omcan le gustaría darle las gracias por la compra de esta máquina. Es de la mayor importancia para salvar estas instrucciones para futuras consultas. Además, guarda la caja original y el embalaje para el envío del equipo si servicio técnico o devolución de la máquina que se requiere.

Safety and Warranty

BEFORE USING YOUR APPLIANCE

SAFETY INSTRUCTIONS

- After installation make sure that the power cable is not trapped underneath the appliance. Please read this booklet thoroughly before installing and switching on the appliance. The manufacturer accepts no responsibility for incorrect installation and use.
- If this appliance is to replace an old one equipped with a lock, break or remove the lock as a safety

Safety and Warranty

measure to avoid children becoming trapped inside.

- Do not damage the refrigerant circuit. In the event that the refrigerant circuit is damaged, avoid open flames or ignition sources and ventilate the room in which the unit is placed – do not use the appliance until you have been advised to do so by a service engineer.
- Do not allow children to play with the appliance. Children must never sit in the drawers or hang from the door.
- Do not plug this appliance into an extension cord.
- Do not use old or damaged power supply cables.
- Do not twist, bend or trap the cable. Cables should also be kept clear of heat sources.
- When plugging in the appliance, always make sure that your hands are dry.
- Your old appliances contain insulation gases and refrigerant that must be disposed of properly. Please contact your local authority for information about recycling centres. Do not dispose of this appliance with household waste.

WARNINGS

- **WARNING:** This appliance is not intended for use by persons (including children) with reduced physical, sensory or mental capabilities, or lack of experience and knowledge, unless they have been given supervision or instruction concerning use of the appliance by a person responsible for their safety. Children should be supervised to ensure that they do not play with the appliance.
- Do not defrost the appliance with other electrical devices (i.e. hair dryer) or any artificial means and do not use sharp metal objects to remove the ice on the freezer, as this could cause damage to the refrigerant system.
- Do not operate any electrical appliances inside the refrigerator or freezer.
- **WARNING:** Do not place bottles (glass or plastic) containing liquids (especially effervescent liquids) into the freezer as they could cause the bottle to burst during freezing.
- **WARNING:** Do not store explosive substances such as aerosol cans with a flammable propellant in this appliance.
- **WARNING:** Do not damage the refrigerant circuit.
- **WARNING:** Keep ventilation openings, in the appliance enclosure or in the built-in structure, clear of obstruction.
- Do not touch the cooling surfaces while the appliance operates, especially with wet hands, because the skin may stick to cold surfaces.
- Do not eat ice which has just been removed from the freezer as this can cause freezer burns to the hands and tongue.

1 YEAR PARTS AND LABOUR WARRANTY

Within the warranty period, contact Omcan Inc. at 1-800-465-0234 to schedule an Omcan authorized service technician to repair the equipment locally.

Unauthorized maintenance will void the warranty. Warranty covers electrical and part failures, not improper use.

Please see <https://omcan.com/disclaimer> for complete info.

Safety and Warranty

WARNING:

The packaging components are classified as normal solid urban waste and can therefore be disposed of without difficulty.

In any case, for suitable recycling, we suggest disposing of the products separately (differentiated waste) according to the current norms.

DO NOT DISCARD ANY PACKAGING MATERIALS IN THE ENVIRONMENT!

Technical Specifications

Model	FR-CN-0255
Power	0.1 kW
Freezer Capacity	246.4 L / 8.7 cu. ft.
Number of Doors	1
Number of Baskets Included	1
Maximum Basket Capacity	4
Temperature Range	≤ -18°C / ≤ -0.4°F
Refrigerant	R600a
Electrical	110V / 60Hz / 1
Weight	114.6 lbs. / 52 kgs.
Packaging Weight	128 lbs. / 58 kgs.
Dimensions	22" x 45.8" x 33" / 559 x 1163 x 836mm
Packaging Dimensions	23" x 47.6" x 34.6" / 584 x 1209 x 879mm
Item Number	44428

Installation

- Install and level the appliance on a surface able to take its weight and in a place suitable for its size and use.
- Insert the plug into a socket which is appropriate. This appliance has a plug already fitted – if the plug is not suitable for your socket we suggest that you call an authorized electrician for assistance. If the plug is damaged in any way – do not attempt to use it. It must be replaced with a new plug.
- Do not install the appliance in direct sunlight and close to heat sources. Do not allow the appliance to be exposed to rain.

Installation

- Choose a well ventilated area. There should be at least 10 cm of open space along the sides, top, and back of the freezer.
- Before switching on place the appliance in an upright position and wait at least three hours without moving the appliance. This will give the refrigerant circuit time to settle and operate efficiently.
- Install the appliance in a dry and well-ventilated place. The appliance is for use in places within the temperature ranges defined according to the climatic class given on the Data Label located on the back of the product. The appliance may not operate consistently.
- If the appliance is installed next to another refrigerator or freezer, observe the minimum distance of 10cm to avoid condensation.
- The manufacturer is not responsible for failure to complete installation as described in this guide.

This appliance is intended for use in households but is not intended to be used in applications such as:

- Staff kitchen areas in shops, offices and other working environments.
- Farm houses and by clients in hotels, motels and other residential type environments.
- Bed and breakfast type environments.
- Catering and similar non-retail applications.

Operation

THE FUNCTION OF THE PANEL

- Your refrigerator has one control for regulating the temperature. The temperature control is located on the lower right hand corner.
- The first time you turn the unit on, turn the temperature control knob in a clockwise direction to the maximum setting “7” and run for at least 2 hours before putting frozen foods inside. This will ensure the cabinet is thoroughly chilled before food is put in.
- The range of the temperature control is from position “1” the warmest to “7” the coldest. should be correct for home or office refrigerator use.
- To turn the refrigerator off, turn the temperature control to “0”.
- Red light: Power on.

NOTE:

- Turning the temperature control to “0” position stops the cooling cycle but does not shut off the power to the refrigerator.
- If the unit is unplugged, lost power, or turned off; you must wait 3 to 5 minutes before restarting the unit. If you attempt to restart before this time delay, the refrigerator will not start.
- Large amounts of food will lower the cooling efficiency of the appliance.
- If you choose to change the thermostat setting, adjust thermostat control by one numerical increment at a time. Allow several hours for temperature to stabilize between adjustments.

TEMPERATURE ADJUSTMENT/OPERATION

- The appliance temperature can be adjusted by turning the thermostat on the Control Panel.
- The thermostat should be adjusted according to different environment temperature and the quantity of food being stored by adjusting the knob of the thermostat. The knob rotates clockwise from “1” to “7”. The setting should be reduced down in summer (anti-clockwise rotation) and up in winter (clockwise rotation). The thermostat is set to a certain point before leaving the factory, this is the optimum setting for the product.
- If a large amount of fresh food is placed in the appliance for freezing the thermostat should be turned up for a period of 4-6 hours, after this period it should be returned to its initial setting.
- The green lamp is a power indicating lamp. When the power is on, the lamp will be on.
- Once power is cut off, wait for at least 5 minutes before plugging in again to avoid damaging the compressor or the system.

FOOD STORAGE IN THE APPLIANCE

- The use of a freezer is for freezing fresh food and storing frozen food for long periods of time and making ice cubes.
- Do not put fresh or warm food with frozen food side by side as it can thaw the frozen food.
- While freezing fresh food (i.e. meat, fish etc) divide them into smaller portions, this will allow you to defrost only the food you need.
- For storing frozen food; the instructions shown on frozen food packages should always be followed carefully, if no information is provided food should not be stored for more than 3 months from the purchased date.
- When buying frozen food; ensure that these have been frozen at suitable temperatures and that the packing is intact.
- Frozen food should be transported in appropriate containers to maintain the quality of the food and should be placed into the freezer as soon as possible.
- If a package of frozen food shows signs of humidity and abnormal swelling it is probable that it has been previously stored at an unsuitable temperature and that the contents have deteriorated. Do not use this food, dispose of it as soon as possible.
- The storage life of frozen food depends on the room temperature, thermostat setting, how often the door is opened, the type of food and the length of time required to transport the product from the shop to your home. Always follow the instructions printed on the package and never exceed the maximum storage life indicated.

Maintenance

DEFROSTING AND CLEANING

- Defrost twice a year or when a frost layer of around 7 mm (1/4”) has formed. To start defrosting procedure switch off the freezer at the socket outlet and pull out the mains plug.

Maintenance

- All food should be wrapped in several layers of newspaper and stored in a cool place (e.g. fridge or larder).
- Containers full of warm water may be placed carefully in the freezer to speed up the defrosting.
- Do not use pointed or sharp edged objects such as knives, forks to remove the frost.
- Never use hairdryers, electrical heaters and other similar electrical appliances for defrosting.
- When defrosting has finished, sponge out any defrost water which collects at the bottom of the freezer and dry the interior thoroughly.
- You can wipe the inner and outer sides with a soft cloth or a sponge using warm and soapy water.
- Do not wash your freezer by pouring water into it.
- Never use flammable, explosive or corrosive material like thinner, gas, acid for cleaning.
- Make sure that your freezer remains unplugged while cleaning.
- Once defrosting/cleaning has been completed, plug in the appliance and return to its temperature setting.

Troubleshooting

Problem	Possible Causes		Solutions	Remarks
Compressor does not work.	Power is off.	The fuse is broken.	Replace the fuse.	If it is necessary please contact after-sales service for repair.
		The connection between plug and socket is not good.	Repair or replace the socket.	
		The circuit of input and output is out of use.	Check the circuit with electric instrument.	
	The thermostat knob is not in the proper position.		Rotate the thermostat to the proper position.	Ask for professional help.

Troubleshooting

Compressor keeps on working.	The temperature inside is too high.	Frost on the evaporator is too thick.	Defrost regularly.	
		The door is being opened too frequently.	Reduce the times of opening.	
		Too much food has been stored at once.	Take out some of the food.	
	The temperature inside is OK.	The ambient temperature is too high. While the thermostat indicates a small number.	Adjust the thermostat knob.	The thermostat knob on "2-4" is better (or proper).
		The thermostat does not work.	Replace the thermostat.	Ask for after-sales service.
Too noisy	The floor is not level.		Put pad under the castors.	
	The screw in fan or condenser is loose.		Rotate the fixed screw.	
	The refrigerating circuits touch each other.		Separate them.	

The following situations are not problems:

1. The murmur of water is heard when the refrigerator is working. This is normal as the coolant is circulating in the system.
2. During wet season, condensation may be found on the outside of the refrigerator. This is not a problem, this is caused by high humidity. Simply use a cloth to wipe it.

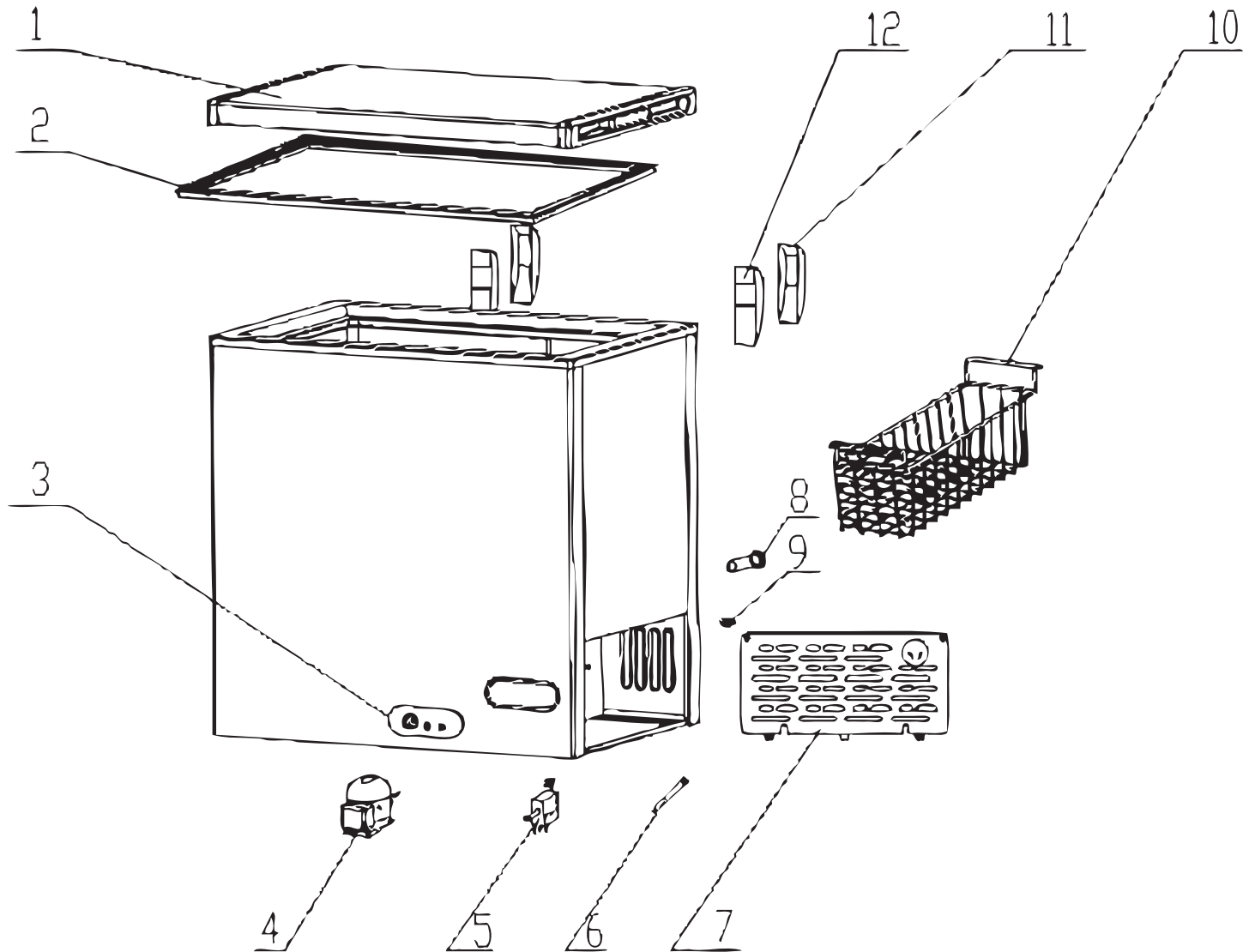
Parts Breakdown

Model FR-CN-0255 44428

Item No.	Description	Position	Item No.	Description	Position	Item No.	Description	Position
69404	Door Assembly (including Gasket) for 44428	1	69408	Thermostat for 44428	5	69412	Inner Drain Plug for 44428	9
69405	Sealing Gasket for 44428	2	69409	Filter for 44428	6	69413	Basket for 44428	10
69406	Control Panel for 44428	3	69410	Compressor Apartment Cover for 44428	7	69414	Hinge Cover for 44428	11
69407	Compressor with Accessories for 44428	4	69411	Outer Drain Plug for 44428	8	69415	Door Hinge for 44428	12

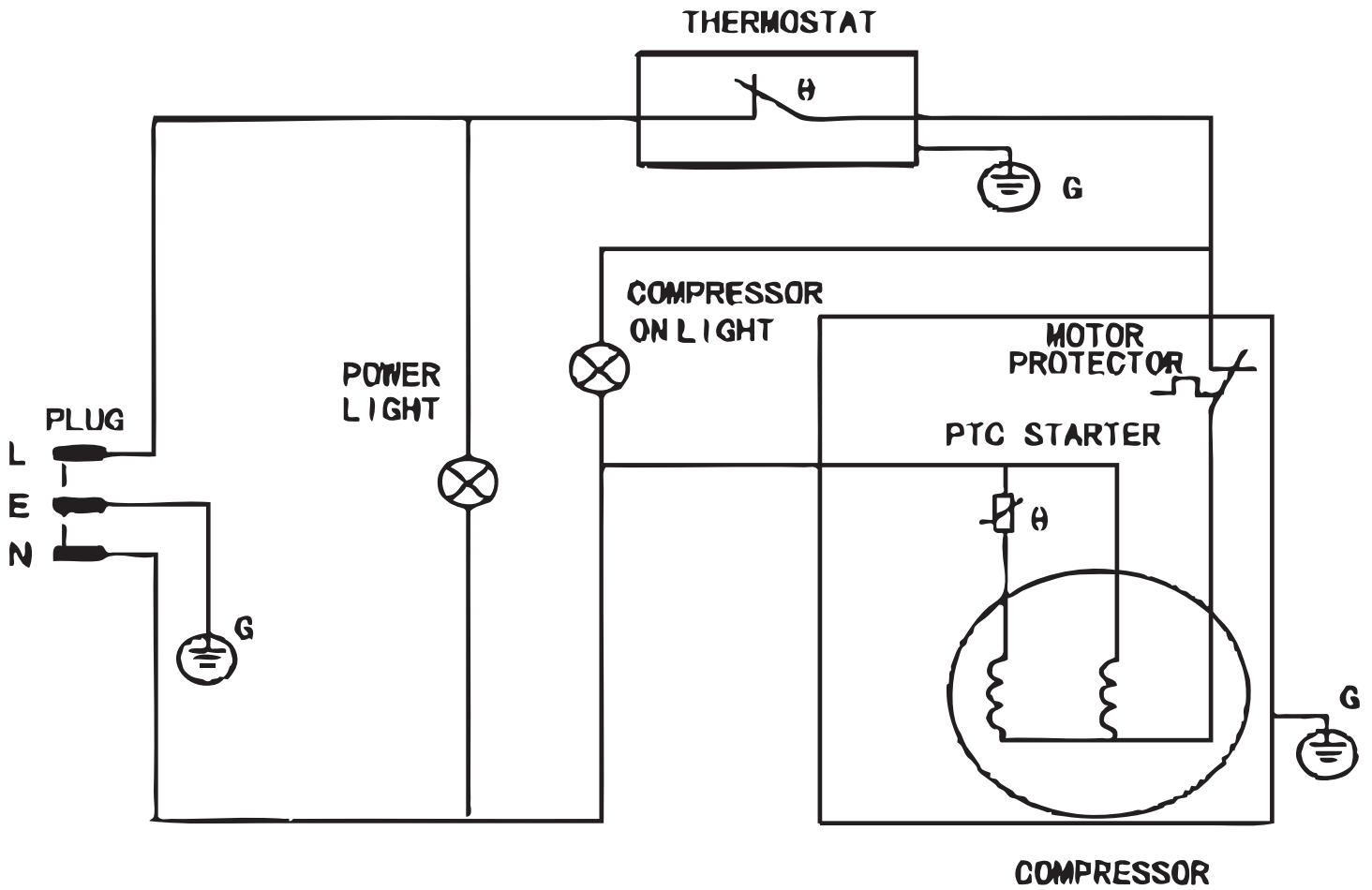
Parts Breakdown

Model FR-CN-0255 44428



Electrical Schematics

Model FR-CN-0255 44428





Warranty Registration

Thank you for purchasing an Omcan product. To register your warranty for this product, complete the information below, tear off the card at the perforation and then send to the address specified below. You can also register online by visiting:

Merci d'avoir acheté un produit Omcan. Pour enregistrer votre garantie pour ce produit, complétez les informations ci-dessous, détachez la carte au niveau de la perforation, puis l'envoyer à l'adresse spécifiée ci-dessous. Vous pouvez également vous inscrire en ligne en visitant:

Gracias por comprar un producto Omcan usted. Para registrar su garantía para este producto, complete la información a continuación, cortar la tarjeta en la perforación y luego enviarlo a la dirección indicada a continuación. También puede registrarse en línea en:

<https://omcan.com/warranty-registration/>

For mailing in Canada

Pour postale au Canada

Por correo en Canadá

OMCAN

PRODUCT WARRANTY REGISTRATION

3115 Pepper Mill Court,

Mississauga, Ontario

Canada, L5L 4X5

For mailing in the US

Pour diffusion aux États-Unis

Por correo en los EE.UU.

OMCAN

PRODUCT WARRANTY REGISTRATION

4450 Witmer Industrial Estates, Unit 4,

Niagara Falls, New York

USA, 14305

or email to: service@omcan.com



Purchaser's Information

Name: _____

Address: _____

City: _____ Province or State: _____ Postal or Zip: _____

Country: _____

Dealer from which Purchased: _____

Dealer City: _____ Dealer Province or State: _____

Invoice: _____

Model Name: _____ Model Number: _____

Machine Description: _____

Date of Purchase (MM/DD/YYYY): _____

Would you like to extend the warranty? Yes No

Company Name: _____

Telephone: _____

Email Address: _____

Type of Company:

Restaurant Bakery Deli

Butcher Supermarket Caterer

Institution (*specify*): _____

Other (*specify*): _____

Serial Number: _____

Date of Installation (MM/DD/YYYY): _____

Thank you for choosing Omcan | Merci d'avoir choisi Omcan | Gracias por elegir Omcan



Since 1951 Omcan has grown to become a leading distributor of equipment and supplies to the North American food service industry. Our success over these many years can be attributed to our commitment to strengthen and develop new and existing relationships with our valued customers and manufacturers. Today with partners in North America, Europe, Asia and South America, we continually work to improve and grow the company. We strive to offer customers exceptional value through our qualified local sales and service representatives who provide convenient access to over 5,000 globally sourced products.

Depuis 1951 Omcan a grandi pour devenir un des “leaders” de la distribution des équipements et matériel pour l’industrie des services alimentaires en Amérique du Nord. Notre succès au cours de ces nombreuses années peut être attribué à notre engagement à renforcer et à développer de nouvelles et existantes relations avec nos clients et les fabricants de valeur. Aujourd’hui avec des partenaires en Amérique du Nord, Europe, Asie et Amérique du Sud, nous travaillons continuellement à améliorer et développer l’entreprise. Nous nous efforçons d’offrir à nos clients une valeur exceptionnelle grâce à nos ventes locales qualifiées et des représentants de service qui offrent un accès facile à plus de 5000 produits provenant du monde entier.

Desde 1951 Omcan ha crecido hasta convertirse en un líder en la distribución de equipos y suministros de alimentos en América del Norte industria de servicios. Nuestro éxito en estos años se puede atribuir a nuestro compromiso de fortalecer y desarrollar nuevas relaciones existentes con nuestros valiosos clientes y fabricantes. Hoy con socios de América del Norte, Europa, Asia y América del Sur, que trabajan continuamente para mejorar y crecer la empresa. Nos esforzamos por ofrecer a nuestros clientes valor excepcional a través de nuestro local de ventas y representantes de los servicios que proporcionan un fácil acceso a más de 5,000 productos con origen a nivel mundial.

