



460 Southport Commerce Blvd.  
 Spartanburg SC 29306  
 Phone: 864-574-6004  
 Fax: 864-574-6005  
 www.ojedausa.com  
 sales@ojedausa.com

Project: \_\_\_\_\_  
 Model #: \_\_\_\_\_  
 Item #: \_\_\_\_\_ Qty: \_\_\_\_\_  
 Approval: \_\_\_\_\_

# COUNTERTOP FREEZER

# CTFH-3



### R-290 REFRIGERANT

Equipped with R-290 refrigerant, an eco-friendly alternative that meets the EPA's environmentally impact regulations.

### STEEL CONSTRUCTION

Robust steel construction minimizes the use of plastic materials resulting in an environmental friendly design.

### MECHANICAL THERMOSTAT

Temperature control is adjustable to provide a range of temperatures for your personal satisfaction.

### OPERATION TEMPERATURE

-10°F to 0°F

### CUSTOM GRAPHICS

Standard color: white.

Dimensions			Crated Dimensions			Shelves	HP	Voltage	NEMA config	Amps	Crated Weight		
	W	D	H		W	D	H	2	1/5	120	5-15P	4	185 lbs
(in)	23.8	24.4	31.6	(in)	25.2	25.6	33.1	Net Capacity (cf): 3			Energy Consumption: 3.41 kw-hr/day		
(mm)	603	619	802	(mm)	640	650	840						

\*Inches rounded up one decimal place \*Specifics may change without notification



## CABINET CONSTRUCTION

- High-density, CFC-Free, polyurethane insulation
- Triple pane glass
- Exterior: galvanized metal cabinet with powder coated painted surface
- Interior: easy to clean pre-painted steel
- Stainless steel leveling legs

## SHELVING

- Adjustable shelves

## OPERATING CONDITIONS

- The unit is best suited for an environment where temperatures remain below 75°F and humidity does not exceed 55%.
- Areas with direct sunlight should also be avoided.

## REFRIGERATION

- Easy to reach components for repairs
- Cold wall evaporator
- Adjustable thermostat
- R-290 refrigerant

## OPTIONS

- Optional attachable lock with key.
- Custom graphics

## WARRANTY

- 3 year parts and labor warranty
- 5 year compressor

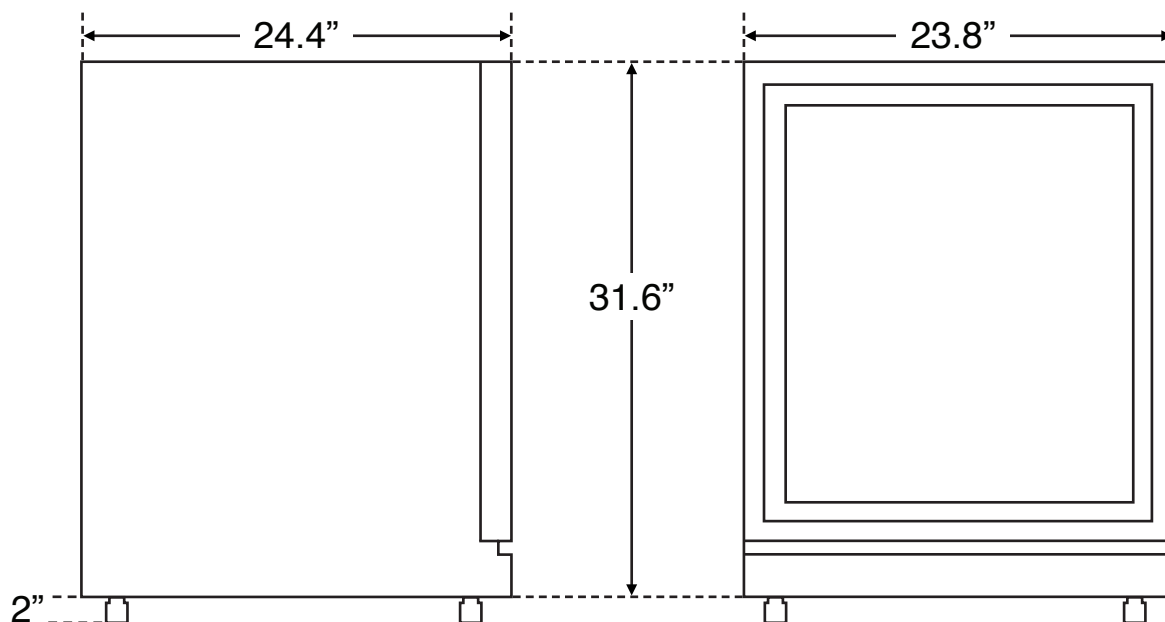
## LIGHTING

- Horizontal & Vertical LED lighting

## LEVELING LEGS



## OPTIONAL LOCK WITH KEY



\*Specifics may change without notification

