



# Refrigerated Glass Door Merchandisers

Models RS-CN-0145, 0021, 0021-B, 0040-B, 0052, 0052-B, 0080-B

Items 47240, 44527, 44575, 44528, 44496, 44529, 44530

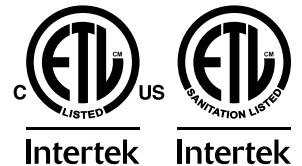
## Instruction Manual



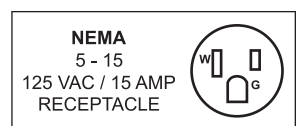
**STOP**  
**DO NOT RETURN**  
**THIS PRODUCT TO THE STORE**

For questions or assistance with this product call OMCAN Toll Free: 1 800 465 0234  
Customer Service  
or  
visit the Support section of [www.omcan.com](http://www.omcan.com)

Revised - 11/18/2021



Toll Free: 1-800-465-0234  
Fax: 905-607-0234  
Email: [service@omcan.com](mailto:service@omcan.com)  
[www.omcan.com](http://www.omcan.com)



# ***Table of Contents***

Model RS-CN-0145 / Model RS-CN-0021 / Model RS-CN-0021-B  
Model RS-CN-0040-B / Model RS-CN-0052 / Model RS-CN-0052-B  
Model RS-CN-0080-B

---

| <b>Section</b>                 | <b>Page</b> |
|--------------------------------|-------------|
| Disclaimer .....               | 3           |
| General Information .....      | 4 - 5       |
| Safety and Warranty .....      | 5 - 6       |
| Technical Specifications ..... | 7 - 8       |
| Installation .....             | 8 - 9       |
| Operation .....                | 9           |
| Maintenance .....              | 10          |
| Troubleshooting .....          | 10 - 11     |
| Parts Breakdown .....          | 12 - 17     |
| Electrical Schematics .....    | 18 - 20     |
| Notes .....                    | 21 - 22     |
| Warranty Registration .....    | 23          |

## *Disclaimer*

---

***OMCAN IS NOT RESPONSIBLE FOR DIMINISHED COOLING OR ANY DAMAGES DUE TO WATER LEAKS. WARRANTY IS VOID IF THE AMBIENT ROOM TEMPERATURE EXCEEDS 75°F AND 55% RELATIVE HUMIDITY, AND THE APPLIANCE DRAIN IS NOT CONNECTED DIRECTLY TO A FLOOR DRAIN.***

# **General Information**

---

**Omcan Manufacturing and Distributing Company Inc., Food Machinery of America, Inc. dba Omcan and Omcan Inc. are not responsible for any harm or injury caused due to any person's improper or negligent use of this equipment. The product shall only be operated by someone over the age of 18, of sound mind, and not under the influence of any drugs or alcohol, who has been trained in the correct operation of this machine, and is wearing authorized, proper safety clothing. Any modification to the machine voids any warranty, and may cause harm to individuals using the machine or in the vicinity of the machine while in operation.**

## **CHECK PACKAGE UPON ARRIVAL**

Upon receipt of an Omcan shipment please inspect for external damage. If no damage is evident on the external packaging, open carton to ensure all ordered items are within the box, and there is no concealed damage to the machine. If the package has suffered rough handling, bumps or damage (visible or concealed), please note it on the bill of lading before accepting the delivery and contact Omcan within 24 hours, so we may initiate a claim with the carrier. A detailed report on the extent of the damage caused to the machine must be filled out within three days, from the delivery date shown in the shipping documents. Omcan has no recourse for damaged products that were shipped collect or third party.

**Before operating any equipment, always read and familiarize yourself with all operation and safety instructions.**

**Omcan would like to thank you for purchasing this machine. It's of the utmost importance to save these instructions for future reference. Also save the original box and packaging for shipping the equipment if servicing or returning of the machine is required.**

---

**Omcan Fabrication et distribution Compagnie Limitée et Food Machinery d'Amérique, dba Omcan et Omcan Inc. ne sont pas responsables de tout dommage ou blessure causé du fait que toute personne ait utilisé cet équipement de façon irrégulière. Le produit ne doit être exploité que par quelqu'un de plus de 18 ans, sain d'esprit, et pas sous l'influence d'une drogue ou d'alcool, qui a été formé pour utiliser cette machine correctement, et est vêtu de vêtements de sécurité appropriés. Toute modification de la machine annule toute garantie, et peut causer un préjudice à des personnes utilisant la machine ou des personnes à proximité de la machine pendant son fonctionnement.**

## **VÉRIFIEZ LE COLIS DÈS RÉCEPTION**

Dès réception d'une expédition d'Omcan veuillez inspecter pour dommages externes. Si aucun dommage n'est visible sur l'emballage externe, ouvrez le carton afin de s'assurer que tous les éléments commandés sont dans la boîte, et il n'y a aucun dommage dissimulé à la machine. Si le colis n'a subi aucune mauvaises manipulations, de bosses ou de dommages (visible ou cachée), notez-le sur le bond de livraison avant d'accepter la livraison et contactez Omcan dans les 24 heures qui suivent, pour que nous puissions engager une réclamation auprès du transporteur. Un rapport détaillé sur l'étendue des dommages causés à la machine doit être rempli dans un délai de trois jours, à compter de la date de livraison indiquée dans les documents d'expédition. Omcan n'a aucun droit de recours pour les produits endommagés qui ont été expédiés ou cueilli par un tiers transporteur.

# General Information

---

Avant d'utiliser n'importe quel équipement, toujours lire et vous familiariser avec toutes les opérations et les consignes de sécurité.

Omcan voudrais vous remercier d'avoir choisi cette machine. Il est primordial de conserver ces instructions pour une référence ultérieure. Également conservez la boîte originale et l'emballage pour l'expédition de l'équipement si l'entretien ou le retour de la machine est nécessaire.

-----  
Omcan Empresa De Fabricacion Y Distribucion Inc. Y Maquinaria De Alimentos De America, Inc. dba Omcan y Omcan Inc. no son responsables de ningun daño o perjuicio causado por cualquier persona inadecuada o el uso descuidado de este equipo. El producto solo podra ser operado por una persona mayor de 18 años, en su sano juicio y no bajo alguna influencia de droga o alcohol, y que este ha sido entrenado en el correcto funcionamiento de esta máquina, y ésta usando ropa apropiada y autorizada. Cualquier modificación a la máquina anula la garantía y puede causar daños a las personas usando la máquina mientras esta en el funcionamiento.

## REVISE EL PAQUETE A SU LLEGADA

Tras la recepcion de un envio Omcan favor inspeccionar daños externos. Si no hay daños evidentes en el empaque exterior, Habra el carton para asegurarse que todos los articulos solicitados estén dentro de la caja y no encuentre daños ocultos en la máquina. Si el paquete ha sufrido un manejo de poco cuidado, golpes o daños (visible o oculto) por favor anote en la factura antes de aceptar la entrega y contacte Omcan dentro de las 24 horas, de modo que podamos iniciar una reclamación con la compañía. Un informe detallado sobre los daños causados a la máquina debe ser llenado en el plazo de tres días, desde la fecha de entrega que se muestra en los documentos de envío. Omcan no tiene ningun recurso por productos dañados que se enviaron a recoger por terceros.

**Antes de utilizar cualquier equipo, siempre lea y familiarizarse con todas las instrucciones de funcionamiento y seguridad.**

Omcan le gustaría darle las gracias por la compra de esta máquina. Es de la mayor importancia para salvar estas instrucciones para futuras consultas. Además, guarda la caja original y el embalaje para el envío del equipo si servicio técnico o devolución de la máquina que se requiere.

# Safety and Warranty

---

## SAFETY CAUTIONS

1. This unit uses AC110V/60Hz power, there should be a 500VA stabilizer if the voltage fluctuation exceed AC99V ~ 132V.
2. The user should hold the plug when the power is on/off, dragging or pulling the power cord is prohibited.
3. Do not remove the power cord or plug.
4. Must use dependent socket and reliable ground wire. Ground wire must not connect with the null line of the

# ***Safety and Warranty***

---

gas pipe, warm gas pipe, water pipe and must be single power.

5. Never splash water on the unit directly.
6. Keep away from explosive, hazardous goods such as ether, gas, alcohol, bonding agents, gunpowder etc.
7. Keep away from spray of inflammables such as paints, coating materials etc.
8. After the unit is switched off, it should not be restarted within 5 minutes.
9. Do not leave the power cord under any heavy objects including the unit itself.
10. Do not drill holes or install other objects on the casing.
11. This cooler is not suitable for storage pharmaceutical products.

## **CAUTION**

- The unit is not suitable for storage of blood, pharmaceutical products and biological products
- Do not place heavy articles on the top of the unit.
- In case of trouble, please ask professional person for service, do not dismantle the unit without prior authority to avoid hazard.

**NOTE: THESE UNITS ARE TO BE USED FOR DRINKS ONLY, DO NOT STORE FOOD IN THESE UNITS.**

**RESIDENTIAL USERS: Vendor assumes no liability for parts or labor coverage for component failure or other damages resulting from installation in non-commercial or residential applications. The right is reserved to deny shipment for residential usage; if this occurs, you will be notified as soon as possible.**

## **1 YEAR PARTS AND LABOUR BENCH WARRANTY**

**Within the warranty period, contact Omcan Inc. at 1-800-465-0234 to schedule a drop off to either an Omcan authorized service depot in the area, or to an Omcan Service warehouse to repair the equipment.**

**Unauthorized maintenance will void the warranty. Warranty covers electrical and part failures, not improper use.**

**Please see <https://omcan.com/disclaimer> for complete info.**

## **WARNING:**

The packaging components are classified as normal solid urban waste and can therefore be disposed of without difficulty.

**In any case, for suitable recycling, we suggest disposing of the products separately (differentiated waste) according to the current norms.**

**DO NOT DISCARD ANY PACKAGING MATERIALS IN THE ENVIRONMENT!**



# Technical Specifications

| Model                   | RS-CN-0145                                  | RS-CN-0021                                 | RS-CN-0021-B                               | RS-CN-0040-B                               |
|-------------------------|---|--|--|--|
| Capacity                | 145 L / 5.12 cu.ft.                         | 21 L / 0.74 cu.ft.                         |  | 40 L / 1.4 cu.ft.                          |
| Temperature Range       | 0 - 10°C / 32 - 50°F                        |  |  |  |
| Max Ambient Temp Rating | 32°C / 90°F                                 |  |  |  |
| Refrigerant             | R600a                                       |  |  |  |
| Defrosting              | Yes   |  |  |  |
| Power                   | 150 W                                       | 76 W                                       |  |  |
| Electrical              | 110V / 60Hz                                 |  |  |  |
| Number of Shelves       | 6   | 1  | 2  |  |
| Shelf Capacity          | 33 lbs. / 15 kgs.                           |  |  |  |
| Shelf Dimensions        | 12.6" x 13"<br>320 x 330mm                  | 10.8" x 9.8"<br>275 x 250mm                | 9.8" x 10.2"<br>250 x 260mm                | 12" x 10"<br>305 x 254mm                   |
| Dimensions              | 16.5" x 17.5" x 74.2"<br>420 x 445 x 1885mm | 13" x 16.1" x 18.5"<br>330 x 410 x 470mm   | 13" x 16.3" x 24"<br>330 x 414 x 610mm     | 15.7" x 16.3" x 28.9"<br>400 x 414 x 733mm |
| Interior Dimensions     | 13.4" x 13.4" x 52.2"<br>340 x 340 x 1325mm | 10.2" x 11" x 14.7"<br>260 x 280 x 373mm   | 9.8" x 10.2" x 14.3"<br>250 x 260 x 363mm  | 12" x 10" x 17.7"<br>305 x 254 x 450mm     |
| Packaging Dimensions    | 19.8" x 20.8" x 77.1"<br>502 x 529 x 1959mm | 16.8" x 19.1" x 21.4"<br>426 x 486 x 544mm | 16.8" x 19.1" x 26.9"<br>426 x 486 x 684mm | 17.8" x 17.6" x 30.6"<br>451 x 447 x 777mm |
| Weight                  | 110.2 lbs. / 50 kgs.                        | 33.1 lbs. / 15 kgs.                        | 35 lbs. / 16 kgs.                          | 44 lbs. / 20 kgs.                          |
| Packaging Weight        | 121.3 lbs. / 55 kgs.                        | 36.4 lbs. / 16.5 kgs.                      | 39 lbs. / 18 kgs.                          | 48.5 lbs. / 22 kgs.                        |
| Item Number             | 47240                                       | 44527                                      | 44575                                      | 44528                                      |

# Technical Specifications

| Model                   | RS-CN-0052                                 | RS-CN-0052-B                               | RS-CN-0080-B                               |
|-------------------------|--|--|--|
| Capacity                | 52 L / 1.83 cu.ft.                         |  | 80 L / 2.82 cu.ft.                         |
| Temperature Range       | 0 - 10°C / 32 - 50°F                       |  |  |
| Max Ambient Temp Rating | 32°C / 90°F                                |  |  |
| Refrigerant             | R600a                                      |  |  |
| Defrosting              | Yes  |  |  |
| Power                   | 80 W                                       | 76 W                                       | 92 W                                       |
| Electrical              | 110V / 60Hz                                |  |  |
| Number of Shelves       | 1  | 3  |  |
| Shelf Capacity          | 33 lbs. / 15 kgs.                          |  |  |
| Shelf Dimensions        | 14.8" x 9.3"<br>376 x 235mm                | 13" x 10.6"<br>330 x 270mm                 | 13.8" x 11"<br>351 x 279mm                 |
| Dimensions              | 17.1" x 19.7" x 19.7"<br>435 x 500 x 501mm | 16.5" x 18.1" x 31.2"<br>419 x 460 x 792mm | 18.2" x 18.5" x 36.7"<br>462 x 470 x 932mm |
| Interior Dimensions     | 14.8" x 14.6" x 16.1"<br>375 x 370 x 410mm | 13" x 10.6" x 19.7"<br>330 x 270 x 500mm   | 13.8" x 11" x 24.8"<br>351 x 279 x 630mm   |
| Packaging Dimensions    | 20.5" x 22.9" x 22"<br>521 x 581 x 560mm   | 19.8" x 20.8" x 33.3"<br>502 x 528 x 846mm | 21.3" x 21.2" x 38.8"<br>541 x 538 x 986mm |
| Weight                  | 43 lbs. / 19.5 kgs.                        | 50.7 lbs. / 23 kgs.                        | 63.9 lbs. / 29 kgs.                        |
| Packaging Weight        | 47.4 lbs. / 21.5 kgs.                      | 55 lbs. / 25 kgs.                          | 70.5 lbs. / 32 kgs.                        |
| Item Number             | 44496                                      | 44529                                      | 44530                                      |

## Installation

### INSTALLATION AND STORAGE

1. Keep the unit vertical when carrying the unit, the angle to the horizontal line should not be over 50°, otherwise it will damage the compressor and affect normal operation of the unit.
2. The unit should be placed on a solid and firm ground, take away the bottom pack to lower the shock and noise.
3. Leave at least 20 cm of distance between the back of the unit and the wall for ventilation and leave a space with an open angle of 160° for the door.
4. Keep the unit away from heat sources and avoiding direct sunlight.
5. Never place the unit on a location where water can reach or with high moisture. Splashed water and dirt should be wiped off in time by using a soft cloth.
6. Do not place the unit in the environment cold enough to be iced.



# Installation

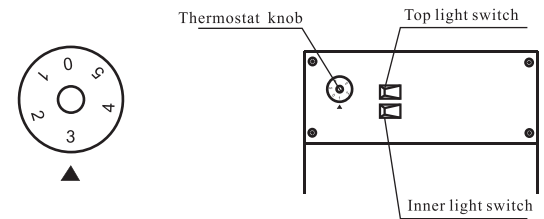
## BEFORE USE

1. Remove the carton and packing foam (including the bottom foam) before using.
  2. Clean the unit before using.
  3. Adjust the foot to make the unit steady according to the ground condition to lower the shock and noise.
  4. After moving the unit, place the unit for 30 minutes before switching it on.
- Running: close the door and connect the power, turn on the lamp switch on the control panel, the lamp is on. Half an hour later, the temperature inside the case lower apparently, it indicates the unit on be normally used.
5. After connecting the power, the unit should be kept empty for one hour.

# Operation

## SETTING AND ADJUSTING THE TEMPERATURE

1. Adjust the storage temperature through the temperature controller located on the back of the case, adjust the temperature according to the ambient temperature and the foodstuff.
2. See the following picture about the knob scale. The temperature adjustable capacity is from “1”-“5”, adjust the storage temperature by turning the temperature controller clockwise. The higher of the number shows the lower of the storage temperature. The knob can turn freely but can't turn clockwise from “5” to “1”. Factory setting position is on “3”.
3. Check if the scale is on an appropriate position before using, frequent adjustment is not appropriate when using. Normally in summer, the ambient temperature is high, anti clockwise turn the knob to “2”, while in winter, the ambient temperature is low, clockwise turn the knob to “4”.
4. Position “0” represent stop running.



The back side of refrigerator

## STORAGE OF PRODUCT

1. Do not put large amount of product into the unit at one time, you should leave some space around the foodstuff to let cold air inside the cabinet counter to flow. Keep bottled articles away from the walls of interior cabinet so as not to freeze it until broken.
2. Do not put warm food into the unit directly until they are cooled under normal temperature, it will facilitate to lower its energy consumption and prolong service life of the compressor.

# Maintenance

## DISCONNECT THE POWER SUPPLY BEFORE MAINTENANCE FOR THE MACHINE!

1. Keep the door gasket clean, remove it from the door and wash it. Dry and seal it as before. Putting some talcum powder on the magnetic surface would prolong its service life.
2. Bulb replacement: remove the lamp shade, take out the bulb, replace with a new bulb, then mount it again.
3. If there is heavy frost on the evaporator after long usage, take out the stuff inside the case, disconnect the power, the frost will melt automatically, clean up the water and connect the power again.
4. Use a soft cloth and dip some water or soap (Non-caustic, neutral detergent is also available) to clean the unit. Dry the unit after cleaning to avoid rust.
5. Do not use organic liquid, boiled water, washing powder or acid stuff to clean the unit. Rinsing the case by water is not allowed, don't use hard brush, steel brush to clean the case.
6. If the unit will not be used for a long time, disconnect the power, clean it by following the above steps, wipe off the water inside the case with a soft cloth.

# Troubleshooting

| Problems  | Possible Causes  | Solutions  |
|---|--|--|
| The units does not work.  | Bad connection of plug.  | Re-connect the plug to power supply  |
| Abnormal operation of the compressor or has buzz sound.   | The power voltage is out of the rated range.   | Disconnect the power supply immediately and reconnect with it after normal voltage. It is necessary to have a voltage stabilizer in case of poor power supply. |
| Compressor operates too long time and no frost on the surface of inner cabinet.   | Refrigeration system is at fault (leakage or blocked).                               | Send the unit to service department for repair.  |
| There is frost or ice on the walls of the inner cabinet and too low internal temperature, the compressor operates never stop. | Thermostat does not work.  | Ask service department for repair.   |
| The internal temperature is too high and the compressor operates never stop.  | Bad heat dissipation and ventilation of casing, the ambient temperature is too high. | Improve ventilation and lower the ambient temperature.   |
|   | Too much warm food was put in at one time.   | Take out some food.  |
|   | Door open frequently and long time door opening.                                     | Decrease number and time of door opening.  |

# Troubleshooting

---

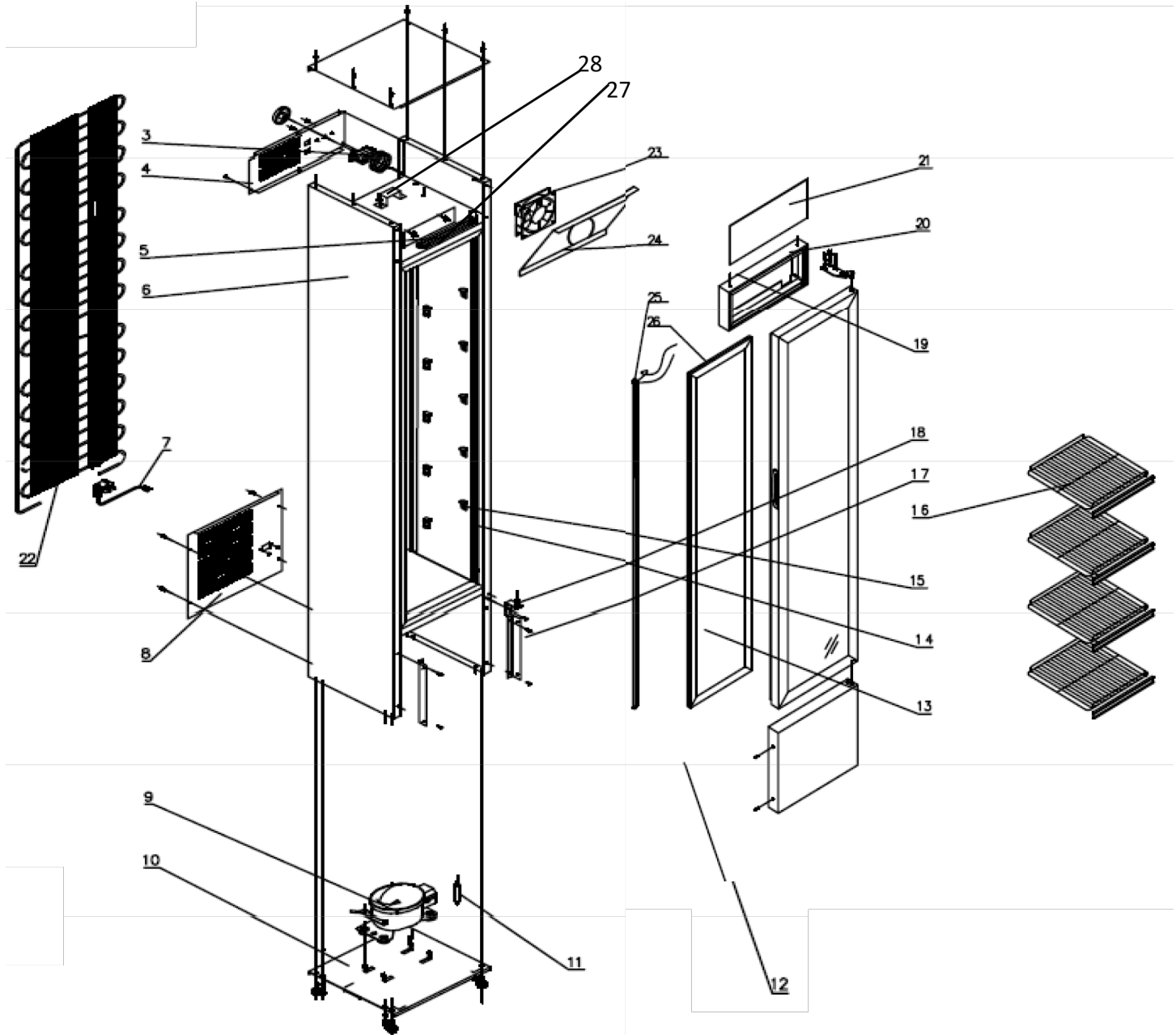
|                  |                                    |                                     |
|------------------|------------------------------------|-------------------------------------|
| Too high noise.  | The unit is not level.             | Adjust the adjustable legs.         |
|                  | The fastener of the unit is loose. | Fasten the loose fastener.          |
|                  | Pipes are touching the compressor. | Careful separate the touched pipes. |
| Light is not on. | The light is burned out.           | Replace the light.                  |

## **NORMAL PHENOMENA**

1. Sometime hear light sound of water flowing in the unit, this is the sound of refrigerant flowing inside the pipe.
2. The top, and the two sides of the casing will be warm, even too hot.
3. In a humidity place, there is dew on the casing or the door, it can dry by dry cloth.

# Parts Breakdown

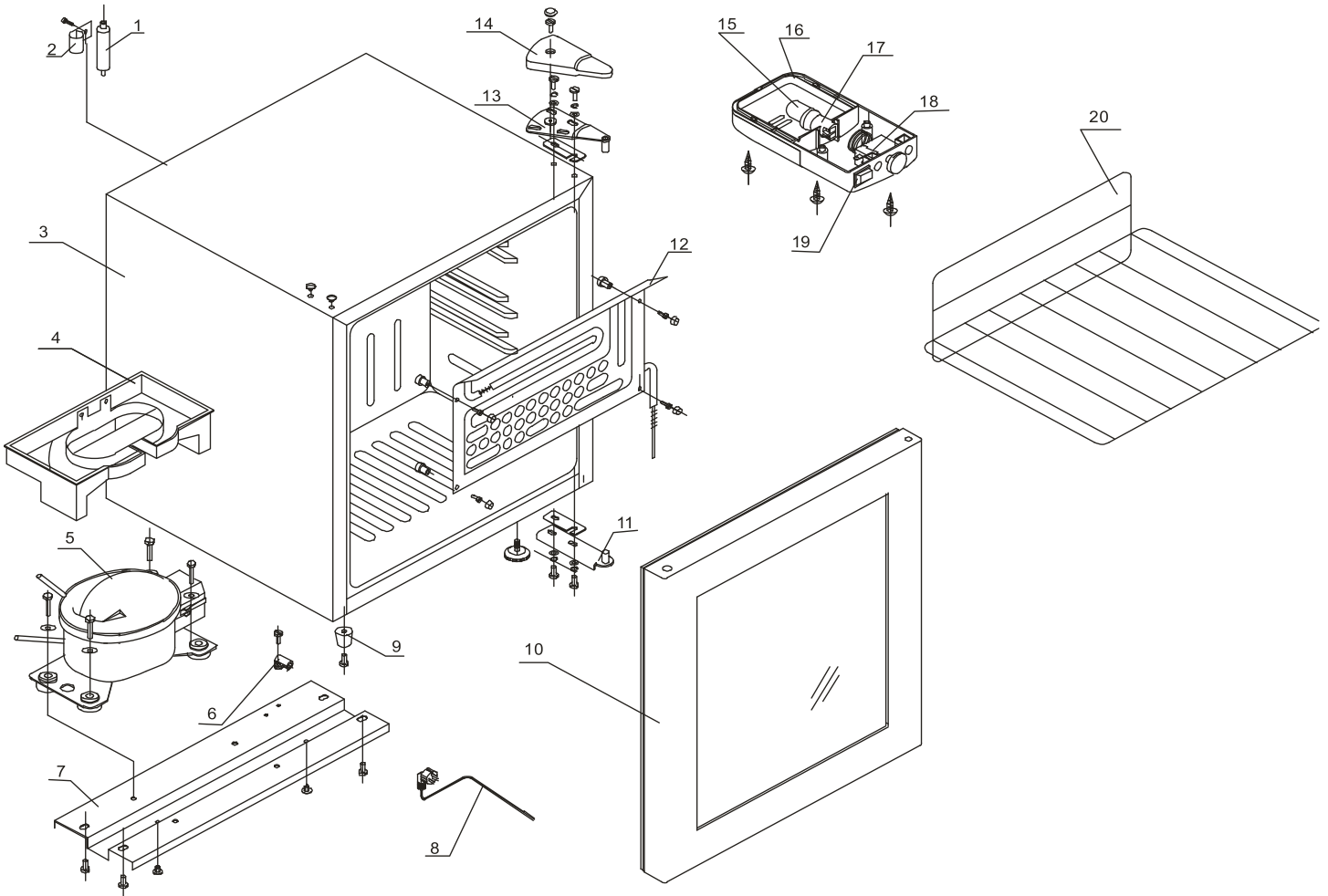
Model RS-CN-0145 47240



# Parts Breakdown

**Model RS-CN-0021** 44527

**Model RS-CN-0052** 44496



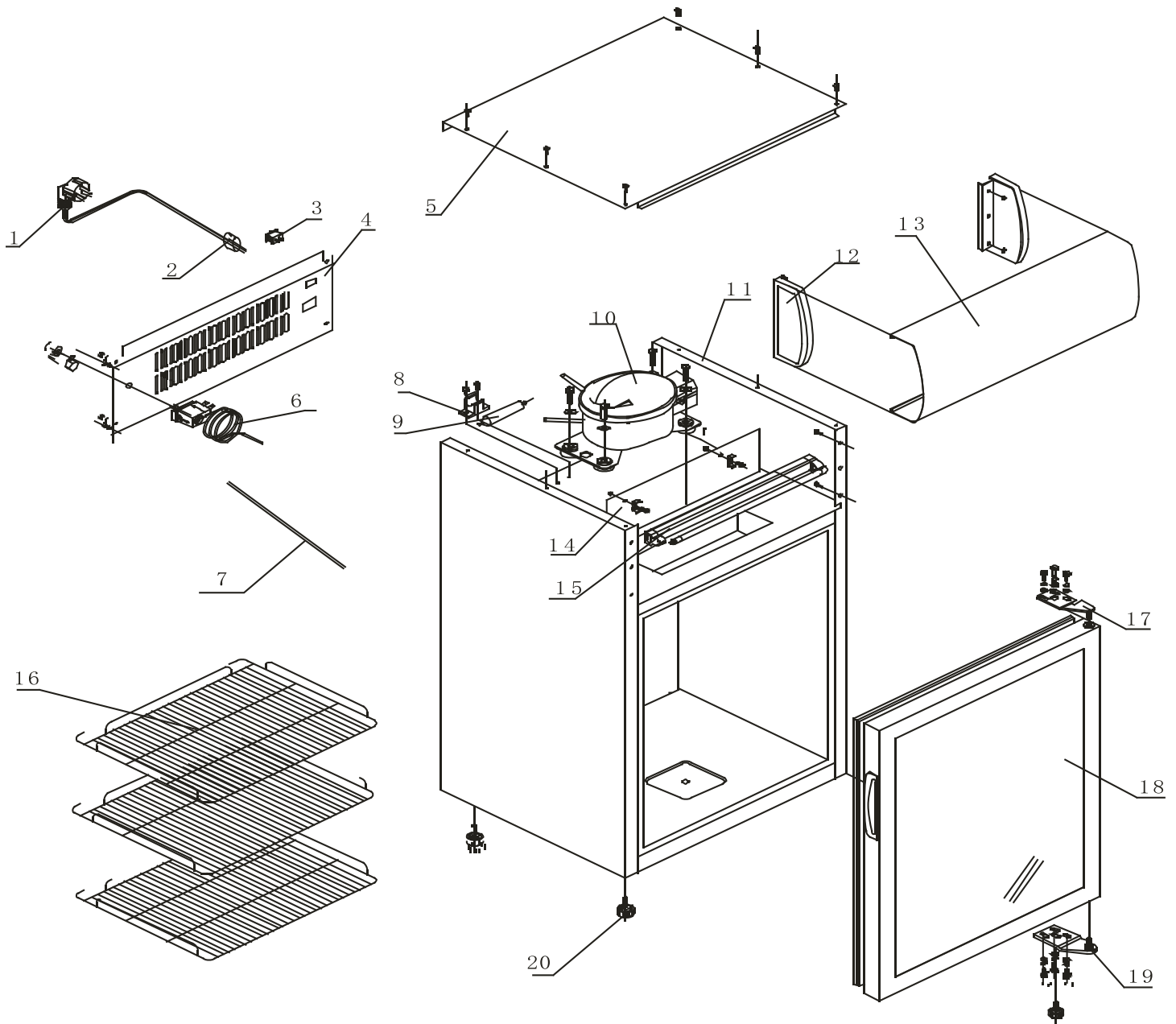
# Parts Breakdown

**Model RS-CN-0021-B** 44575

**Model RS-CN-0040-B** 44528

**Model RS-CN-0052-B** 44529

**Model RS-CN-0080-B** 44530





# Parts Breakdown

## Model RS-CN-0145 47240

| Item No. | Description                           | Position | Item No. | Description                      | Position | Item No. | Description                    | Position |
|----------|---------------------------------------|----------|----------|----------------------------------|----------|----------|--------------------------------|----------|
| AH198    | Top Board for 47240                   | 1        | AH208    | Strainer for 47240               | 11       | AH218    | Lightbox Front Board for 47240 | 21       |
| AH199    | Temperature Control Knob for 47240    | 2        | AH209    | Compressor Front Board for 47240 | 12       | AH219    | Condenser for 47240            | 22       |
| AH200    | Manual Thermostat for 47240           | 3        | AH210    | Glass Door for 47240             | 13       | AH220    | Inner Fan for 47240            | 23       |
| AH201    | Back Board for 47240                  | 4        | AH211    | Shelf Card for 47240             | 14       | AH221    | Inner Fan Cover for 47240      | 24       |
| AH202    | Top Lightbox Light for 47240          | 5        | AH212    | Shelf Holder for 47240           | 15       | AH222    | Light on Glass Door for 47240  | 25       |
| AH203    | Body for 47240                        | 6        | AH213    | Shelf for 47240                  | 16       | AH223    | Door Gasket for 47240          | 26       |
| AH204    | Power Line for 47240                  | 7        | AH214    | Front Board Wire for 47240       | 17       | AH224    | Inner Top LED Light for 47240  | 27       |
| AH205    | Compressor Room Cover Board for 47240 | 8        | AH215    | Bottom Hinge for 47240           | 18       | AH225    | Transformer for 47240          | 28       |
| AH206    | Compressor for 47240                  | 9        | AH216    | Upper Hinge for 47240            | 19       |          |                                |          |
| AH207    | Compressor Baseboard for 47240        | 10       | AH217    | Lightbox Frame for 47240         | 20       |          |                                |          |

## Model RS-CN-0021 44527

| Item No. | Description                    | Position | Item No. | Description            | Position | Item No. | Description             | Position |
|----------|--------------------------------|----------|----------|------------------------|----------|----------|-------------------------|----------|
| AH340    | Device for Drying for 44527    | 1        | AH347    | Power Line for 44527   | 8        | AH354    | Light for 44527         | 15       |
| AH341    | Filter Trestle for 44527       | 2        | AH348    | Foot for 44527         | 9        | AH355    | Light Trestle for 44527 | 16       |
| AH342    | Case for 44527                 | 3        | AH349    | Glass Door for 44527   | 10       | AH356    | Lamp-Socket for 44527   | 17       |
| AH343    | Water Pan for 44527            | 4        | AH350    | Below Hinge for 44527  | 11       | AH357    | Thermostat for 44527    | 18       |
| 69130    | Compressor for 44527           | 5        | AH351    | Evaporator for 44527   | 12       | AH358    | Switch for 44527        | 19       |
| AH345    | Line Ball Clip for 44527       | 6        | AH352    | Up Hinge for 44527     | 13       | AH359    | Shelf for 44527         | 20       |
| AH346    | Compressor Baseplate for 44527 | 7        | AH353    | Hinged Cover for 44527 | 14       |          |                         |          |

## Model RS-CN-0052 44496

| Item No. | Description                    | Position | Item No. | Description            | Position | Item No. | Description             | Position |
|----------|--------------------------------|----------|----------|------------------------|----------|----------|-------------------------|----------|
| AH360    | Device for Drying for 44496    | 1        | AH367    | Power Line for 44496   | 8        | AH374    | Light for 44496         | 15       |
| AH361    | Filter Trestle for 44496       | 2        | AH368    | Foot for 44496         | 9        | AH375    | Light Trestle for 44496 | 16       |
| AH362    | Case for 44496                 | 3        | AH369    | Glass Door for 44496   | 10       | AH376    | Lamp-Socket for 44496   | 17       |
| AH363    | Water Pan for 44496            | 4        | AH370    | Below Hinge for 44496  | 11       | AH377    | Thermostat for 44496    | 18       |
| 69130    | Compressor for 44496           | 5        | AH371    | Evaporator for 44496   | 12       | AH378    | Switch for 44496        | 19       |
| AH365    | Line Ball Clip for 44496       | 6        | AH372    | Up Hinge for 44496     | 13       | AH379    | Shelf for 44496         | 20       |
| AH366    | Compressor Baseplate for 44496 | 7        | AH373    | Hinged Cover for 44496 | 14       |          |                         |          |

# Parts Breakdown

## Model RS-CN-0021-B 44575

| Item No. | Description                   | Position | Item No. | Description              | Position | Item No. | Description            | Position |
|----------|-------------------------------|----------|----------|--------------------------|----------|----------|------------------------|----------|
| 69121    | Power Line for 44575          | 1        | 69128    | Filter Holder for 44575  | 8        | 69135    | Lamp for 44575         | 15       |
| 69122    | Wire Clip for 44575           | 2        | 69129    | Dry Filter for 44575     | 9        | 69136    | Shelf for 44575        | 16       |
| 69123    | Switch for 44575              | 3        | 69130    | Compressor for 44575     | 10       | 69137    | Top Hinge for 44575    | 17       |
| 69124    | Back Shroud for 44575         | 4        | 69131    | Fridge Body for 44575    | 11       | 69138    | Glass Door for 44575   | 18       |
| 69125    | Top Tray for 44575            | 5        | 69132    | Light Box Plug for 44575 | 12       | 69139    | Bottom Hinge for 44575 | 19       |
| 69126    | Temperature Control for 44575 | 6        | 69133    | Light Piece for 44575    | 13       | 69140    | Base Foot for 44575    | 20       |
| 69127    | Internal Connection for 44575 | 7        | 69134    | Lamp Holder for 44575    | 14       |          |                        |          |

## Model RS-CN-0040-B 44528

| Item No. | Description                   | Position | Item No. | Description              | Position | Item No. | Description            | Position |
|----------|-------------------------------|----------|----------|--------------------------|----------|----------|------------------------|----------|
| 69141    | Power Line for 44528          | 1        | 69148    | Filter Holder for 44528  | 8        | 69154    | Lamp for 44528         | 15       |
| 69142    | Wire Clip for 44528           | 2        | 69149    | Dry Filter for 44528     | 9        | 69155    | Shelf for 44528        | 16       |
| 69143    | Switch for 44528              | 3        | AI557    | Compressor for 44528     | 10       | 69156    | Top Hinge for 44528    | 17       |
| 69144    | Back Shroud for 44528         | 4        | 69150    | Fridge Body for 44528    | 11       | 69157    | Glass Door for 44528   | 18       |
| 69145    | Top Tray for 44528            | 5        | 69151    | Light Box Plug for 44528 | 12       | 69158    | Bottom Hinge for 44528 | 19       |
| 69146    | Temperature Control for 44528 | 6        | 69152    | Light Piece for 44528    | 13       | 69159    | Base Foot for 44528    | 20       |
| 69147    | Internal Connection for 44528 | 7        | 69153    | Lamp Holder for 44528    | 14       |          |                        |          |

## Model RS-CN-0052-B 44529

| Item No. | Description                   | Position | Item No. | Description              | Position | Item No. | Description            | Position |
|----------|-------------------------------|----------|----------|--------------------------|----------|----------|------------------------|----------|
| 69160    | Power Line for 44529          | 1        | 69167    | Filter Holder for 44529  | 8        | 69173    | Lamp for 44529         | 15       |
| 69161    | Wire Clip for 44529           | 2        | 69168    | Dry Filter for 44529     | 9        | 69174    | Shelf for 44529        | 16       |
| 69162    | Switch for 44529              | 3        | AI557    | Compressor for 44529     | 10       | 69175    | Top Hinge for 44529    | 17       |
| 69163    | Back Shroud for 44529         | 4        | 69169    | Fridge Body for 44529    | 11       | 69176    | Glass Door for 44529   | 18       |
| 69164    | Top Tray for 44529            | 5        | 69170    | Light Box Plug for 44529 | 12       | 69177    | Bottom Hinge for 44529 | 19       |
| 69165    | Temperature Control for 44529 | 6        | 69171    | Light Piece for 44529    | 13       | 69178    | Base Foot for 44529    | 20       |
| 69166    | Internal Connection for 44529 | 7        | 69172    | Lamp Holder for 44529    | 14       |          |                        |          |





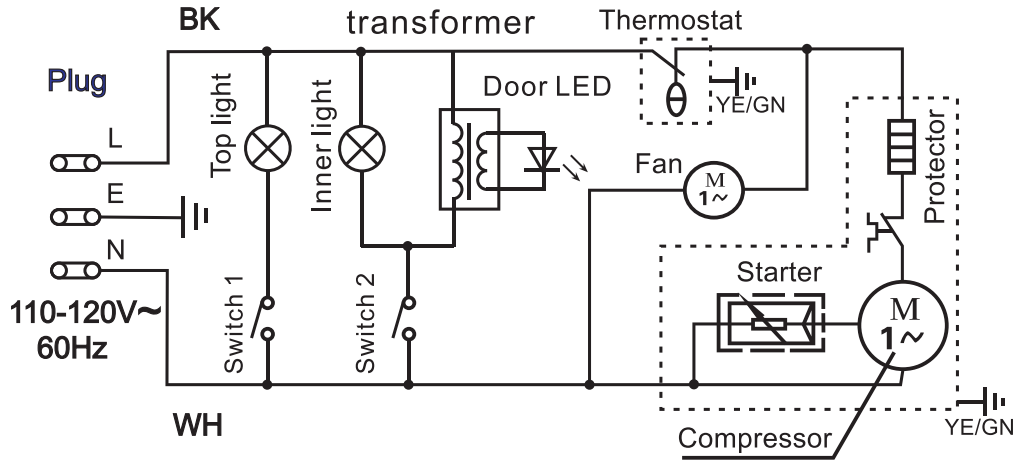
# Parts Breakdown

## Model RS-CN-0080-B 44530

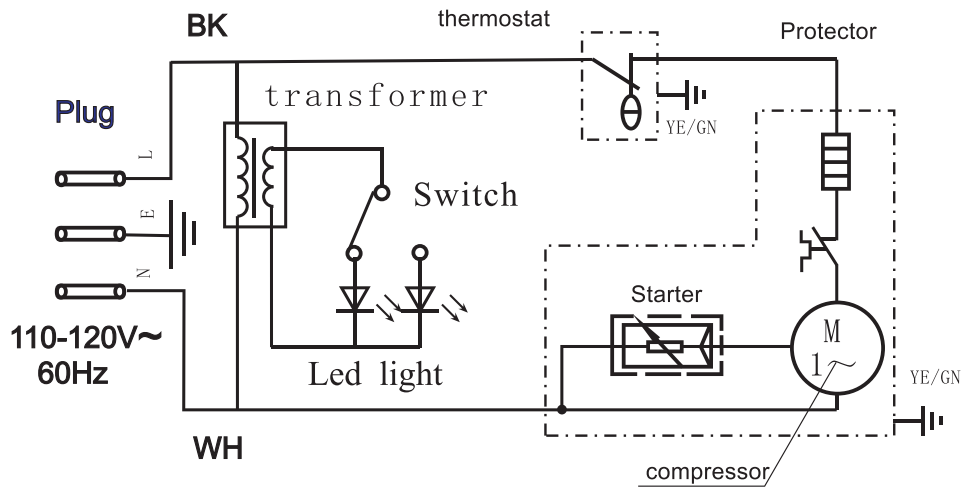
| Item No. | Description                   | Position | Item No. | Description              | Position | Item No. | Description            | Position |
|----------|-------------------------------|----------|----------|--------------------------|----------|----------|------------------------|----------|
| 69179    | Power Line for 44530          | 1        | 69186    | Filter Holder for 44530  | 8        | 69192    | Lamp for 44530         | 15       |
| 69180    | Wire Clip for 44530           | 2        | 69187    | Dry Filter for 44530     | 9        | 69193    | Shelf for 44530        | 16       |
| 69181    | Switch for 44530              | 3        | AI557    | Compressor for 44530     | 10       | 69194    | Top Hinge for 44530    | 17       |
| 69182    | Back Shroud for 44530         | 4        | 69188    | Fridge Body for 44530    | 11       | 69195    | Glass Door for 44530   | 18       |
| 69183    | Top Tray for 44530            | 5        | 69189    | Light Box Plug for 44530 | 12       | 69196    | Bottom Hinge for 44530 | 19       |
| 69184    | Temperature Control for 44530 | 6        | 69190    | Light Piece for 44530    | 13       | 69197    | Base Foot for 44530    | 20       |
| 69185    | Internal Connection for 44530 | 7        | 69191    | Lamp Holder for 44530    | 14       |          |                        |          |

# Electrical Schematics

**Model RS-CN-0145** 47240

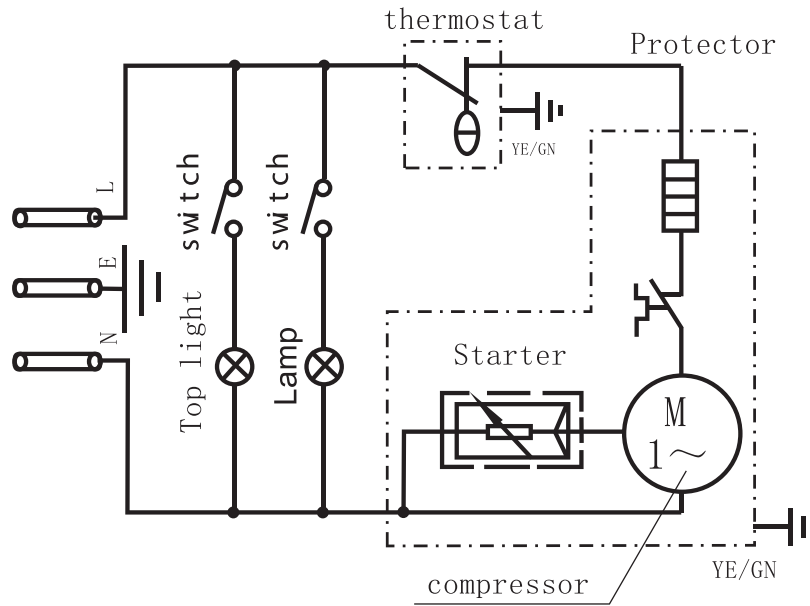


**Model RS-CN-0021** 44527



# Electrical Schematics

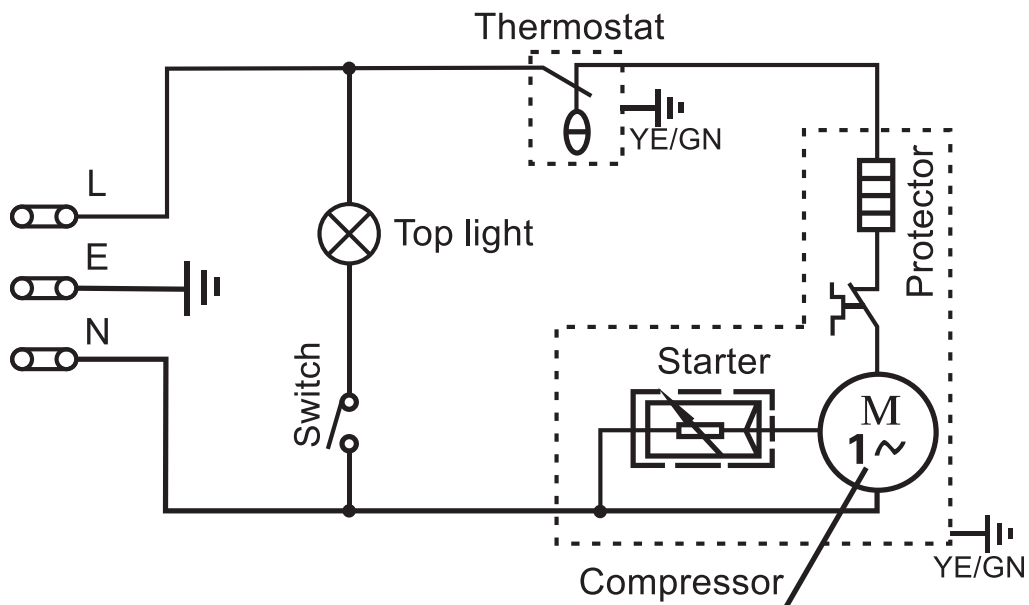
**Model RS-CN-0021-B** 44575



**Model RS-CN-0040-B** 44528

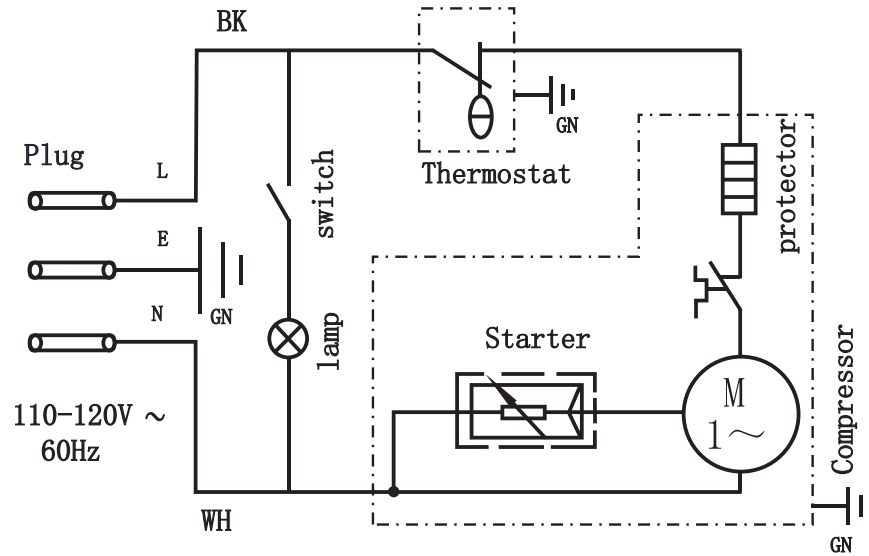
**Model RS-CN-0052-B** 44529

**Model RS-CN-0080-B** 44530



# Electrical Schematics

Model RS-CN-0052 44496









# Warranty Registration

Thank you for purchasing an Omcan product. To register your warranty for this product, complete the information below, tear off the card at the perforation and then send to the address specified below. You can also register online by visiting:

Merci d'avoir acheté un produit Omcan. Pour enregistrer votre garantie pour ce produit, complétez les informations ci-dessous, détachez la carte au niveau de la perforation, puis l'envoyer à l'adresse spécifiée ci-dessous. Vous pouvez également vous inscrire en ligne en visitant:

Gracias por comprar un producto Omcan usted. Para registrar su garantía para este producto, complete la información a continuación, cortar la tarjeta en la perforación y luego enviarlo a la dirección indicada a continuación. También puede registrarse en línea en:

<https://omcan.com/warranty-registration/>

For mailing in Canada

Pour postale au Canada

Por correo en Canadá

**OMCAN**

PRODUCT WARRANTY REGISTRATION

3115 Pepper Mill Court,

Mississauga, Ontario

Canada, L5L 4X5

For mailing in the US

Pour diffusion aux États-Unis

Por correo en los EE.UU.

**OMCAN**

PRODUCT WARRANTY REGISTRATION

4450 Witmer Industrial Estates, Unit 4,

Niagara Falls, New York

USA, 14305

*or email to: [service@omcan.com](mailto:service@omcan.com)*



Purchaser's Information

Name: \_\_\_\_\_

Address: \_\_\_\_\_

City: \_\_\_\_\_ Province or State: \_\_\_\_\_ Postal or Zip: \_\_\_\_\_

Country: \_\_\_\_\_

Dealer from which Purchased: \_\_\_\_\_

Dealer City: \_\_\_\_\_ Dealer Province or State: \_\_\_\_\_

Invoice: \_\_\_\_\_

Model Name: \_\_\_\_\_ Model Number: \_\_\_\_\_

Machine Description: \_\_\_\_\_

Date of Purchase (MM/DD/YYYY): \_\_\_\_\_

Would you like to extend the warranty?  Yes  No

Company Name: \_\_\_\_\_

Telephone: \_\_\_\_\_

Email Address: \_\_\_\_\_

Type of Company:

Restaurant  Bakery  Deli

Butcher  Supermarket  Caterer

Institution (specify): \_\_\_\_\_

Other (specify): \_\_\_\_\_

Serial Number: \_\_\_\_\_

Date of Installation (MM/DD/YYYY): \_\_\_\_\_

**Thank you for choosing Omcan | Merci d'avoir choisi Omcan | Gracias por elegir Omcan**



Since 1951 Omcan has grown to become a leading distributor of equipment and supplies to the North American food service industry. Our success over these many years can be attributed to our commitment to strengthen and develop new and existing relationships with our valued customers and manufacturers. Today with partners in North America, Europe, Asia and South America, we continually work to improve and grow the company. We strive to offer customers exceptional value through our qualified local sales and service representatives who provide convenient access to over 6,500 globally sourced products.

---

Depuis 1951 Omcan a grandi pour devenir un des “leaders” de la distribution des équipements et matériel pour l’industrie des services alimentaires en Amérique du Nord. Notre succès au cours de ces nombreuses années peut être attribué à notre engagement à renforcer et à développer de nouvelles et existantes relations avec nos clients et les fabricants de valeur. Aujourd’hui avec des partenaires en Amérique du Nord, Europe, Asie et Amérique du Sud, nous travaillons continuellement à améliorer et développer l’entreprise. Nous nous efforçons d’offrir à nos clients une valeur exceptionnelle grâce à nos ventes locales qualifiées et des représentants de service qui offrent un accès facile à plus de 6500 produits provenant du monde entier.

---

Desde 1951 Omcan ha crecido hasta convertirse en un líder en la distribución de equipos y suministros de alimentos en América del Norte industria de servicios. Nuestro éxito en estos años se puede atribuir a nuestro compromiso de fortalecer y desarrollar nuevas relaciones existentes con nuestros valiosos clientes y fabricantes. Hoy con socios de América del Norte, Europa, Asia y América del Sur, que trabajan continuamente para mejorar y crecer la empresa. Nos esforzamos por ofrecer a nuestros clientes valor excepcional a través de nuestro local de ventas y representantes de los servicios que proporcionan un fácil acceso a más de 6,500 productos con origen a nivel mundial.

