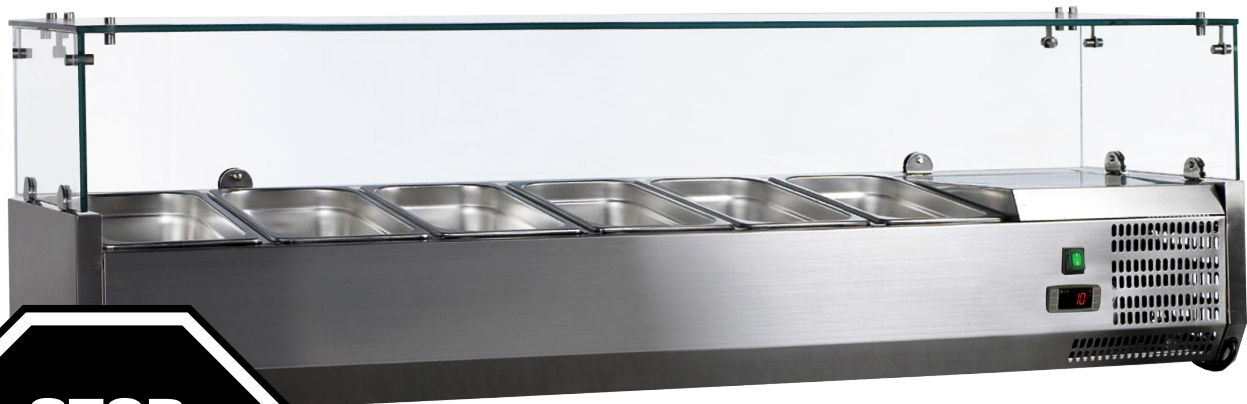
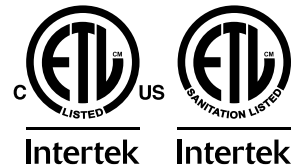




Refrigerated Topping Rails
Models RS-CN-0004-P, 0006-P, 0009-P
Items 46679, 41937, 46680
Instruction Manual



Revised - 11/15/2021



Toll Free: 1-800-465-0234
Fax: 905-607-0234
Email: service@omcan.com
www.omcan.com

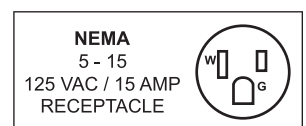


Table of Contents

Model RS-CN-0004-P / Model RS-CN-0006-P / Model RS-CN-0009-P

Section	Page
Disclaimer -----	3
General Information -----	4 - 5
Safety and Warranty -----	5 - 8
Technical Specifications -----	8
Installation -----	8 - 10
Operation -----	11
Maintenance -----	11 - 12
Troubleshooting -----	12
Parts Breakdown -----	13 - 15
Electrical Schematics -----	16
Notes -----	17 - 18
Warranty Registration -----	19

OMCAN IS NOT RESPONSIBLE FOR DIMINISHED COOLING OR ANY DAMAGES DUE TO WATER LEAKS. WARRANTY FOR WATER LEAKS IS VOID IF THE AMBIENT ROOM TEMPERATURE EXCEEDS 75°F AND 55% RELATIVE HUMIDITY, AND THE APPLIANCE DRAIN IS NOT CONNECTED DIRECTLY TO A FLOOR DRAIN.

General Information

Omcan Manufacturing and Distributing Company Inc., Food Machinery of America, Inc. dba Omcan and Omcan Inc. are not responsible for any harm or injury caused due to any person's improper or negligent use of this equipment. The product shall only be operated by someone over the age of 18, of sound mind, and not under the influence of any drugs or alcohol, who has been trained in the correct operation of this machine, and is wearing authorized, proper safety clothing. Any modification to the machine voids any warranty, and may cause harm to individuals using the machine or in the vicinity of the machine while in operation.

CHECK PACKAGE UPON ARRIVAL

Upon receipt of an Omcan shipment please inspect for external damage. If no damage is evident on the external packaging, open carton to ensure all ordered items are within the box, and there is no concealed damage to the machine. If the package has suffered rough handling, bumps or damage (visible or concealed), please note it on the bill of lading before accepting the delivery and contact Omcan within 24 hours, so we may initiate a claim with the carrier. A detailed report on the extent of the damage caused to the machine must be filled out within three days, from the delivery date shown in the shipping documents. Omcan has no recourse for damaged products that were shipped collect or third party.

Before operating any equipment, always read and familiarize yourself with all operation and safety instructions.

Omcan would like to thank you for purchasing this machine. It's of the utmost importance to save these instructions for future reference. Also save the original box and packaging for shipping the equipment if servicing or returning of the machine is required.

Omcan Fabrication et distribution Compañie Limité et Food Machinery d'Amérique, dba Omcan et Omcan Inc. ne sont pas responsables de tout dommage ou blessure causé du fait que toute personne ait utilisé cet équipement de façon irrégulière. Le produit ne doit être exploité que par quelqu'un de plus de 18 ans, saine d'esprit, et pas sous l'influence d'une drogue ou d'alcool, qui a été formé pour utiliser cette machine correctement, et est vêtu de vêtements de sécurité approprié. Toute modification de la machine annule toute garantie, et peut causer un préjudice à des personnes utilisant la machine ou des personnes à proximité de la machine pendant son fonctionnement.

VÉRIFIEZ LE COLIS DÈS RÉCEPTION

Dès réception d'une expédition d'Omcan veuillez inspecter pour dommages externes. Si aucun dommage n'est visible sur l'emballage externe, ouvrez le carton afin de s'assurer que tous les éléments commandés sont dans la boîte, et il n'y a aucun dommage dissimulé à la machine. Si le colis n'a subi aucune mauvaises manipulations, de bosses ou de dommages (visible ou cachée), notez-le sur le bond de livraison avant d'accepter la livraison et contactez Omcan dans les 24 heures qui suivent, pour que nous puissions engager une réclamation auprès du transporteur. Un rapport détaillé sur l'étendue des dommages causés à la machine doit être rempli dans un délai de trois jours, à compter de la date de livraison indiquée dans les documents d'expédition. Omcan n'a aucun droit de recours pour les produits endommagés qui ont été expédiés ou cueilli par un tiers transporteur.



General Information

Avant d'utiliser n'importe quel équipement, toujours lire et vous familiariser avec toutes les opérations et les consignes de sécurité.

Omcan voudrais vous remercier d'avoir choisi cette machine. Il est primordial de conserver ces instructions pour une référence ultérieure. Également conservez la boîte originale et l'emballage pour l'expédition de l'équipement si l'entretien ou le retour de la machine est nécessaire.

Omcan Empresa De Fabricacion Y Distribucion Inc. Y Maquinaria De Alimentos De America, Inc. dba Omcan y Omcan Inc. no son responsables de ningun daño o perjuicio causado por cualquier persona inadecuada o el uso descuidado de este equipo. El producto solo podra ser operado por una persona mayor de 18 años, en su sano juicio y no bajo alguna influencia de droga o alcohol, y que este ha sido entrenado en el correcto funcionamiento de esta máquina, y ésta usando ropa apropiada y autorizada. Cualquier modificación a la máquina anula la garantía y puede causar daños a las personas usando la máquina mientras esta en el funcionamiento.

REVISE EL PAQUETE A SU LLEGADA

Tras la recepcion de un envio Omcan favor inspeccionar daños externos. Si no hay daños evidentes en el empaque exterior, Habra el carton para asegurarse que todos los articulos solicitados estén dentro de la caja y no encuentre daños ocultos en la máquina. Si el paquete ha sufrido un manejo de poco cuidado, golpes o daños (visible o oculto) por favor anote en la factura antes de aceptar la entrega y contacte Omcan dentro de las 24 horas, de modo que podamos iniciar una reclamación con la compañía. Un informe detallado sobre los daños causados a la máquina debe ser llenado en el plazo de tres días, desde la fecha de entrega que se muestra en los documentos de envío. Omcan no tiene ningun recurso por productos dañados que se enviaron a recoger por terceros.

Antes de utilizar cualquier equipo, siempre lea y familiarizarse con todas las instrucciones de funcionamiento y seguridad.

Omcan le gustaría darle las gracias por la compra de esta máquina. Es de la mayor importancia para salvar estas instrucciones para futuras consultas. Además, guarda la caja original y el embalaje para el envío del equipo si servicio técnico o devolución de la máquina que se requiere.

Safety and Warranty

Please pay close attention to the safety notices in this section. Disregarding these notices may lead to serious injury and/or damage to the unit.

ATTENTION

- To minimize shock and fire hazards, be sure not to overload outlet. Please designate one outlet for your unit.
- Do not use extension cords.

Safety and Warranty

- When the unit is not in use for a long period of time, please unplug the unit from the outlet.
- After unplugging the unit, wait at least 10 minutes before plugging it back in. Failure to do so could cause damage to the compressor.

UNPLUG CORD

- To minimize shock and fire hazards, please do not plug or unplug the cord with wet hands.
- During maintenance and cleaning, please unplug the unit.

PROPER GROUNDING REQUIRED

- To minimize shock and fire hazards, make sure that the unit is properly grounded.

WARNING

- Do not attempt to remove or repair any component unless instructed by factory.
- Make sure that the unit is not resting on or against the electrical cord and plug.
- To minimize personal injury, do not hang on the doors.
- Do not store any flammable and explosive gas or liquids inside the unit.
- Do not attempt to alter or tamper with the electrical cord.

DANGER – RISK OF FIRE OR EXPLOSION. FLAMMABLE REFRIGERANT USED. TO BE REPAIRED ONLY BY TRAINED SERVICE PERSONNEL. DO NOT PUNCTURE REFRIGERANT TUBING.

CAUTION – RISK OF FIRE OR EXPLOSION. FLAMMABLE REFRIGERANT USED. CONSULT REPAIR MANUAL/OWNER’S GUIDE BEFORE ATTEMPTING TO SERVICE THIS PRODUCT. ALL SAFETY PRECAUTIONS MUST BE FOLLOWED.

CAUTION – RISK OF FIRE OR EXPLOSION DUE TO PUNCTURE OF REFRIGERANT TUBING; FOLLOW HANDLING INSTRUCTIONS CAREFULLY. FLAMMABLE REFRIGERANT USED.

CAUTION – RISK OF FIRE OR EXPLOSION DUE TO FLAMMABLE REFRIGERANT USED. FOLLOW HANDLING INSTRUCTIONS CAREFULLY IN COMPLIANCE WITH LOCAL GOVERNMENT REGULATIONS.

IMPORTANT!!! PLEASE READ BEFORE INSTALLATION

- If the unit has recently been transported on its side, please let unit stand still for a minimum of 24 hours before plugging it in.
- Make sure that the unit drops down to desired temperature before loading the unit with product.
- Make sure that there is proper ventilation around the unit in the area where it will operate.
- Make sure all accessories are installed (i.e.. Shelves, shelf clips, casters) before plugging the unit in.
- Please read through the manual in its entirety.

CABINET LOCATION GUIDELINES

- Install the unit on strong and leveled surfaces.
 - Unit may be noisy if surface is uneven.
 - Unit may malfunction if surface is uneven.

Safety and Warranty

- Install the unit in an indoor, well-ventilated area.
 - Unit performs more efficiently in a well-ventilated area.
 - For best performance, please maintain clearance of 4" on the back and side of the unit. Brackets should be attached on the back of the unit.
 - Outdoor use may cause decreased efficiency and damage to the unit.
- Avoid installation in a high humidity and/or dusty area.
 - Humidity could cause unit to rust and decrease efficiency of the unit.
 - Dust collected on condenser coil will cause unit to malfunction.
 - Malfunction due to dirty condenser will void warranty.
- Select a location away from heat and moisture-generating equipment.
 - High ambient temperatures will cause the compressor to overwork, leading to higher energy bills and gradual breakdown of the unit. With the lid open, the unit should not be used in areas over 80 degrees. The unit should not be used in areas over 90 degrees.
 - Malfunction due to high ambient temperature will void warranty.

ELECTRICAL

- Please ensure that the required voltage of the compressor is being supplied at all times. Low or high voltage can detrimentally affect the refrigeration unit.
- All units should be plugged into a grounded and properly-sized electrical outlet with appropriate overcurrent protection. Please refer to the electrical requirements on the nameplate.
- Please make sure that your unit has its own dedicated outlet.
- Do not use an extension cord.

RESIDENTIAL USERS: Vendor assumes no liability for parts or labor coverage for component failure or other damages resulting from installation in non-commercial or residential applications. The right is reserved to deny shipment for residential usage; if this occurs, you will be notified as soon as possible.

1 YEAR PART AND LABOUR WARRANTY

Within the warranty period, contact Omcan Inc. at 1-800-465-0234 to schedule an Omcan authorized service technician to repair the equipment locally.

Unauthorized maintenance will void the warranty. Warranty covers electrical and part failures, not improper use.

Please see <https://omcan.com/disclaimer> for complete info.

WARNING:

The packaging components (cardboard, polyethylene, and others) are classified as normal solid urban waste and can therefore be disposed of without difficulty.

In any case, for suitable recycling, we suggest disposing of the products separately (differentiated waste) according to the current norms.

Safety and Warranty

DO NOT DISCARD ANY PACKAGING MATERIALS IN THE ENVIRONMENT!

Technical Specifications

Model	RS-CN-0004-P	RS-CN-0006-P	RS-CN-0009-P
Pan Capacity (1/3GN)	4	6	9
Pan Capacity (1/6GN)	8	12	18
Refrigerant	R600a		
Electrical	120V / 60Hz / 1		
Current	1.6A	1.8A	2A
Power	140W		
Temperature Range	2.2 - 10°C / 36 - 50°F		
Max Ambient Temp Rating	32°C / 90°F		
Dimensions	47" x 15.5" x 17" 1200 x 395 x 435mm	59" x 15.5" x 17" 1500 x 395 x 435mm	78.7" x 15.5" x 17" 2000 x 395 x 435mm
Packaging Dimensions	48.8" x 17" x 18" 1240 x 435 x 460mm	60.6" x 14.7" x 18" 1540 x 375 x 460mm	80" x 17" x 18" 2040 x 435 x 460mm
Weight	88 lbs. / 40 kgs.	132 lbs. / 60 kgs.	176 lbs. / 80 kgs.
Packaging Weight	176 lbs. / 80 kgs.	234 lbs. / 106 kgs.	282 lbs. / 128 kgs.
Item Number	46679	41937	46680

Installation

PACK CONTENTS

The following is included:

- Refrigerator or Freezer.
- Top glass panel.
- Rear glass panel.
- Side glass panels x 2.
- Instruction manual.
- Collars x 6.
- Bolt Assembly x 14 sets.
- Brackets x 7.
- Grub screws x 7.

Installation

- Screws x 12.
- Plugs x 14.
- Gastranorm adaptor bar.
- Adjustable feet x 4.

We pride itself on quality and service, ensuring that at the time of packaging the contents are supplied fully functional and free of damage. Should you find any damage as a result of transit, please contact Omcan immediately.

Note: If the unit has not been stored or moved In an upright position, let it stand upright for approximately 12 hours before operation.

1. Remove the appliance from the packaging. Make sure that all protective plastic film and coatings are thoroughly removed from all surfaces.
2. Maintain a distance of 20cm (7") between the unit and walls or other objects for ventilation. Increase this distance if the obstacle is a heat source.

Note: Before using the appliance for the first time, clean Interior with soapy water.

3. Level the appliance by adjusting the screw feet.

FIT GLASS PANELS

1. Screw the collars to the rim of the appliance.
Note: Ensure the hole in the collar for the grub screw faces inwards.

2. Slot the two side panels into the collars, with the holes in the glass at the top.

Note: Ensure the screw hole furthest from the edge of the panel goes to the back of the appliance.

3. Screw a grub screw into each collar to secure the panels.

Note: Ensure the soft end of the grub screw is the end making contact with the glass.

4. Slot the rear panel into the collars, with the holes in the glass at the top.

5. Screw a grub screw into each collar to secure the panel.

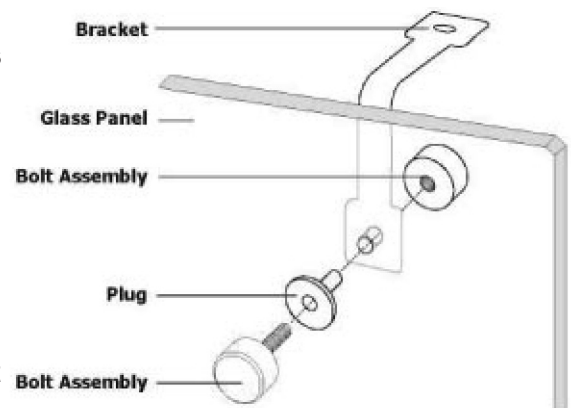
6. Slot the plastic plugs into each of the holes.

7. Screw the brackets to the inside of each pane using the bolt assemblies.

Note: Ensure the short end of the bolt assembly is on the outside of the panels.

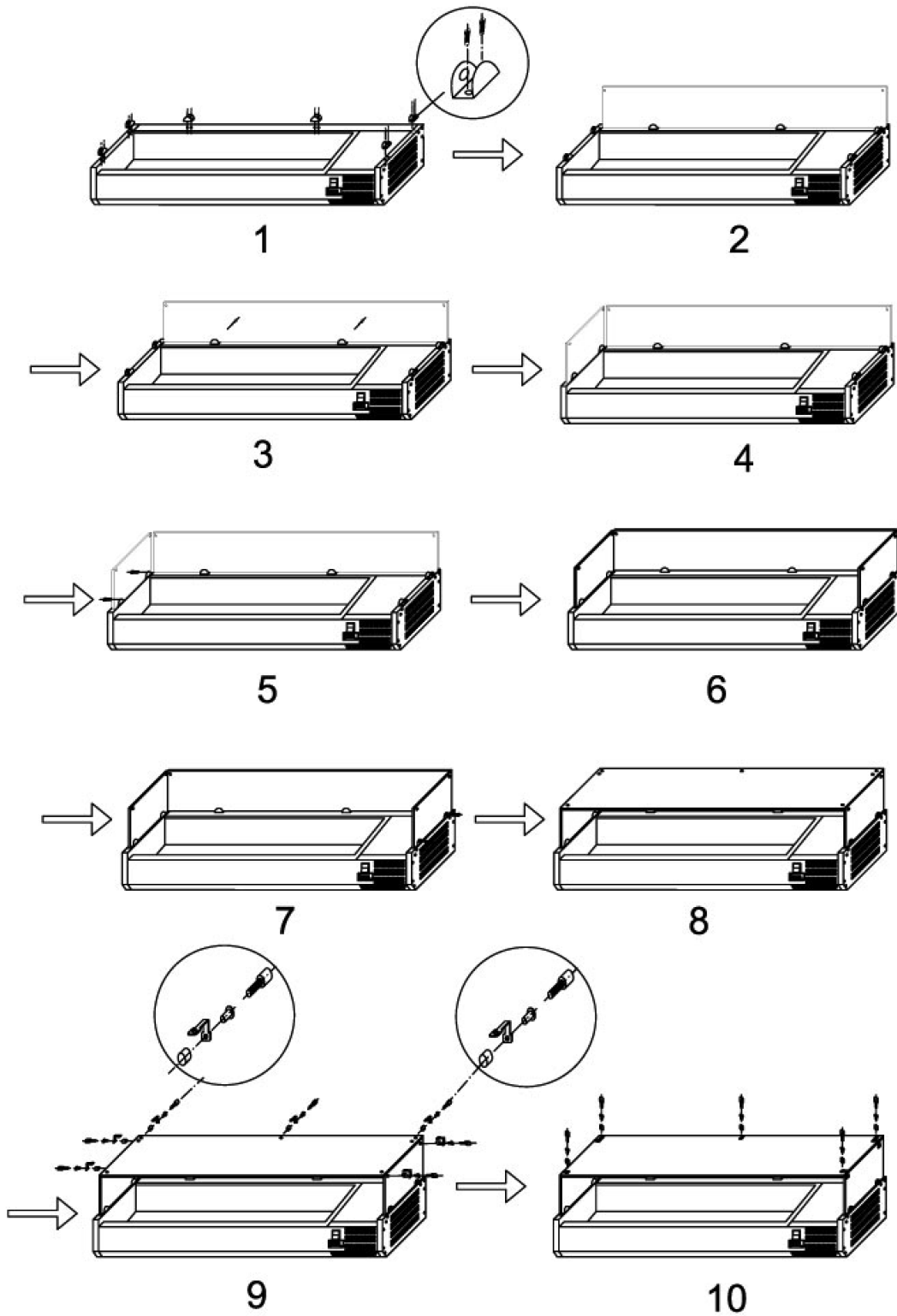
8. Place the top panel onto the brackets, ensuring all holes line up.

9. Insert the plugs and attach the top panel to the brackets with the bolt assemblies.



Installation

GLASS ASSEMBLY GUIDE



LOADING FOOD PANS

Counter top units are designed to function with all pans in place, even if some pans are to be left empty. For maximum food freshness, fill the pans only with an amount that can be used in a specific usage period. During non-use, please close the insulated lid cover or remove all food.

STORING FOOD

To get the best results from your appliance, follow these instructions:

1. Only store food stuffs in the appliance when it has reached the correct operating temperature.
2. Ensure gastronorm bays are full at all times. Empty bays will greatly reduce efficiency of the appliance.
3. Do not obstruct the fans inside the appliance.

OPERATING

1. Close the door(s) of the appliance.
2. Ensure the power switch is set to (0) and plug into the socket.
3. Switch on the Power (I). The current temperature within the appliance is displayed.

MANUAL DEFROST

The appliance will automatically run a defrost cycle every six hours.

Note: The cycle starts from the time the appliance is initially powered up.

TO MANUALLY DEFROST THE APPLIANCE:

1. Press and hold the DEFROST button for 5 seconds.
2. The defrost cycle will start immediately and the Defrost LED illuminates. The defrost will last a maximum of 30 minutes.

Note: Starting a manual defrost also resets the automatic defrost timer. The next automatic defrost will start six hours after the manual defrost has finished.

3. Waste water is collected in the waste water tray.

Maintenance

WARNING: DISCONNECT POWER CORD BEFORE CLEANING ANY PARTS OF THE UNIT.

CLEANING THE CONDENSER COIL

- For efficient operation, it is important that the condenser surface be kept free of dust, dirt, and lint.
- We recommend cleaning the condenser coil and fins at least once per month.
- Clean with a commercial condenser coil cleaner, available from any kitchen equipment retailer. Brush the condenser fins from top to bottom, not side to side.

Maintenance

- After cleaning, straighten any bent condenser fins with a fin comb.

CLEANING THE FAN BLADES AND MOTOR

If necessary, clean the fan blades and motor with a soft cloth. If it is necessary to wash the fan blades, cover the fan motor to prevent moisture damage.

CLEANING THE INTERIOR OF UNIT

- When cleaning the cabinet interior, use a solvent of warm water and mild soap.
- Do not use steel wool, caustic soap, abrasive cleaners, or bleach that may damage the stainless steel surface.

Troubleshooting

If your appliance develops a fault, please check the following table before call Omcan.

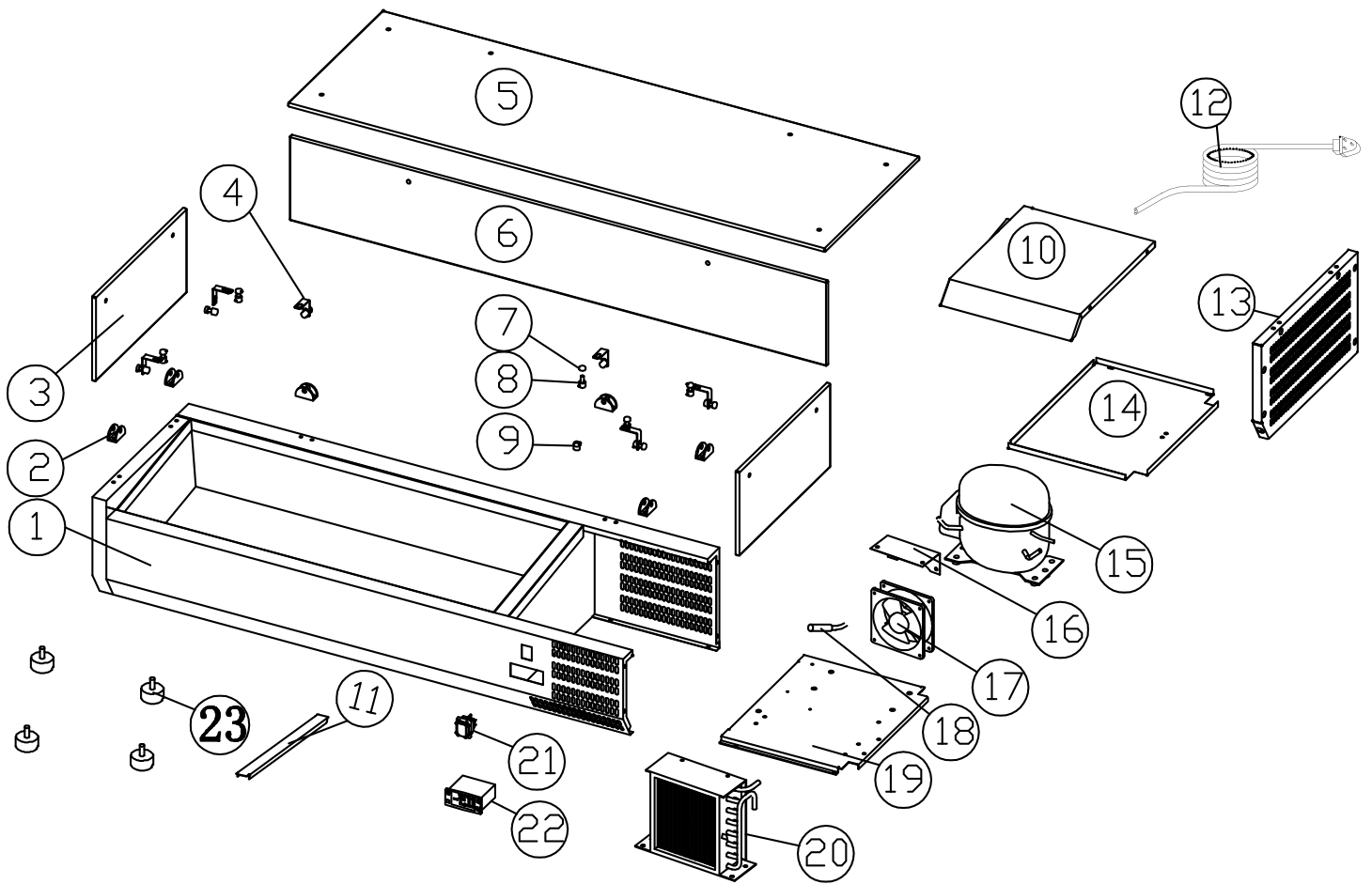
Fault	Probable Cause	Action
Compressor not running.	Fuse blown or circuit breaker tripped.	Replace fuse or reset circuit breaker.
	Power cord unplugged.	Plug in power cord.
	Thermostat set too high.	Set thermostat to lower temperature.
	Cabinet in defrost cycle.	Wait for defrost cycle to finish.
Condensing units run for long periods of time.	Excessive amount of warm product placed in cabinet.	Allow adequate time for product to cool down.
	Dirty condenser coil.	Clean the condenser coil.
	Evaporator coil iced over.	Unplug unit and allow coil to defrost. Make sure thermostat is not set too cold. Ensure that door gasket(s) are sealing properly.
Cabinet temperature is too warm.	Thermostat set too warm.	Set thermostat to lower temperature.
	Excessive amount of warm product placed in cabinet.	Allow adequate time for product to cool down.
	Fuse blown or circuit breaker tripped.	Replace fuse or reset circuit breaker.
	Dirty condenser coil.	Clean the condenser coil.
	Evaporator coil iced over.	Ensure doors are closed when not in use. Avoid opening doors for long periods of time.

Parts Breakdown

Model RS-CN-0004-P 46679

Model RS-CN-0006-P 41937

Model RS-CN-0009-P 46680



Parts Breakdown

Model RS-CN-0004-P 46679

Item No.	Description	Position	Item No.	Description	Position	Item No.	Description	Position
AD834	Body for 46679	1	AD820	Unit Room Cover for 46679	10	AD827	Unit Board for 46679	19
AE133	Glass Fixing Clip for 46679	2	AD836	Pan Support for 46679	11	AD828	Condenser for 46679	20
AF204	Side Glass for 46679	3	AD819	Power Cord for 46679	12	AD829	Main Switch for 46679	21
AE135	Glass Linking Clip for 46679	4	AD821	Side Cover for 46679	13	AD818	Thermostat for 46679	22
AE136	Top Glass for 46679	5	AD822	Unit Plate for 46679	14	AD830	Adjustable Feet for 46679	23
AE137	Back Glass for 46679	6	AD823	Compressor for 46679	15	AF817	Complete Glass Sneeze Guard for 46679	
AE138	Glass Fixing Screw for 46679	7	AD824	Fan Connection Board for 46679	16	AH177	Hardware Kit for Sneeze Guard for 46679	
AE139	Glass Linking Clip for 46679	8	AD825	Condenser Fan for 46679	17			
AE140	Bushing for 46679	9	AD826	Sensor for 46679	18			

Model RS-CN-0006-P 41937

Item No.	Description	Position	Item No.	Description	Position	Item No.	Description	Position
AD831	Body for 41937	1	AD820	Unit Room Cover for 41937	10	AD827	Unit Board for 41937	19
AE133	Glass Fixing Clip for 41937	2	AD833	Pan Support for 41937	11	AD828	Condenser for 41937	20
AF204	Side Glass for 41937	3	AD819	Power Cord for 41937	12	AD829	Main Switch for 41937	21
AE135	Glass Linking Clip for 41937	4	AD821	Side Cover for 41937	13	AD818	Thermostat for 41937	22
AE147	Top Glass for 41937	5	AD822	Unit Plate for 41937	14	AD830	Adjustable Feet for 41937	23
AE148	Back Glass for 41937	6	AD823	Compressor for 41937	15	AF818	Complete Glass Sneeze Guard for 41937	
AE138	Glass Fixing Screw for 41937	7	AD824	Fan Connection Board for 41937	16	AH177	Hardware Kit for Sneeze Guard for 41937	
AE139	Glass Linking Clip for 41937	8	AD825	Condenser Fan for 41937	17			
AE140	Bushing for 41937	9	AD826	Sensor for 41937	18			



Parts Breakdown

Model RS-CN-0009-P 46680

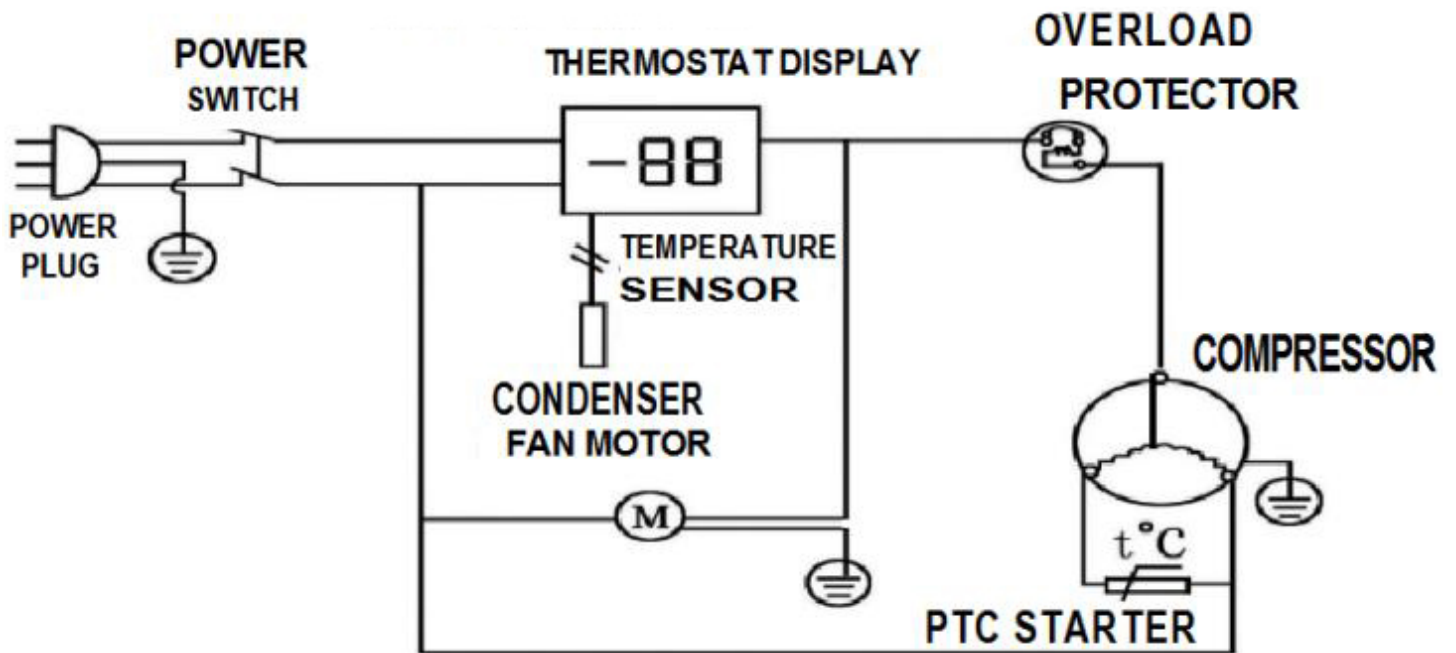
Item No.	Description	Position	Item No.	Description	Position	Item No.	Description	Position
AD812	Body for 46680	1	AD820	Unit Room Cover for 46680	10	AD827	Unit Board for 46680	19
AE133	Glass Fixing Clip for 46680	2	AD817	Pan Support for 46680	11	AD828	Condenser for 46680	20
AF204	Side Glass for 46680	3	AD819	Power Cord for 46680	12	AD829	Main Switch for 46680	21
AE135	Glass Linking Clip for 46680	4	AD821	Side Cover for 46680	13	AD818	Thermostat for 46680	22
AE149	Top Glass for 46680	5	AD822	Unit Plate for 46680	14	AD830	Adjustable Feet for 46680	23
AE150	Back Glass for 46680	6	AD823	Compressor for 46680	15	AF819	Complete Glass Sneeze Guard for 46680	
AE138	Glass Fixing Screw for 46680	7	AD824	Fan Connection Board for 46680	16	AH177	Hardware Kit for Sneeze Guard for 46680	
AE139	Glass Linking Clip for 46680	8	AD825	Condenser Fan for 46680	17			
AE140	Bushing for 46680	9	AD826	Sensor for 46680	18			

Electrical Schematics

Model RS-CN-0004-P 46679

Model RS-CN-0006-P 41937

Model RS-CN-0009-P 46680





Warranty Registration

Thank you for purchasing an Omcan product. To register your warranty for this product, complete the information below, tear off the card at the perforation and then send to the address specified below. You can also register online by visiting:

Merci d'avoir acheté un produit Omcan. Pour enregistrer votre garantie pour ce produit, complétez les informations ci-dessous, détachez la carte au niveau de la perforation, puis l'envoyer à l'adresse spécifiée ci-dessous. Vous pouvez également vous inscrire en ligne en visitant:

Gracias por comprar un producto Omcan usted. Para registrar su garantía para este producto, complete la información a continuación, cortar la tarjeta en la perforación y luego enviarlo a la dirección indicada a continuación. También puede registrarse en línea en:

<https://omcan.com/warranty-registration/>

For mailing in Canada

Pour postale au Canada

Por correo en Canadá

OMCAN

PRODUCT WARRANTY REGISTRATION

3115 Pepper Mill Court,

Mississauga, Ontario

Canada, L5L 4X5

For mailing in the US

Pour diffusion aux États-Unis

Por correo en los EE.UU.

OMCAN

PRODUCT WARRANTY REGISTRATION

4450 Witmer Industrial Estates, Unit 4,

Niagara Falls, New York

USA, 14305

or email to: service@omcan.com



Purchaser's Information

Name: _____

Address: _____

City: _____ Province or State: _____ Postal or Zip: _____

Country: _____

Dealer from which Purchased: _____

Dealer City: _____ Dealer Province or State: _____

Invoice: _____

Model Name: _____ Model Number: _____

Machine Description: _____

Date of Purchase (MM/DD/YYYY): _____

Would you like to extend the warranty? Yes No

Company Name: _____

Telephone: _____

Email Address: _____

Type of Company:

Restaurant Bakery Deli

Butcher Supermarket Caterer

Institution (*specify*): _____

Other (*specify*): _____

Serial Number: _____

Date of Installation (MM/DD/YYYY): _____

Thank you for choosing Omcan | Merci d'avoir choisi Omcan | Gracias por elegir Omcan



Since 1951 Omcan has grown to become a leading distributor of equipment and supplies to the North American food service industry. Our success over these many years can be attributed to our commitment to strengthen and develop new and existing relationships with our valued customers and manufacturers. Today with partners in North America, Europe, Asia and South America, we continually work to improve and grow the company. We strive to offer customers exceptional value through our qualified local sales and service representatives who provide convenient access to over 6,500 globally sourced products.

Depuis 1951 Omcan a grandi pour devenir un des “leaders” de la distribution des équipements et matériel pour l’industrie des services alimentaires en Amérique du Nord. Notre succès au cours de ces nombreuses années peut être attribué à notre engagement à renforcer et à développer de nouvelles et existantes relations avec nos clients et les fabricants de valeur. Aujourd’hui avec des partenaires en Amérique du Nord, Europe, Asie et Amérique du Sud, nous travaillons continuellement à améliorer et développer l’entreprise. Nous nous efforçons d’offrir à nos clients une valeur exceptionnelle grâce à nos ventes locales qualifiées et des représentants de service qui offrent un accès facile à plus de 6500 produits provenant du monde entier.

Desde 1951 Omcan ha crecido hasta convertirse en un líder en la distribución de equipos y suministros de alimentos en América del Norte industria de servicios. Nuestro éxito en estos años se puede atribuir a nuestro compromiso de fortalecer y desarrollar nuevas relaciones existentes con nuestros valiosos clientes y fabricantes. Hoy con socios de América del Norte, Europa, Asia y América del Sur, que trabajan continuamente para mejorar y crecer la empresa. Nos esforzamos por ofrecer a nuestros clientes valor excepcional a través de nuestro local de ventas y representantes de los servicios que proporcionan un fácil acceso a más de 6,500 productos con origen a nivel mundial.

