



PROJECT NAME: \_\_\_\_\_

LOCATION: \_\_\_\_\_

ITEM: \_\_\_\_\_ QTY: \_\_\_\_\_

MODEL: \_\_\_\_\_



MODEL SRHP-4-24  
(Pictured above)

## SRHP-2-12 | SRHP-4-24 | SRHP-6-36 SRHP-8-48 | SRHP-10-60 GAS HOT PLATE SRHP SERIES

Sierra series gas hot plate was developed to provide the best cooking experience, combining high standard of quality, performance and durability to satisfy all professional kitchens demands.



## STANDARD FEATURES

- Available in 12" (305 mm), 24" (610 mm), 36" (915 mm), 48" (1,220 mm) and 60" (1,525 mm) width.
- Stainless steel front and sides.
- 12" x 12" cast iron top grates designed for easy movement of pots across top sections.
- Deflectors to direct waste to crumb/drip pan.
- Orange paint injected aluminum knobs providing for better toughness and durability.
- 4" adjustable chromed carbon steel legs.
- Easily removable stainless steel grease trap.
- Units are shipped ready for natural gas (NG). A propane gas (LP) conversion kit and NG/LP regulator is supplied with the unit.

### GRIDDLE GREASE TRAP CAPACITY

COLLECTING TRAY CAPACITY	MODEL				
	SRHP-2-12	SRHP-4-24	SRHP-6-36	SRHP-8-48	SRHP-10-60
	0.61 gal (2.3 L)	2.20 gal (8.4 L)	3.81 gal (14.4 L)	6.07 gal (23 L)	7.62 gal (28.8 L)

\* Note: The HP1060 model has two grease trays with capacity of 3.81 gal (14.4L) in its structure.

## ACCESSORIES/OPTIONAL

- Pressure regulator
- Propane gas (LP)/natural gas (NG) conversion kits.

SRHP05172022



www.mvpgroupcorp.com

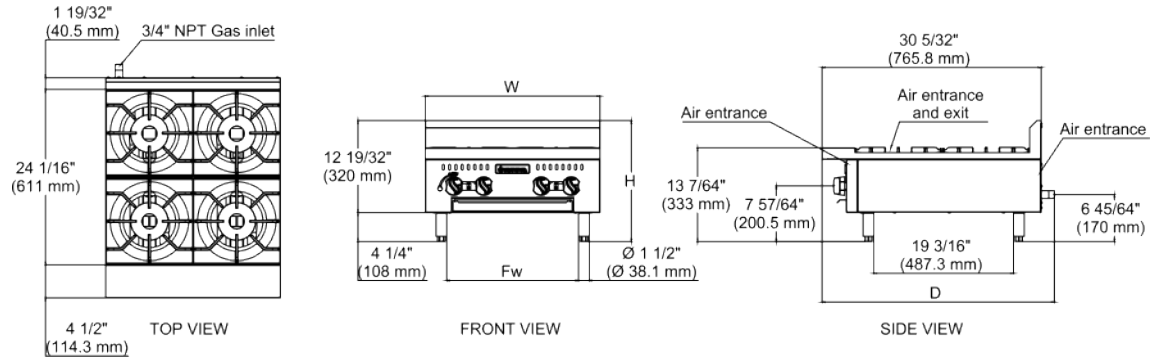


3560 NW 56th Street  
Fort Lauderdale, FL 33309  
Tel.: 786.600.4687 / Toll Free: 844.218.8477  
Fax.: 786.661.4100



5659 Royalmount Avenue  
Montreal, Qc, Canada H4P 2P9  
Tel.: 514.737.9701 / Toll Free: 888.275.4538  
Fax.: 514.342.3854 / Toll Free: 877.453.8832

sales@mvpgroupcorp.com



## SPECIFICATIONS

Models	Exterior Product Dimensions & Weight					Shipping Crate Dimensions & Weight			
	Width (W)	Depth (D)	Height (H)	Fw	Weight	Width	Depth	Height	Weight
SRHP-2-12	12" (305 mm)	32" (812.8 mm)	16 27/32" (428 mm)	9 5/64" (230.5 mm)	70 lb (32 kg)	16 9/64" (410 mm)	34 1/4" (870 mm)	18 1/2" (490 mm)	93 lb (42 kg)
SRHP-4-24	24" (610 mm)	32" (812.8 mm)	16 27/32" (428 mm)	18 3/32" (459.5 mm)	121 lb (55 kg)	28 1/16" (715 mm)	34 1/4" (870 mm)	18 1/2" (470 mm)	154 lb (70 kg)
SRHP-6-36	36" (915 mm)	32" (812.8 mm)	16 27/32" (428 mm)	31 9/32" (794.5 mm)	174 lb (79 kg)	40 1/32" (1020 mm)	34 1/4" (870 mm)	18 1/2" (470 mm)	218 lb (99 kg)
SRHP-8-48	48" (1220 mm)	32" (812.8 mm)	16 27/32" (428 mm)	43 9/32" (1099.5 mm)	238 lb (108 kg)	52 31/32" (1320 mm)	34 1/4" (870 mm)	18 1/2" (470 mm)	298 lb (135 kg)
SRHP-10-60	60" (1525 mm)	32" (812.8 mm)	16 27/32" (428 mm)	55 19/64" (1404.5 mm)	300 lb (136 kg)	64 1/16" (1630 mm)	34 1/4" (870 mm)	18 1/2" (470 mm)	352 lb (160 kg)

## UTILITY INFORMATION

Models	Burners	GAS SUPPLY			
		Propane	Natural	Manifold Pressure	
		BTU/h	BTU/h	Natural Gas	Propane Gas
SRHP-2-12	2	50,000	50,000	4" W.C.	10" W.C.
SRHP-4-24	4	100,000	100,000		
SRHP-6-36	6	150,000	150,000		
SRHP-8-48	8	200,000	200,000		
SRHP-10-60	10	250,000	250,000		

- 25,000 BTU/h burners, providing best performance.
- Manifold pressure is 4" W.C (natural gas) or 10" W.C (propane gas).
- 3/4" NPT rear gas connection and pressure regulator for both natural gas and propane.
- Check the altitude specifications above 2,000 ft.

\* NOTE: In line with its policy to continually improve its product, Sierra Range reserves the right to change materials and specifications without notice.

## INSTALLATION INSTRUCTIONS

A pressure regulator sized for this unit is included. The gas line connecting to the range must be 3/4" or larger. If flexible connectors are used, the inside diameter must be 3/4" or larger. An adequate ventilation system is required for commercial cooking equipment. Information may be obtained by writing to the National Fire Protection Association, 1 Batterymarch Park, Quincy, MA 02269, www.NFPA.org. When writing, refer to NFPA No. 96.4. These units are manufactured for installation in accordance with ANSZ223.1A (latest edition), National Fuel Gas Code.

Copies may be obtained from The American Gas Association, 400 N Capitol St. NW, Washington, DC 20001, www.AGA.org.

**Warranty:** 12 months parts & labor. See Sierra Range Price List for full details.

**Gas Connection:** 3/4" NPT on the right hand rear of the appliance. The pressure regulator (supplied) is to be connected here by the installer.

**Gas pressure:** 4" W.C. - Natural Gas | 10" W.C. - Propane.

**Combustible Clearances:** For use in non-combustible locations | Non-combustible Clearances: 0 inches sides, 0 inches rear Specify type of gas and altitude, if over 2,000 feet, when ordering.

**SIERRA RANGE** is a registered trademark of **MVP Group**.

Due to continuing product development, to ensure best possible performance, the specifications are subject to change without prior notice.