



Project:

Item Number:


Quantity:

FROZEN UNCARBONATED BEVERAGE DISPENSERS



DESCRIPTION

Stoelting's Frozen Uncarbonated Beverage Dispensers mix and serve a variety of frozen beverages including margaritas, granitas, slushes, coffee drinks, and dairy-based products. They are the ideal choice for bars and restaurants looking for flexibility, capacity and simple operation in a compact footprint.

 Every machine includes Stoelting's White Glove Service. One call does it all – customer service, technical service, parts or warranty information, installation, startup, sales, on-site service dispatch and much more. Available 24 hours a day, seven days a week year-round.

ITEMS

115V Single Phase	208-230V Single Phase
Air Cooled	
A118-37	A118-38
A118-37-AF	A118-38-L
A118-37-L	D118-38
D118-37	D118-38-AF
D118-37-L	D118-38-L
	D118-38-L-AF
Water Cooled	
A118-17	A118-18
A118-17-L	A118-18-L
D118-17	D118-18
D118-17-L	D118-18-L
	D118-18-L-AF

ACCESSORIES & OPTIONS

- 4177349** Fill-O-Matic II Electric remote fill system
- 4177370** Fill-O-Matic III Gas remote fill system
- Lighted Door (L suffix)** LED illuminated clear window showcases drinks
- Auto Fill Ready (AF Suffix)** Connect a remote fill system directly to the dispenser. Requires a remote fill system.

FEATURES

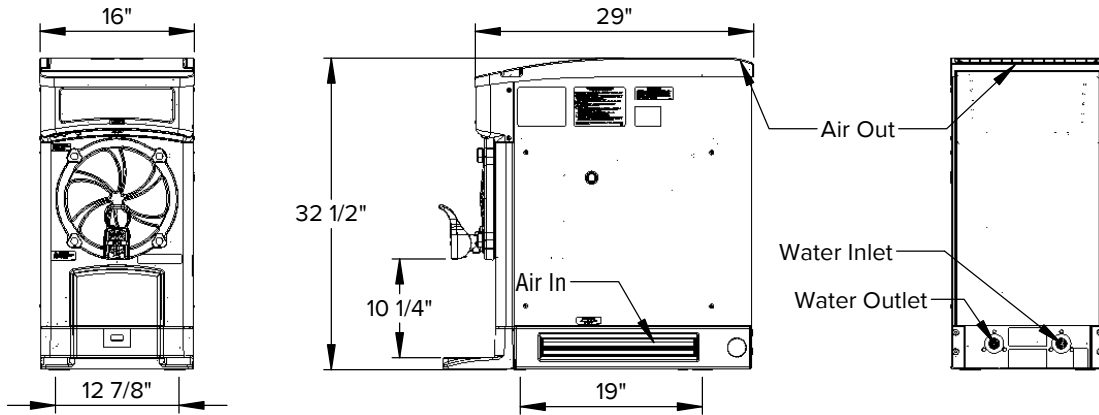
- Push/Pull self-closing handle for easy, single hand operation
- Extremely quiet, lowest decibel level in industry
- Base tray accommodates full-size, 32 oz. pitcher
- Large capacity, high volume drink production
- Can be configured to serve a variety of drinks
- Compact design requires zero clearance at the back, sits flush to the wall to allow for optimal countertop usage
- Customizable illuminated billboard space
- Available in air-cooled or water-cooled
- Mix level indicator
- Single switch for simple operation and cleaning
- Integrated hopper cover prevents accidental spills in the hopper
- Torque cutoff prevents freeze-up
- 6 ft. (182.9 cm) cord with plug

Continuous research leads to ongoing product improvements; therefore, these specifications are subject to change without notice and should not be used as installation specifications.

Approvals	Date

FROZEN UNCARBONATED BEVERAGE DISPENSERS

DIMENSIONS



GENERAL SPECIFICATIONS

Item	Capacity gallon (L)	Freezing Cylinder			Hopper Capacity gallon (L)	Drive Motor (hp)	Weight lb (kg)	Crated Weight lb (kg)
		Btu/hr	Refrigerant	Charge (oz)				
A118	2 (7.57)	4,500	R-448A	A/C: 24 W/C: 18	5 (18.9)	1/7	210 (95.3)	232 (105.2)
D118	2 (7.57)	8,000	R-448A	A/C: 24 W/C: 18	5 (18.9)	1/7	210 (95.3)	240 (108.9)

- Indoor use only.
- Maximum ambient temperature: 100°F (37.8°C).
- Requires a dedicated electrical circuit.
- Power cord provided.
- Air cooled units require: 3" (7.6 cm) air space on both sides.
- Water cooled units require: 1/2" N.P.T. water and drain fittings
- Details on CAD Revit Symbols Libraries are available on stoelting.klccad.com

ITEM NUMBER SPECIFICATIONS

Model Number	Cooling	Phase	Volts	Hz	Running Amps	Cord with Plug (Included)	Lighted Door	Auto Fill Ready
A118-37	Air	1	115	60	10.2	NEMA 5-20P	—	—
A118-37-AF							—	✓
A118-37-L							✓	—
A118-38	Air	1	208-240	60	7.8	NEMA 6-20P	—	—
A118-38-L							✓	—
A118-17	Water	1	115	60	10.2	NEMA 5-20P	—	—
A118-17-L							✓	—
A118-18	Water	1	208-240	60	7.8	NEMA 6-20P	—	—
A118-18-L							✓	—
D118-37	Air	1	115	60	13.5	NEMA 5-20P	—	—
D118-37-L							✓	—
D118-38	Air	1	208-240	60	8.6	NEMA 6-20P	—	—
D118-38-AF							—	✓
D118-38-L							✓	—
D118-38-L-AF							✓	✓
D118-17	Water	1	115	60	13.5	NEMA 5-20P	—	—
D118-17-L							✓	—
D118-18	Water	1	208-240	60	8.6	NEMA 6-20P	—	—
D118-18-L							✓	—
D118-18-L-AF							✓	✓



Service Information
 800-319-9549 (U.S. Toll Free)
 920-894-2293 (Outside the U.S.)
www.stoeltingfoodservice.com
www.vollrath.com