

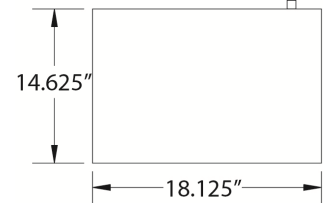


**GOLD MEDAL® PRODUCTS CO.**

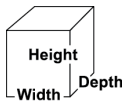
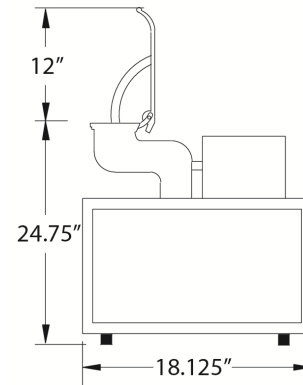
# Shav-A-Doo

Model No. 1203-00-000

## Specifications



Cabinet Base - Top View



### Overall Dimensions:

**Width:** 25.25" (includes hopper)  
**Depth:** 15.75"  
**Height:** 26.25" (with hopper closed)

### Features:

- Ice Shaver with hinged door.

### Electrical - Domestic

120V  
972 WATTS 60 Hz  
(NEMA 5-15P) Plug

### Plug Type:



NEMA 5-15P

### Agency Approvals:



**Gold Medal Products Co.**  
10700 Medallion Drive, Cincinnati, OH 45241

Ph: (513) 769-7676, (800) 543-0862; Fax: (513) 769-8500  
gmpopcorn.com info@gmpopcorn.com