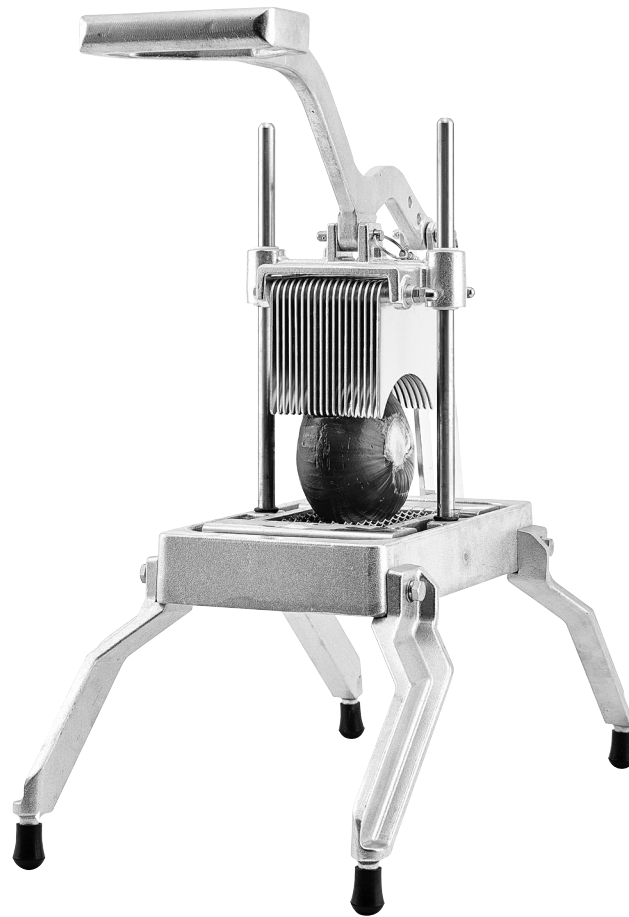


Visit [www.wincous.com](http://www.wincous.com) for manuals in English, French, & Spanish  
Visite [www.wincous.com](http://www.wincous.com) para ver manuales en inglés, francés y español.  
Visitez [www.wincous.com](http://www.wincous.com) pour les manuels en anglais, français et espagnol.

# winco® KATTEX™ ONION SLICER

OS-188  
OS-250



## Warranty Service

To initiate warranty service contact:  
[equipservice@wincous.com](mailto:equipservice@wincous.com) or call: 973-295-3899

**DO NOT** send unit to WINCO without first contacting  
our customer service department.

For California Customers

 **WARNING:** Cancer and Reproductive Harm - [www.P65Warnings.ca.gov](http://www.P65Warnings.ca.gov)

2020507

# INTRODUCTION

Congratulations on the purchase of your KATTEX machine. Please take the time to carefully read through this manual to ensure the machine is operated and maintained properly, to ensure the best possible performance from this product for many years.

## WINCO will not accept liability if:

- The instructions in this manual have not been followed correctly.
- Non-authorized personnel have tampered with the machine.
- Non-original spare parts are used.
- The machine has not been handled and cleaned correctly.
- There is any use damage to the unit.

# SAFETY



**WARNING: THE BLADES ARE VERY SHARP. PLEASE USE CAUTION WHEN HANDLING AND OPERATING THE MACHINE AND KEEP HANDS AWAY FROM ALL CUTTING EDGES.**



**AVERTISSEMENT: TRÈS COUPANTES TRÈS COUPANTES. VEUILLEZ FAIRE PREUVE DE PRUDENCE LORSQUE VOUS MANIPULEZ ET UTILISEZ LA MACHINE ET GARDEZ LES MAINS ÉLOIGNÉES DE TOUS LES BORDS DE COUPE.**



**WARNING: IMPROPER INSTALLATION, ADJUSTMENT, ALTERATION, SERVICE OR MAINTENANCE CAN CAUSE PROPERTY DAMAGE, INJURY, OR DEATH. READ THE INSTALLATION, OPERATION, AND MAINTENANCE INSTRUCTIONS THOROUGHLY BEFORE INSTALLING OR SERVICING THIS EQUIPMENT.**



**AVERTISSEMENT: TOUTE INSTALLATION, RÉGLAGE, MODIFICATION, RÉPARATION OU ENTRETIEN INCORRECT PEUT OCCASIONNER DES DOMMAGES MATÉRIELS, DES BLESSURES GRAVES OU LA MORT. LIRE LES INTRUCTIONS D'INSTALLATION, D'UTILISATION ET D'ENTRETIEN ATTENTIVEMENT AVANT D'INSTALLER OU DE RÉPARER CET APPAREIL.**



**CAUTION: THESE MODELS ARE DESIGNED, BUILT, AND SOLD FOR COMMERCIAL USE ONLY. IF THESE MODELS ARE POSITIONED SO THE GENERAL PUBLIC CAN USE THE EQUIPMENT, MAKE SURE THAT CAUTION SIGNS, WARNINGS, AND OPERATING INSTRUCTIONS ARE CLEARLY POSTED NEAR EACH UNIT SO THAT ANYONE USING THE EQUIPMENT WILL USE IT CORRECTLY AND NOT INJURE THEMSELVES OR HARM THE EQUIPMENT.**



**ATTENTION: CES MODÈLES SONT CONÇUS, FABRIQUÉS, ET VENDUS POUR UN USAGE COMMERCIAL SEULEMENT. SI CES MODÈLES SONT PLACÉS POUR QUE LE GRAND PUBLIC PUISSE LES UTILISER, ASSUREZ-VOUS QUE LES CONSIGNES D'ATTENTION, D'AVERTISSEMENT, ET LES INSTRUCTIONS D'UTILISATION SOIENT CLAIREMENT AFFICHÉES PRÈS DE CHAQUE UNITÉ DE SORTE QUE N'IMPORTE QUEL UTILISATEUR DE L'APPAREIL L'EMPLOIE CORRECTEMENT ET NE SE BLESSE PAS OU N'ENDOMMAGE PAS L'APPAREIL.**



**WARNING: A FACTORY AUTHORIZED SERVICE PROVIDER SHOULD HANDLE ALL MAINTENANCE AND REPAIR. BEFORE DOING ANY MAINTENANCE OR REPAIR, FOLLOW SERVICE SET UP ARRANGEMENT.**



**AVERTISSEMENT: UN TECHNICIEN AUTORISÉ PAR L'USINE DEVRA EFFECTUER TOUT L'ENTRETIEN ET LES RÉPARATIONS. AVANT DE FAIRE TOUT ENTRETIEN OU RÉPARATION, VEUILLEZ CONTACTER WINCO.**

## SAFETY (CONT.)

**To ensure safe installation and operation, please carefully read and understand the following statements.**

**Unless the operator is adequately trained and supervised there is a possibility of serious injury. Owners of this equipment bear the responsibility to make certain that this equipment is used properly and safely, and to strictly follow all of the instructions contained in this manual and the requirements of local, state or federal law.**

**Owners should not permit anyone to touch this equipment unless they are over 18 years old, are adequately trained and supervised, and have read and understood this manual.**

**Owners should also ensure that no customers, visitors or other unauthorized personnel come in contact with this equipment. It is the responsibility of the owner and the operator to remain alert to any hazards posed by the function of this equipment.**

**If there is ever uncertainty about a particular task or the proper method of operating this equipment, ask an experienced supervisor.**

**Note: Please remember that this manual and the warning labels do not replace the need to be alert, to properly train and supervise operators, and to use common sense when using this equipment.**

## PACKAGE CONTENTS

**All KATTEX Onion Slicers come with the following:**

- Onion Slicer (OS-188 / OS-250)
- Wrench
- Operating Instruction Manual

**WINCO® prides itself on quality and service, ensuring that at the time of packing, all products are supplied fully functional and free of damage. Should you find any damage as result of freight, please contact your WINCO® dealer immediately.**

## UNPACKING THE EQUIPMENT

**Dispose of all packaging materials in an environmentally responsible manner.**

1. Remove all packing materials and tape, as well as any protective plastic and cardboard from the unit.
2. Clean any glue residue left over from the plastic or tape.
3. Place the unit in the desired position and height.

**SAVE THE ORIGINAL BOX AND PACKAGING FOR USE IN PACKAGING AND SHIPPING THE EQUIPMENT IF SERVICES ARE NEEDED.**

# PREPARATION

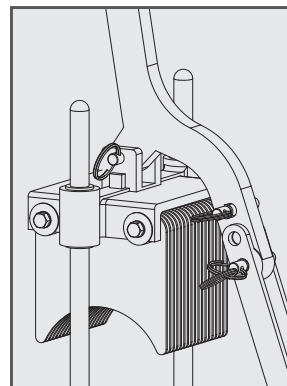
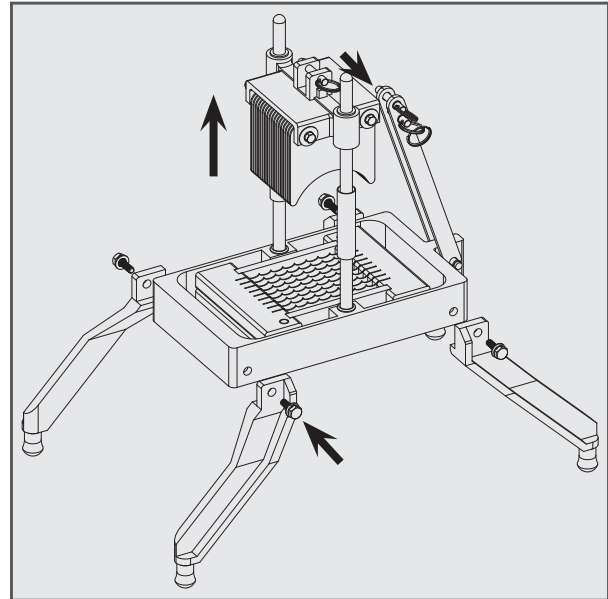
Since the push assembly and blade block assemblies for different sized cuts are interchangeable, you may have more than one set available for use. Before slicing, please ensure that the push assembly is the correct one to use for the desired cut size. Gently lower the push assembly onto the blade block assembly to ensure that the push assembly rests on the bumpers. If it does not, adjustments need to be made prior to beginning the chopping procedure.

1. Remove the cable ties.
2. Remove locking pin from the push assembly. Slide the push assembly and PVC pipes off the guiding rods. Discard the PVC pipes.
3. Using the wrench provided, remove the hex bolt, lock washer, and washer from the base. Using the wrench provided, attach the leg to the base with the hex bolt, lock washer, and washer. Repeat process for the remaining legs.

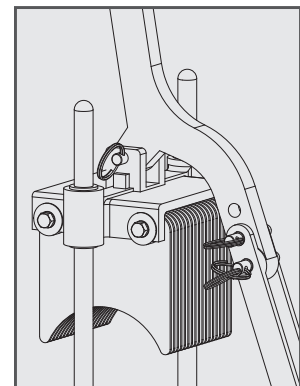
**Note:** There are left and right legs.

4. Slide the push assembly back on the guide rods. Attach the handle with the locking pins.

**Note:** Configuration 1 is for in use and Configuration 2 is for locking the handle and push assembly in up position.



Config. 1 - in use



Config. 2 - locked

# OPERATION

1. Place the onion slicer on a firm work surface or countertop.
2. Lift the handle and place the produce on the blades.



**WARNING: THE BLADES ARE VERY SHARP. PLEASE USE CAUTION WHEN HANDLING**

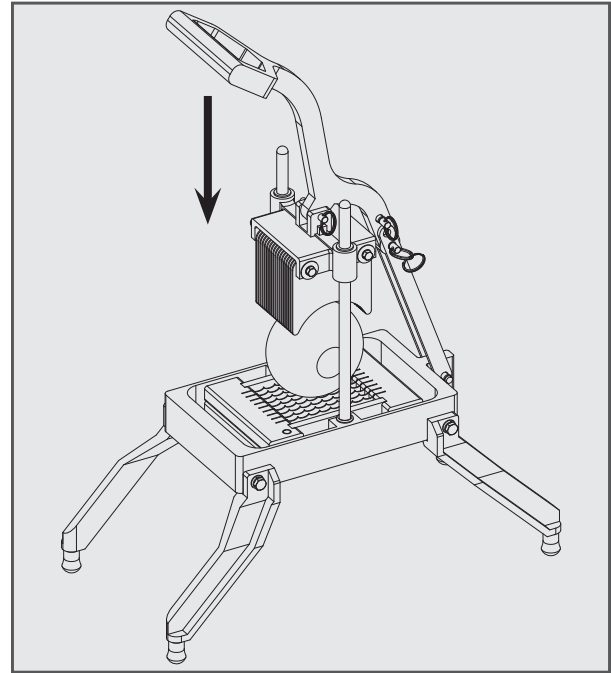


**WARNING: DO NOT ATTEMPT TO CHOP PRODUCE LARGER THAN THE OPENING IN THE BLADE HOLDER.**

*Tip: Place the onion vertically for rings*

*Tip: Place the onion horizontally for julienne cut*

4. Ensure that all hands and fingers are not in the cutting area.  
With a strong, quick thrust, bring the push assembly down to force the produce through the blades.
5. Clean the machine after cutting is completed in accordance with the cleaning instructions.



***Having trouble getting started?***

***Contact our service department at [equipservice@wincous.com](mailto:equipservice@wincous.com) or 973-295-3899***

***DO NOT send unit to WINCO without first contacting our customer service department.***

# CLEANING

Cleaning of the device is important to assuring optimal performance and longevity. Minimize the use of alkaline or acidic cleaners, as they may cause pitting and dulling of the finish.

1. Remove the pin on the push assembly, move the handle out of the way, and lift the push assembly off the guide rods.
2. Remove the blade assemblies off the pins, one at a time from the base.



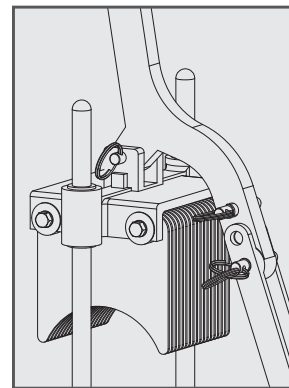
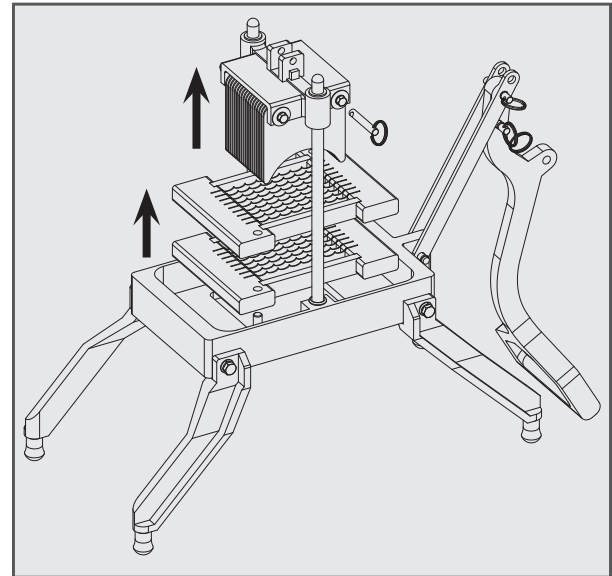
**WARNING: THE BLADES ARE VERY SHARP.**  
PLEASE USE CAUTION WHEN HANDLING

*Note: The blade assemblies can also be removed when the push assembly is locked in the up position.*

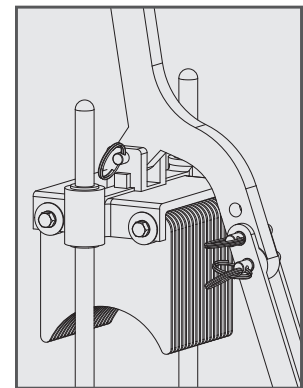
3. Thoroughly wash/rinse/sanitize parts in warm soapy water, dry and carefully reassemble.

*Note: Hand washing unit is recommended as washing in a commercial dishwasher will cause the all aluminum parts to darken over time, this is normal, and does not effect the general operation of the unit.*

*Note: Either blade assembly can be placed on the bottom or top.*



Config. 1 - in use

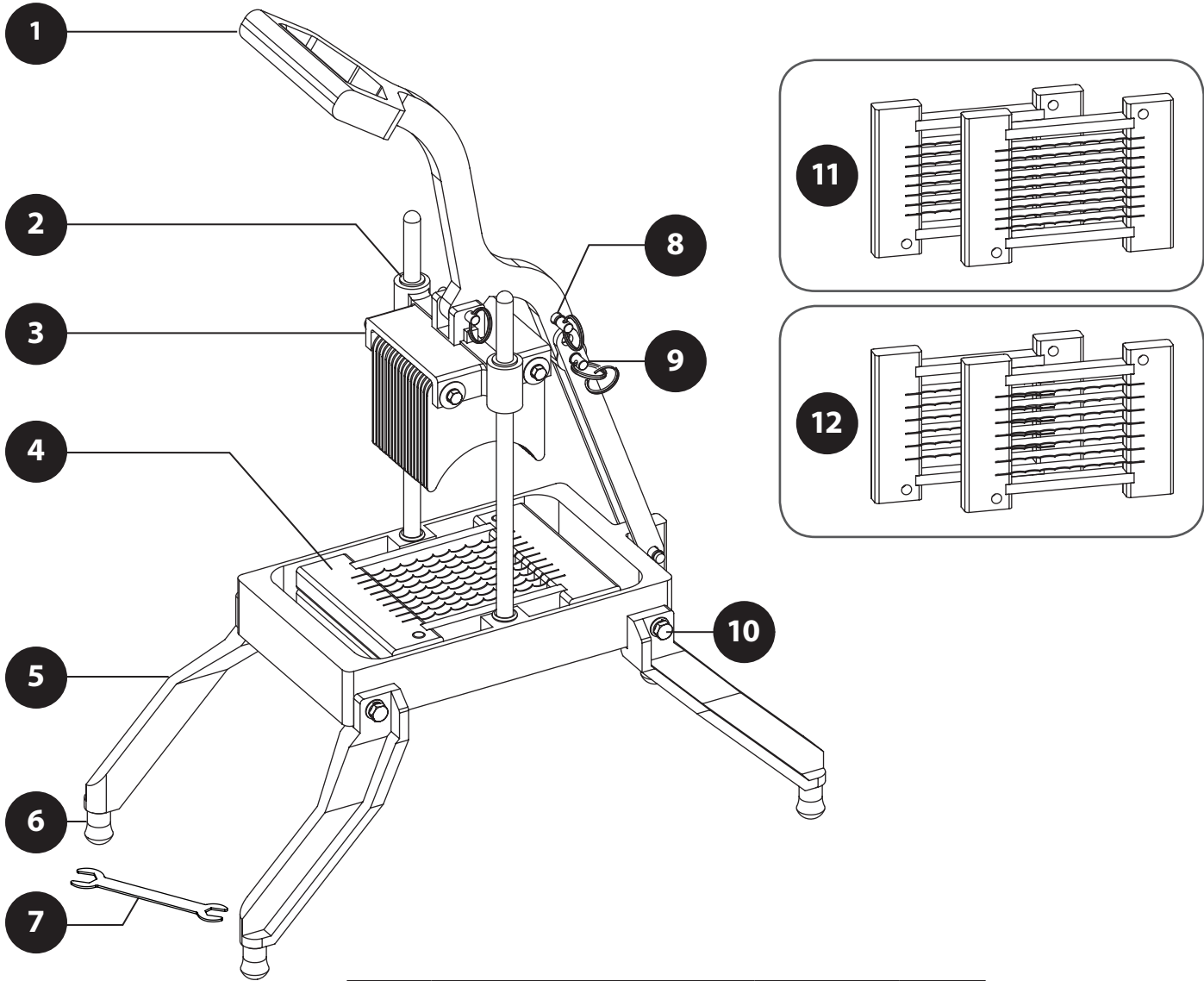


Config. 2 - locked

# MAINTENANCE

As needed, lubricate the guide rods with mineral oil, food grade grease, or rub them with Paraffin. Do not lubricate with cooking oil.

# PARTS LIST



No.	Description	Part #	QTY
1	Handle		1
2	Plastic Bushing	KAT-BS-OT	4
3	Push Assembly		3
4	Blade Assembly Set		1
5	Leg (2 Left & 2 Right)		4
6	Rubber Foot	KAT-FT	4
7	Dual-Sided Wrench	KAT-WR	1
8	Locking Pin		1
9	Pin with Chain		1
10	Hex Bolt, Locking Ring, Washer		4
11	3/16" Blade Assembly Set	OS-188B	1
12	1/4" Blade Assembly Set	OS-250B	1

**Not seeing what you're looking for?**  
**Contact our service department [equipservice@wincous.com](mailto:equipservice@wincous.com)**

# WARRANTY

**NOTE: WARRANTY DOES NOT COVER THE PUSHER BLOCKS AND BLADE ASSEMBLY BLOCKS (PLUS PARTS).**

**WINCO warrants to the original purchaser of new equipment and non-electrical food preparation products (other than blades), when installed in accordance with our instructions within North America and subjected to normal use, is free from defects in material or workmanship for a period of 1 year. The labor warranty is one year from original installation or 18 months from actual factory shipment date, whichever date occurs first.**

**THIS WARRANTY IS IN LIEU OF ALL OTHER WARRANTIES, WHETHER EXPRESSED OR IMPLIED. WINCO EXPRESSLY DISCLAIMS ANY IMPLIED WARRANTY OF MERCHANTABILITY OR EXPRESSED OR IMPLIED WARRANTY OF FITNESS FOR A PARTICULAR PURPOSE.**

**WINCO'S OBLIGATION AND LIABILITY UNDER THIS WARRANTY IS EXPRESSLY LIMITED TO REPAIRING AND REPLACING EQUIPMENT THAT PROVES TO BE DEFECTIVE IN MATERIAL OR WORKMANSHIP WITHIN THE APPLICABLE WARRANTY PERIOD.**

**IN NO EVENT SHALL WINCO BE LIABLE FOR INCIDENTAL OR CONSEQUENTIAL DAMAGES TO BUYER OR ANY THIRD PARTY, INCLUDING, WITHOUT LIMITATION, LOSS OF PROPERTY, PERSONAL INJURY, LOSS OF BUSINESS OR PROFITS OR OTHER ECONOMIC LOSSES, OR STATUTORY OR EXEMPLARY DAMAGES, WHETHER IN NEGLIGENCE, WARRANTY, STRICT LIABILITY, OR OTHERWISE.**

***This warranty is given only to the first purchaser from a retail dealer. No warranty is given to subsequent transferees. Warranty does not cover product failures caused by: failure to maintain, neglect, abuse, damage due to excess water, fire, normal wear, improper set up and use. Periodic maintenance is not covered. This warranty is not in force until such time as a properly completed and digitally signed Installation/Warranty Registration has been received by WINCO within 30 days from the date of installation.***

## WARRANTY SERVICE

**To initiate warranty service contact: [equipservice@wincous.com](mailto:equipservice@wincous.com) or call: 973-295-3899**

**DO NOT send unit to WINCO® without first contacting our customer service department. Please provide or have the following information available:**

- Model Number
- Date of Purchase
- Purchase Dealer
- Operator / Installation Contact Information
- Business Name & Business Address
- Contact Name & Contact Telephone Number

## REGISTER ONLINE AT:

**<http://www.wincous.com>**

***Proof of purchase is required to extend warranty more than 1 year from date of shipment from the factory.***

**THE FOREGOING WARRANTY PROVISIONS ARE A COMPLETE AND EXCLUSIVE STATEMENT BETWEEN THE BUYER AND SELLER. WINCO® NEITHER ASSUMES NOR AUTHORIZES ANY PERSONS TO ASSUME FOR IT ANY OTHER OBLIGATION OR LIABILITY IN CONNECTION WITH SAID EQUIPMENT.**

## ***Examples of items not covered under warranty, but not limited to just these items:***

1. Acts of God, fire, water damage, burglary, accident, theft.
2. Freight damage.
3. Improper installation or alteration of equipment.
4. Use of generic or after-market parts.
5. Repairs made by anyone other than a WINCO® designated service provider.
6. Lubrication.
7. Expendable wear parts, adjustable feet, blown fuses, lamps, etc.
8. Cleaning of equipment.
9. Misuse or abuse.

## ***Warranty voided if:***

1. Product is altered by user
2. Serial number plate is removed
3. Product is installed in a prison or any correctional facility.