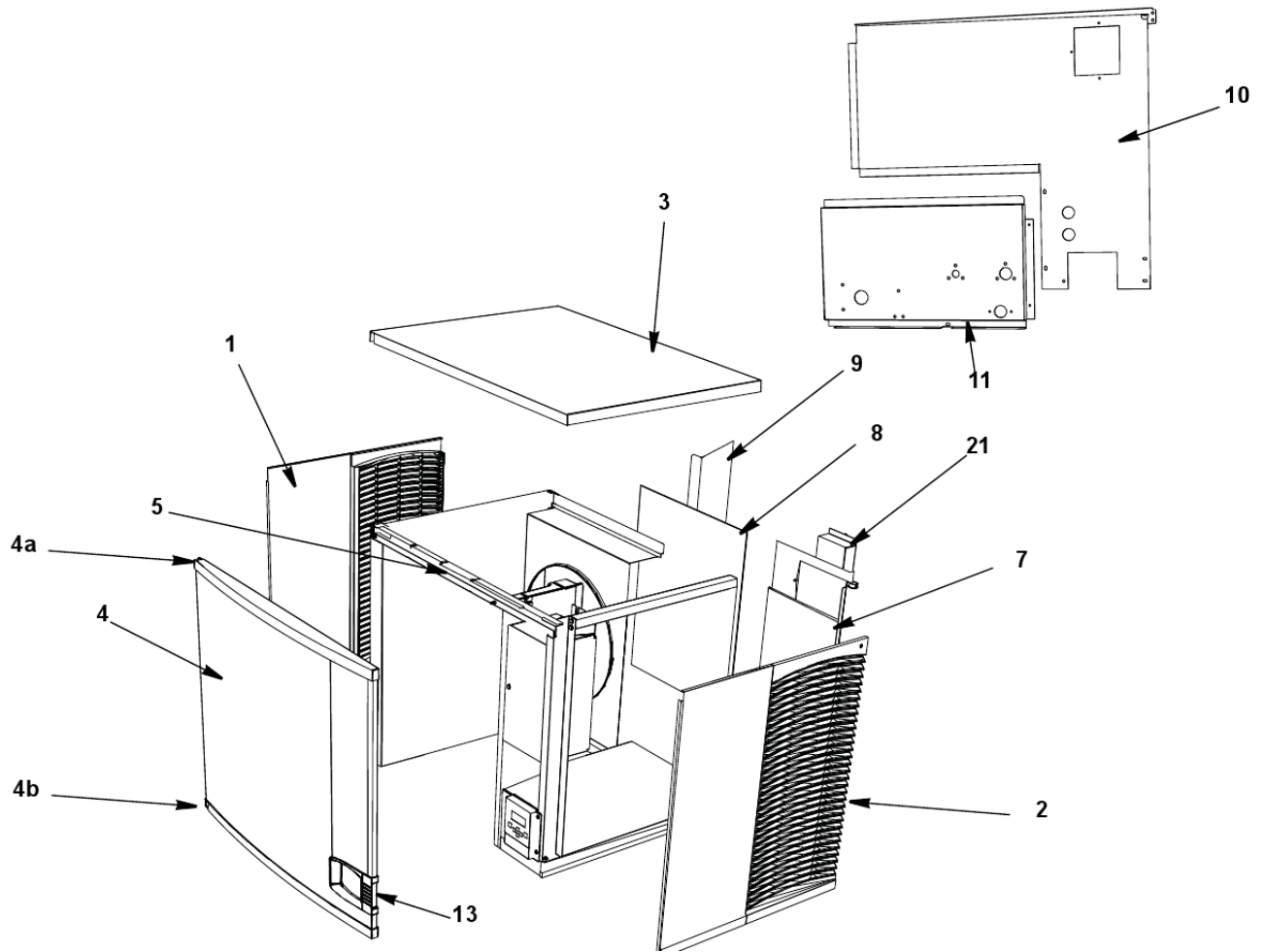


i0500, JC0495 Indigo

i0500 Panels



i0500, JC0495 Indigo

i0500 Panels

#	PART #	DESCRIPTION	QTY	Note
1	000012616	Left Side Panel - 21.5" H		
2	000012615	Right Side Panel - 21.5" H		
3	000006699	Top Cover		
4	000006577	Front Panel Assembly - 30" x 21.5"		
4a	000006538	Top Endcap		
4b	000006539	Bottom Endcap		
5	000010051	Front Top Support		
5a	5005379	Mounting Screw - #8-32 x 1.0" PHIL		
5b	5005099	Screw - #10-16 x 0.625"		
6	6061709	Compressor Mounting Base		
		Air-cooled Back Panels		
7	000011086	Back Panel - Air-cooled		
7a	000008922	Back Panel - R290		
8	3005569	Air Filter - 14.29" x 16.94"		
8a	000008923	Air Filter - 14.25" x 12.58" - R290		
9	000007314	Air Baffle Assembly		
		Water-cooled & Remote Air-cooled Back Panels		
10	000011092	Back Panel - Water-cooled and Remote Air-cooled		
11	6061739	Back Coupling Panel - Water-cooled and Remote Air-cooled		
12	8706083	Female Wing Adapter - 0.5"		
13		Front Panel LCD Frame		
13a	000006647	LCD Frame with Key Guard		
13b	000006564	LCD Frame without Key Guard		
13c	K00433	Display Cover		[1]
14	5004899	Front Panel Screw		
15	7602263	Bottom Door Frame		
15a	5005379	Mounting Screw - #8-32 x 1.0" PHIL		
15b	5202099	Screw - #10-24 x 0.5" PHIL		
16	3005579	Left Door Pivot Leaf Hinge		[2]
16a	5005379	Mounting Screw - #8-32 x 1.0" PHIL		
16b	000001127	Tapping Plate - Door Hinge Screws		
17	6068649	Left Top Channel		
18	000011032	Right Top Channel		
19		Left Corner Post - See Note for Serial Break		
19a	6063439	Left Corner Post		[3]
19b	000010299	Left Corner Post		[4]
20		Right Corner Post - See Note for Serial Break		
20a	6062929	Right Corner Post		[3]
20b	000010680	Right Corner Post		[4]
21		Electrical Box on Rear of Ice Machine		
21a		Box with Cover		[5]
21b	2006143	Terminal Block - 50 Hz - 3 Pole		
21c	5202169	Screw - #10-24 x 0.5" Ground		
22	7112239	Cartoning		

i0500, JC0495 Indigo

i0500 Panels

#	PART #	DESCRIPTION	QTY	Note
PART NOTES:				
[1]	-	hides the display completely		
[2]	-	Top or Bottom		
[3]	-	Before Serial Number 1101223883		
[4]	-	After Serial Number 1101223883		
[5]	-	Included in Back Panel Assembly		