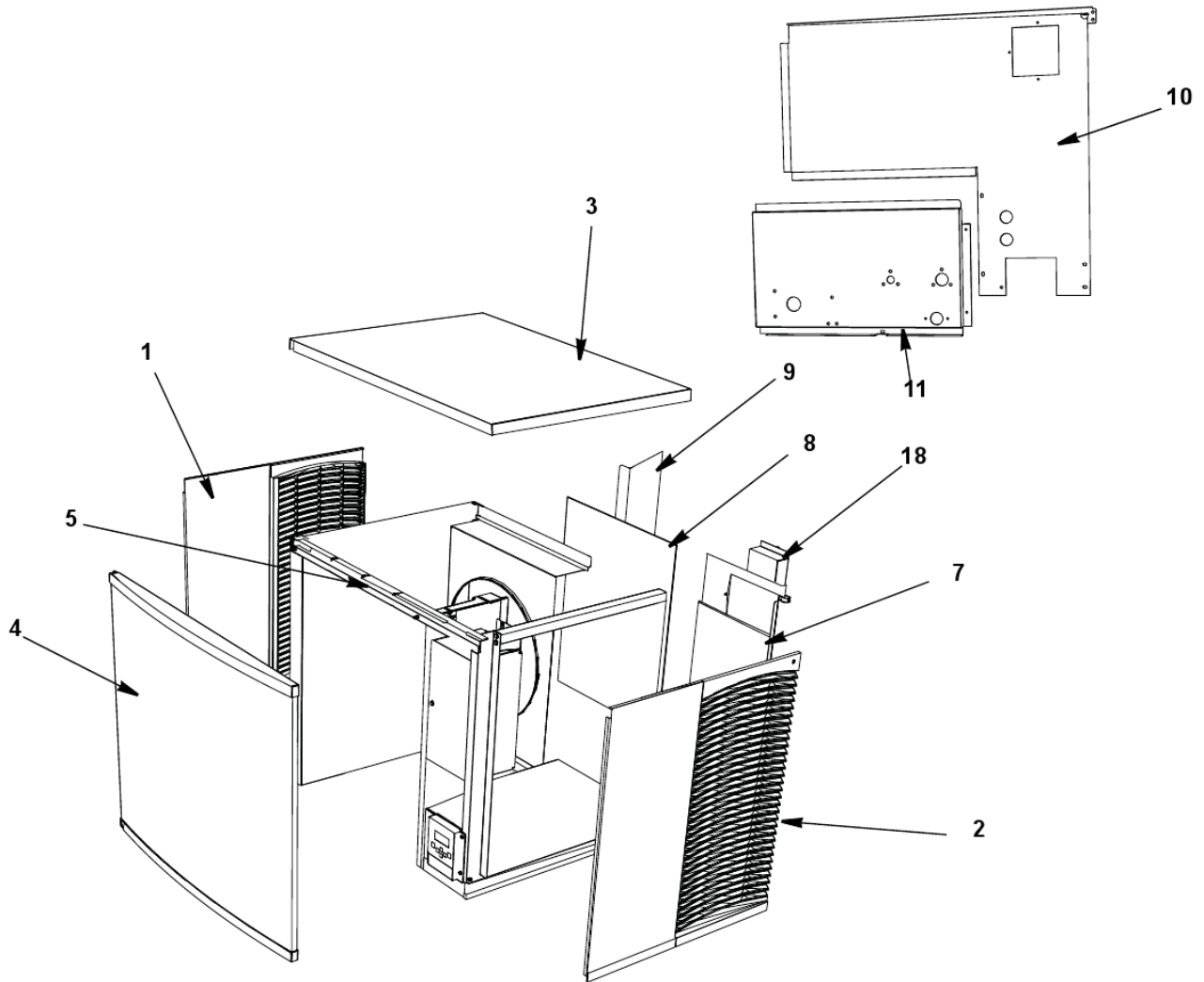


# i0450P Indigo

## i0450P Panels



# i0450P Indigo

## i0450P Panels

#	PART #	DESCRIPTION	QTY	Note
1		Left Side Panel		
1a	000012745	Left Side Panel - Louvered - 21.5" H		
1b	6066751	Left Side Panel - Non-Louvered - 21.5" H		
2		Right Side Panel		
2a	000012746	Right Side Panel - Louvered - 21.5" H		
2b	6066761	Right Side Panel - Non-Louvered - 21.5" H		
3	6068781	Top Cover - SS		
4	000014213	Front Panel Assembly		
5	6068721	Front Top Support - SS		
5a	5005379	Mounting Screw - #8-32 x 1.0" PHIL		
5b	5005099	Screw - #10-16 x 0.625"		
6	6061709	Compressor Mounting Base		
		Air-cooled Back Panels		
7	000011084	Back Panel with Electrical Connection Box - Air-cooled Models		
8	3005939	Air Filter - 16.8" x 12.81"		
9	000007314	Air Baffle Assembly		
		Water-cooled & Remote Air-cooled Back Panels		
10	000006577	Front Panel Assembly - 30" x 21.5"		
11	6061739	Back Coupling Panel - Water-cooled and Remote Air-cooled		
12	8706083	Female Wing Adapter - 0.5"		
13	7602263	Bottom Door Frame		
13a	5005379	Mounting Screw - #8-32 x 1.0" PHIL		
13b	5202099	Screw - #10-24 x 0.5" PHIL		
14	6068649	Left Top Channel		
15	000011032	Right Top Channel		
16	6061909	Left Corner Post		
17		Right Corner Post - See Note for Serial Break		
17a	6062929	Right Corner Post		[1]
17b	000010680	Right Corner Post		[2]
18		Electrical Box on Rear of Ice Machine		
18a		Box with Cover		[3]
18b	2006143	Terminal Block - 50 Hz - 3 Pole		
18c	5202169	Screw - #10-24 x 0.5" Ground		
19	5005353	Front Panel Screw - #10-32 x 1.5"		
20	5005343	Screw - #12-16 x 0.50" TORX		
21	5800053	Screwdriver Bit Front Panel - #4-40 TX-15-H		
22	5800043	Screwdriver Bit Side Panels - #4-40 TX-25-H		
23	7112239	Cartoning		

### PART NOTES:

- [1] - Before Serial Number 1101223883
- [2] - After Serial Number 1101223883
- [3] - Included in Back Panel Assembly