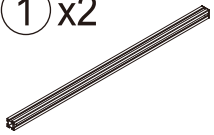
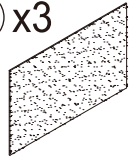
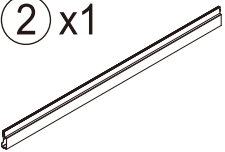
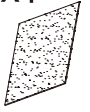
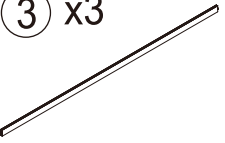
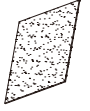
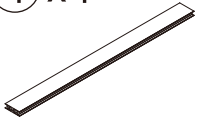
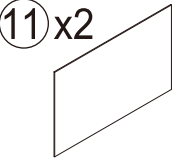
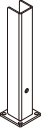

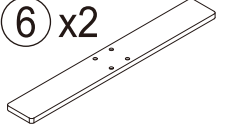

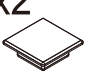



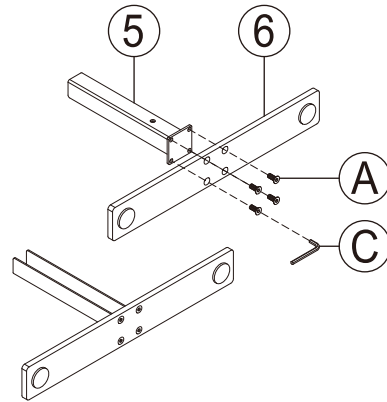
LUXOR

MW-7070-FCG

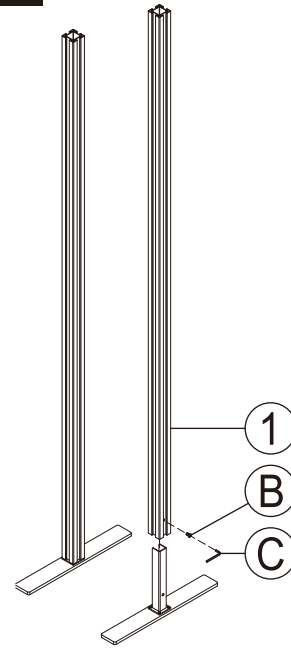
INSTRUCTIONS

<p>① x2</p> 	<p>⑧ x3</p>  <p>33.25" x 20.75" PET Panel</p>
<p>② x1</p> 	<p>⑨ x1</p>  <p>16.5" x 20.75" PET Panel</p>
<p>③ x3</p> 	<p>⑩ x1</p>  <p>16.25" x 20.75" PET Panel</p>
<p>④ x4</p> 	<p>⑪ x2</p>  <p>33.25" x 20.75" Acrylic Panel</p>
<p>⑤ x2</p> 	<p>A x8</p>  <p>M6x15mm</p>
<p>⑥ x2</p> 	<p>B x2</p>  <p>1/4"x10mm</p>
<p>⑦ x2</p> 	<p>C x1</p>  <p>4mm</p>

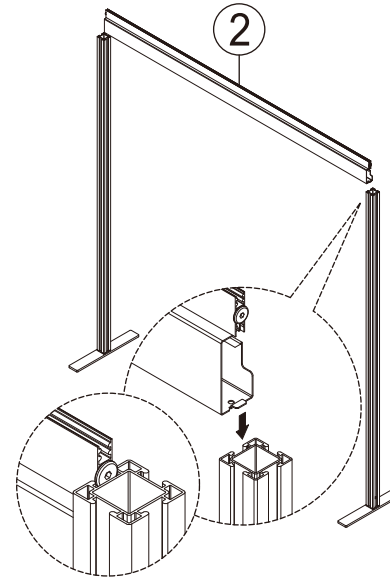
1



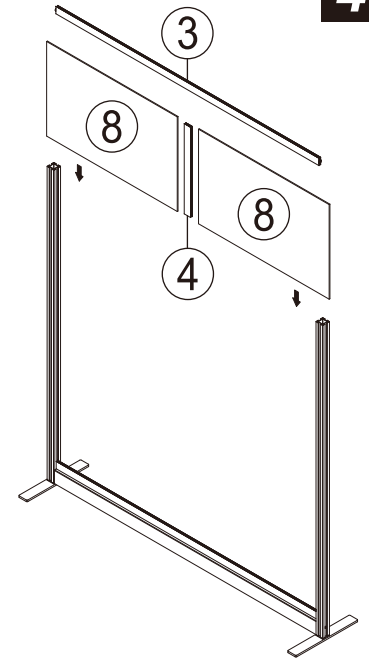
2



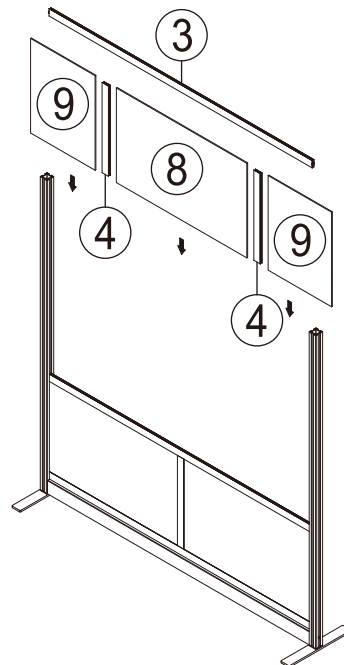
3



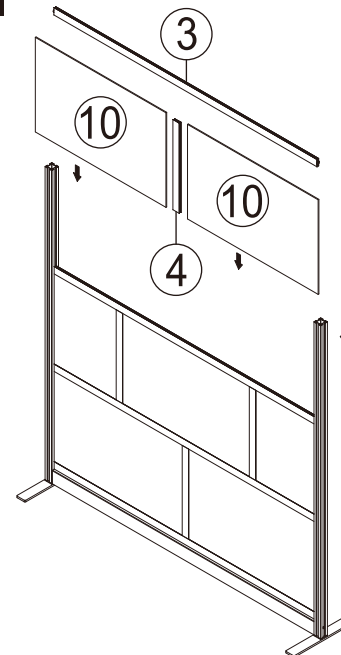
4



5



6



7

*Panels can be arranged in desired configuration

last step:

