

Instruction Sheet

Subject: K00462 Flanged Leg and Bracket Kit

INSTALLATION INSTRUCTIONS

⚠ Warning

Authorized Service Representatives are obligated to follow industry standard safety procedures, including, but not limited to, local/national regulations for disconnection / lock out / tag out procedures for all utilities including electric, gas, water and steam.

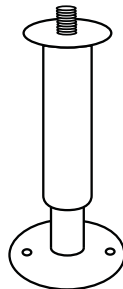
DANGER

Disconnect electric power to the ice machine at the electric switch box before proceeding. Failure to disconnect the power at the main power supply disconnect could result in serious injury or death. The power switch DOES NOT disconnect all incoming power.

⚠ Warning

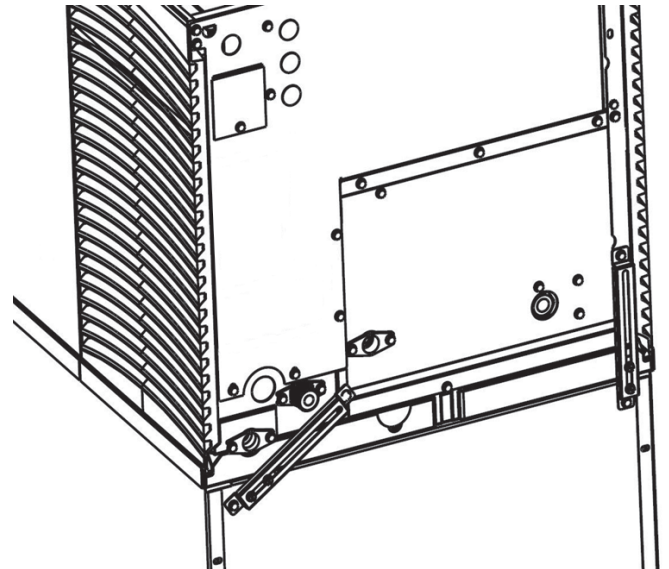
Remove all panels before placing ice machine on bin/dispenser. Two or more people or a lifting device are required to move this equipment to prevent tipping.

1. Disconnect power to the ice machine and dispenser if previously installed.
2. Assemble four legs to the bottom of the bin/dispenser. Screws to attach the legs to the floor are not provided. The type and size of fastener must be determined by the installer to assure compliance with floor material and applicable building codes.



3. Install ice machine on bin/dispenser. Refer to installation operation manual for details.

4. Refer to diagram and place bracket on bin/dispenser in location shown. Slide and rotate brackets to find a location that allows use of an existing screw on the ice machine. If a suitable ice machine screw can not be found on your model, drill a 5/32 hole in the sheet metal and mount with a self tapping screw.



5. Secure brackets to ice machine and bin/dispenser with sheet metal screws.

6. After the brackets have been mounted to the ice machine and bin/dispenser, tighten the slide screws to lock the brackets in place.

