

# RFF-1300 Flake Ice Machine

Model

RFF-1300A

RFF-1300W



Model RFF-1300A  
Flake Ice Machine  
on D-570\* Bin

*\*D-bin available in January 2018*

## Standard Features

- Up to 1,365 lbs. (619 kgs) daily flake ice production.
- Energy improvements averaging 10% and ice production improvements averaging 5% over previous model .
- High load maintenance free bearings for enhanced reliability.
- Service updates facilitate installation and make cleaning easier.
- Flake Ice is perfect for food display, salad bars, and cold therapy/healthcare.
- Ice forms around object without bruising and holds objects in place without tipping/spilling.
- Heavy duty stainless steel cabinet resists corrosion.



## Specifications

**Condenser Heat of Rejections (BTU per hour):**  
Air: 14,000 (average)  
Water: 1,500 (average)

**Compressor:**  
Nominal rating: 1.5 HP

**Refrigerant:**  
R-404A

**Ice Machine Electric**  
208-230/60/1 standard.  
(230/50/1 also available.)

**Minimum circuit ampacity:**  
15 amps.

**Maximum fuse size:**  
15 amps.

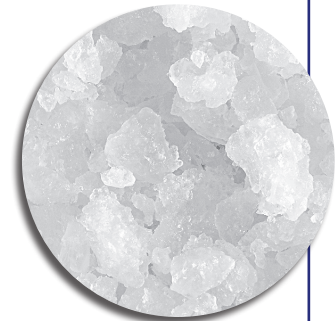
HACR-type circuit breakers can be used in place of fuses.

### Operating Limits:

- Ambient Temperature Range:  
Air- and Water-cooled:  
50°-110°F (10°-43° C)
- Water Temperature Range:  
37°-90°F (3°-32° C)
- Water Pressure Ice Maker  
Water In:  
Min. 14 psi (96.5 kPa)  
Max. 80 psi (551.1 kPa)
- Condenser Inlet Water In:  
(water-cooled only)  
Min 20 psi (137.9 kPa)  
Max 150 psi (1034.2 kPa)  
Water Condenser not for sea water applications.

## Ice Shape

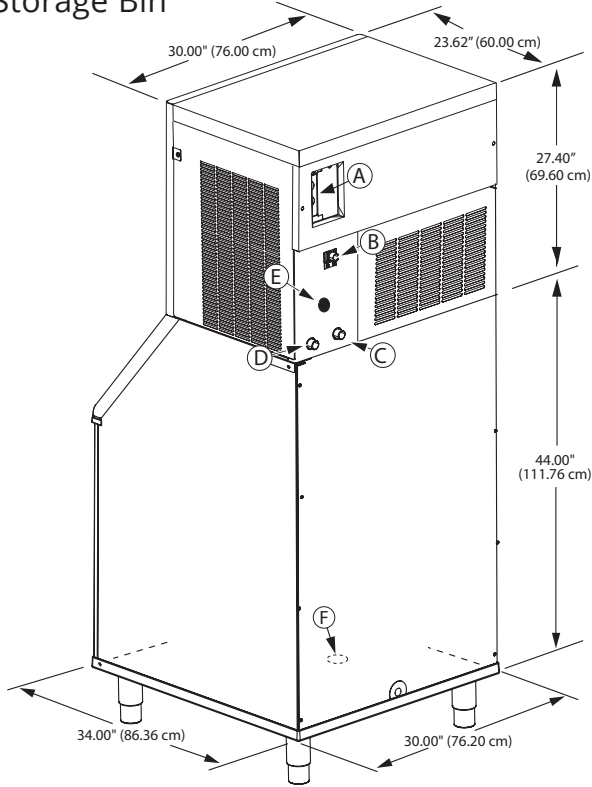
Flake ice is small hard bits of ice ideally suited for presentation applications.





# RFF-1300 Flake Ice Machine

## RFF-1300 on D-570\* Storage Bin



**Installation Note -**  
Minimum installation  
clearance:  
Top/sides: 8" (20.32 cm),  
Back: 5" (12.70 cm).

- (A) Electrical Entrance (2) Options
- Air-Cooled Units:**
- (B) 3/8" F.P.T. Ice Making Water Inlet
- (C) 1/2" M.P.T. Ice Making Water Drain
- (D) 1/2" M.P.T. Ice Making Water Drain
- (E) 3/8" F.P.T. Ice Making Water Inlet
- Water-Cooled Unit Option:**
- (B) 3/8" F.P.T. Condenser Inlet
- (C) 1/2" M.P.T. Condenser Drain
- (D) 1/2" M.P.T. Ice Making Water Drain
- (E) 3/8" F.P.T. Ice Making Water Inlet
- (F) 3/4" F.P.T. Bin Drain

## Space-Saving Design

MISSING  
LINK



### RFF-1300 on D-570\*

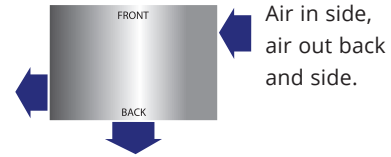
Height	77.40" 196.60 cm
Width	30.00" 76.00 cm
Depth	34.00" 86.36 cm
Bin Storage	430 lbs. 195 kgs

Height includes adjustable bin legs  
6.00" to 7.00"; (15.24 to 17.78 cm)  
set at 6.00" (15.24 cm).

## Accessories

K-00370 48" B Style Bin Adapter  
*Adapter not for use with Large Capacity  
Bins.*

### Air Flow Overhead View



	Model	Ice Shape	Ice Production 24 Hrs.		Power kWh/100 lbs. 90°/70°F 32° Air/21° C Water	Water Usage (100 lbs./45.4 kgs of Ice)	
			70° Air/50°F Water 21° Air/10° C Water	90° Air/70°F Water 32° Air/21° C Water		Potable Water	Condenser Water
Air-Cooled	RFF-1300A	Flake	1,264 lbs.	951 lbs.	4.24	12 gal.	N/A
			573 kgs	431 kgs		45.4 L	N/A
Water-Cooled	RFF-1300W	Flake	1,365 lbs.	1,116 lbs.	3.12	12 gal.	116 gal.
			619 kgs	506 kgs		45.4 L	439 L

Manitowoc Ice reserves the right to make changes to the design or specifications without prior notice.