



RFP0620 Flake Ice Machine

RFP0620 Flake Ice Machine

Models

- RFP0620A RFP0620W



Model RFP0620A
Flake Ice Machine
on D-420 Bin

Standard Features

- Up to 760 lbs (345 kgs) daily flake ice production.
- High load maintenance free bearing for enhanced reliability
- R290 Refrigerant is environmentally friendly with less ozone depletion compared to R404.
- Flake ice is perfect for food display, salad bars, and cold therapy/healthcare
- Ice forms around object without bruising and holds objects in place without tipping/spilling.
- Heavy duty stainless steel cabinet resists corrosion.



Specifications

BTU per hour:

Air: 10,822 (average)
Water: 2,697 (average)

Compressor:

Nominal rating: 1 HP
Refrigerant: R290A

Operating Limits:

- Ambient Temperature Range: 50°-110°F (10°-43°C)
- Water Temperature Range 37°-90°F (3°-32°C)
- Water Pressure Ice Maker Water In
Min. 14 psi (96.5 kPa)
Max. 80 psi (551.6 kPa)
- Condenser Inlet Water In: (water-cooled only)
Min. 20 psi (137.9 kPa)
Max. 150 psi (1034.2 kPa)
Water Condenser not for sea water applications.

Ice Machine Electric

115/60/1 standard.
(230/50/1 also available.)

Minimum circuit ampacity:

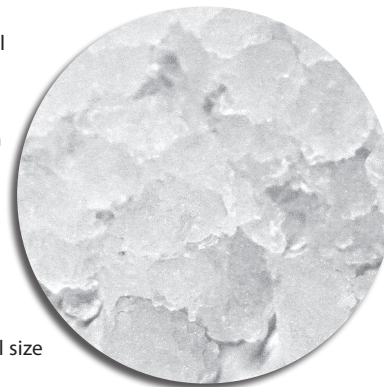
13.5 amps (115V air)
13.5 amps (115V water)

Maximum fuse size:

20 amps (115V)
HACR-type circuit breakers can be used in place of fuses.

Ice Shape

Flake ice is small hard bits of ice ideally suited for presentation applications.

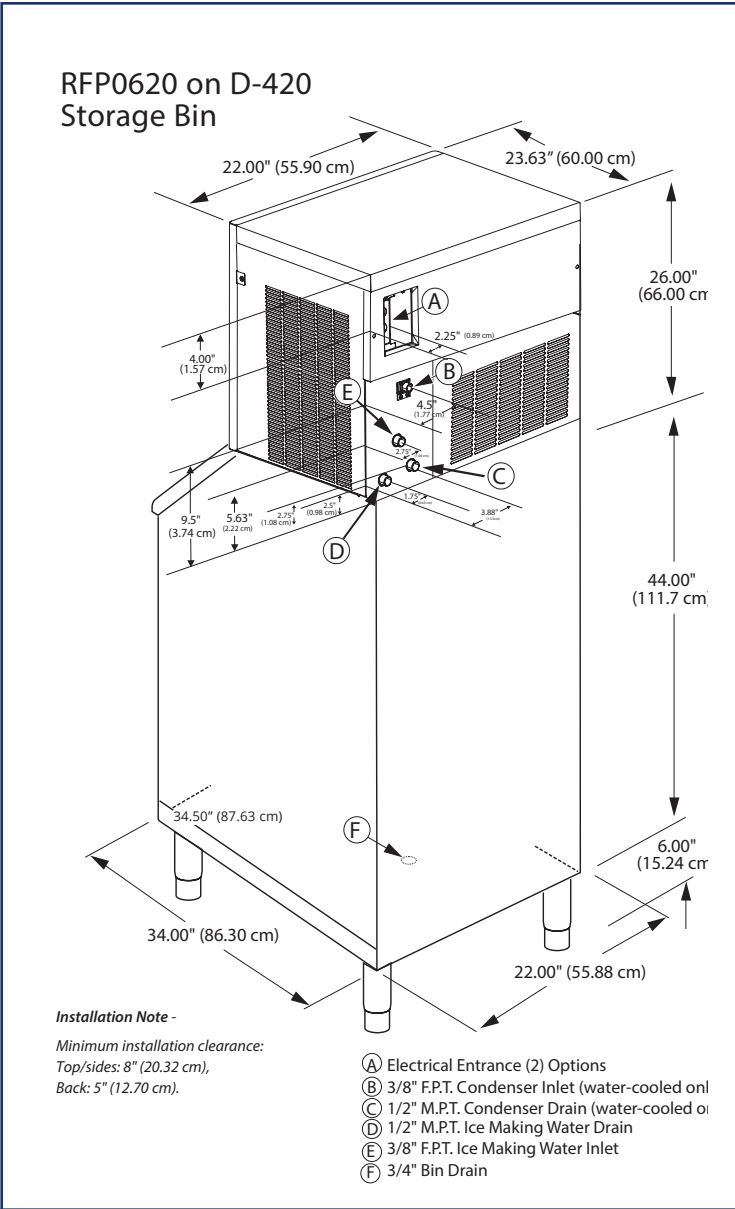


Ice shown actual size





RFP0620 Flake Ice Machine



Space-Saving Designs



RFP0620 on D-420

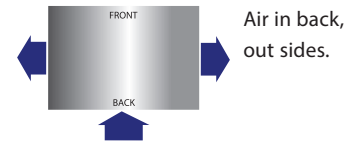
Height	76.00" 193.00 cm
Width	22.00" 55.90 cm
Depth	34.50" 87.63 cm
Bin Storage	310 lbs. 140.7 kgs

Height includes adjustable bin legs
 6.00" to 7.00", (15.24 to 17.78 cm)
 set at 6.00" (15.24 cm).

Accessories

K-00472 30" B Style Bin Adapter

Air Flow Overhead View



Model	Ice Shape	Ice Production 24 Hours Based on Air/Water Temp				Power kWh/100 lbs @ 90°Air/70°F Water	Potable Water Usage (100 lbs./ 45.4 kgs of Ice)	Condenser Water at 90/70°F 32° Air/21° C Water
		70° Air/50°F Water 21° Air/10° C Water	90° Air/70°F Water 32° Air/21° C Water					
RFP0620A-161	Flake	682 lbs.	309 kgs	527 lbs.	239 kgs	5.04	12 gal./45.4 L	N/A
RFP0620W-161	Flake	760 lbs.	345 kgs	640 lbs.	290 kgs	3.53	12 gal./45.4 L	151 gal / 571 L

Manitowoc Ice reserves the right to make changes to the design or specifications without prior notice.