



# HOSHIZAKI

## Parts List

Cubelet Icemaker/Dispenser

Models

DCM-271BAH

DCM-271BAH-OS



[hoshizakiamerica.com](http://hoshizakiamerica.com)

Number: 71434  
Issued: 12-2-2020  
Revised: 3-24-2022

## CONTENTS

Auxiliary Codes.....	3
Note About Ordering Parts .....	3
A. Main Assembly .....	4
DCM-271BAH.....	4
DCM-271BAH-OS .....	6
B. Refrigeration Circuit.....	8
C. Icemaking Unit .....	10
D. Water Circuit .....	12
E. Control Box A.....	14
F. Control Box B .....	15
G. Accessories & Labels.....	16

## Auxiliary Codes

### DCM-271BAH

K-0 March 2020  
L-0 January 2021  
L-1 August 2021

### DCM-271BAH-OS

K-0 March 2020  
L-0 January 2021  
L-1 August 2021

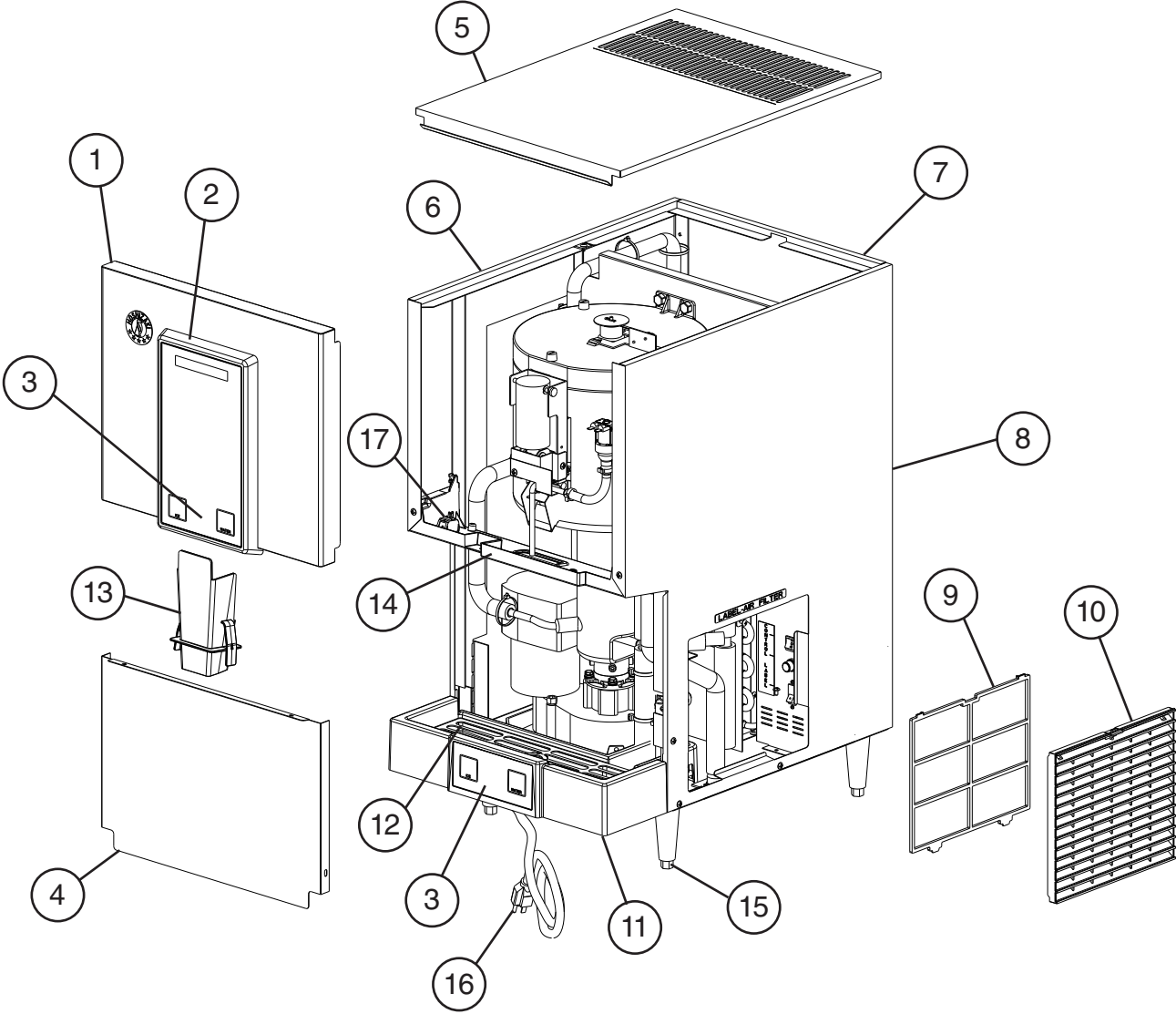
## Auxiliary Code Breakdown

The auxiliary code is the first two characters in the serial number. The first character indicates the year. Years progress or regress in alphabetical order. The series runs from "A" through "V" and the letters "I" and "O" are skipped. The second character indicates significant part changes within a year. Base is "0" and this number advances for each change. In cases where there is a letter in parentheses, this designates the month. This is the last character in the serial number. The series runs from "(A)" through "(M)" and the letter "(I)" is skipped. This designation is only included when identifying a parts change within an auxiliary code.

## Note About Ordering Parts

Most assemblies cannot be ordered as complete units; parts in the assemblies generally must be ordered separately.

**A. Main Assembly**  
**DCM-271BAH**  
K-0 to L-1

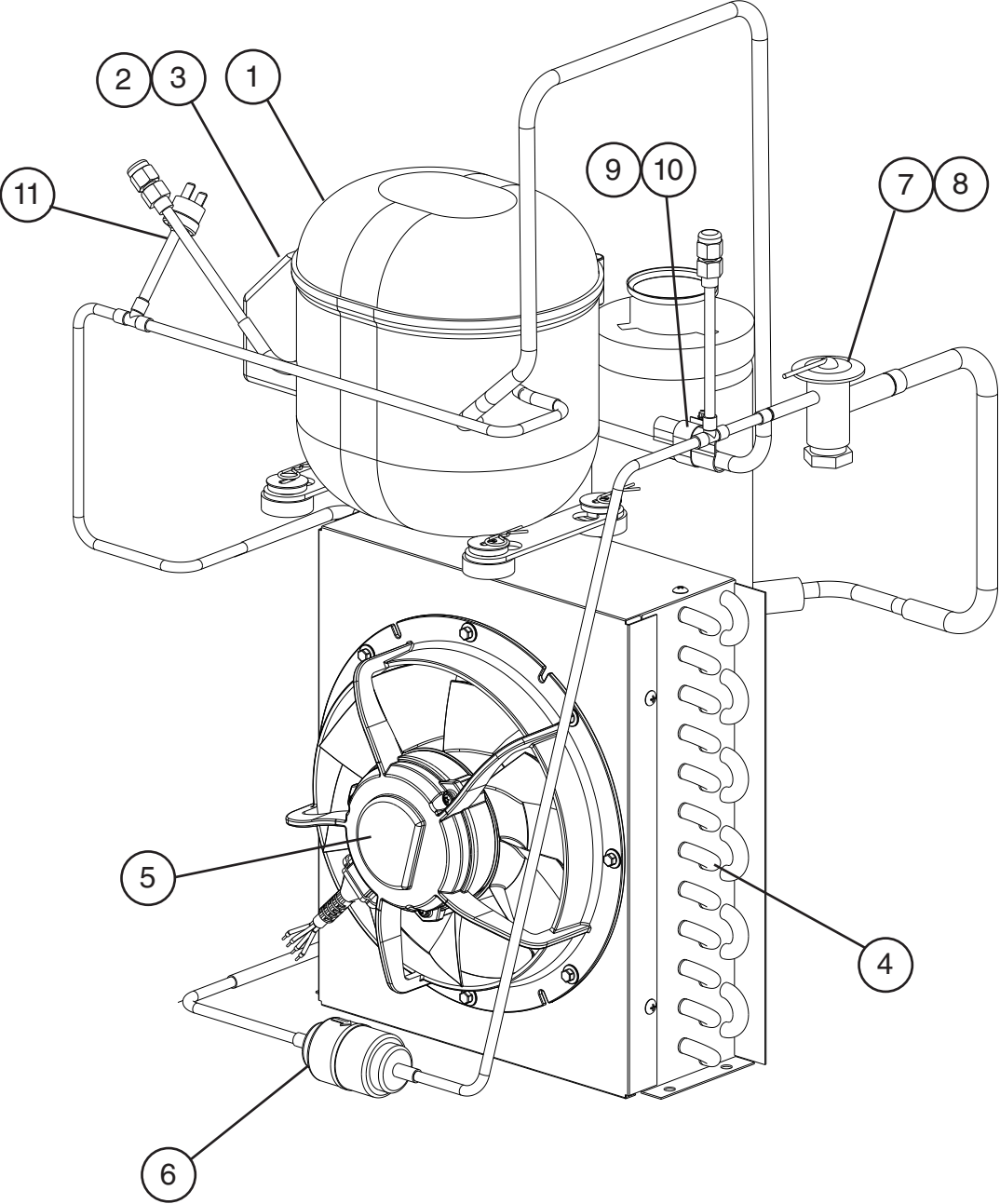


Title: A. Main Assembly    Model: DCM-271BAH											
Index No.	Description	Material or Model Number	Part Number	K-0 to L-1	Required Number						
1	Front Panel Assembly (includes item 2)		3B0149A01	1							
2	Upper Front Frame Assembly (includes 1 of item 3)		2A9208A01	1							
3	Display Board		2A9214-01	2							
4	Apron Panel		3B0147-01	1							
5	Top Panel		2A2916-01	1							
6	Left Side Panel		2A8592-01	1							
7	Rear Panel		2A4716-01	1							
8	Right Side Panel (includes items 9 and 10)		1A5911A01	1							
9	Air Filter		208840G03	1							
10	Louver		103344-07	1							
11	Drain Pan (includes 1 of item 3)		2A9212A01	1							
12	Grille		4A6764-01	1							
13	Spout		4A6693-01	1							
14	Middle Front Frame		2A9207-01	1							
15	Leg		4A2145-01	4							
16	Power Supply Cord		4A5718-01	1							
17	Power Switch		421490-01	1							



Title: A. Main Assembly    Model: DCM-271BAH-OS											
Index No.	Description	Material or Model Number	Part Number	K-0 to L-1	Required Number						
1	Front Panel Assembly (includes item 2)		3B0149A02	1							
2	Upper Front Frame Assembly		2A9208A02	1							
3	Apron Panel		3B0294-01	1							
4	Ice Sensor Assembly		4A3753G03	1							
5	Water Sensor Assembly		4A3753G04	1							
6	Sensor Lock		4A6670-01	1							
7	Sensor Assembly Holder		4A6607-01	2							
8	Top Panel		2A2916-01	1							
9	Left Side Panel		2A8592-01	1							
10	Rear Panel		2A4716-01	1							
11	Right Side Panel (includes items 11 and 12)		1A5911A02	1							
12	Air Filter		208840G03	1							
13	Louver		103344-07	1							
14	Drain Pan		2A9212A02	1							
15	Grille		4A6764-01	1							
16	Spout		4A6693-01	1							
17	Middle Front Frame		2A9207-02	1							
18	Leg		4A2145-01	4							
19	Power Supply Cord		4A5718-01	1							
20	Power Switch		421490-01	1							

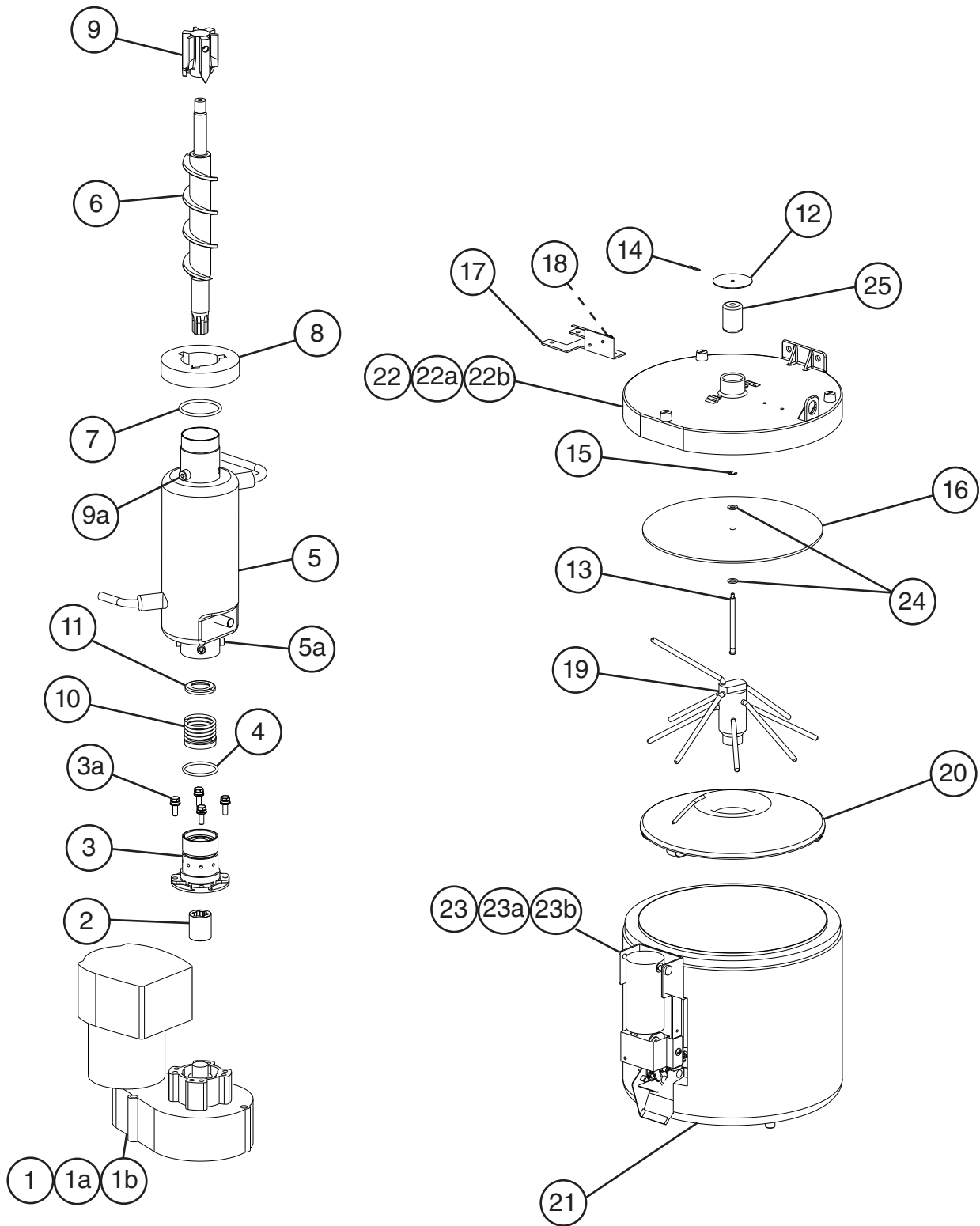
**B. Refrigeration Circuit**  
**DCM-271BAH(-OS)**  
K-0 to L-1





Title: B. Refrigeration Circuit Model: DCM-271BAH(-OS)												
Index No.	Description	Material or Model Number	Part Number	K-0 to L-1	Required Number							
1	Compressor	SP-5531	4A6151-01	1								
2	External Protector		4A6151F02	1								
3	Start Relay		4A6151F01	1								
4	Condenser		2A0780-01	1								
5	Fan Motor Assembly (includes fan blade)		4A6650-01	1								
6	Drier		4A1113-01	1								
7	Thermostatic Expansion Valve		4A1117-01	1								
8	Thermostatic Expansion Valve Cover		4A1168-01	1								
9	Thermostatic Expansion Valve Bulb Holder		3A0107-01	1								
10	Clamp		443461-02	1								
11	High-Pressure Switch		463180-01	1								

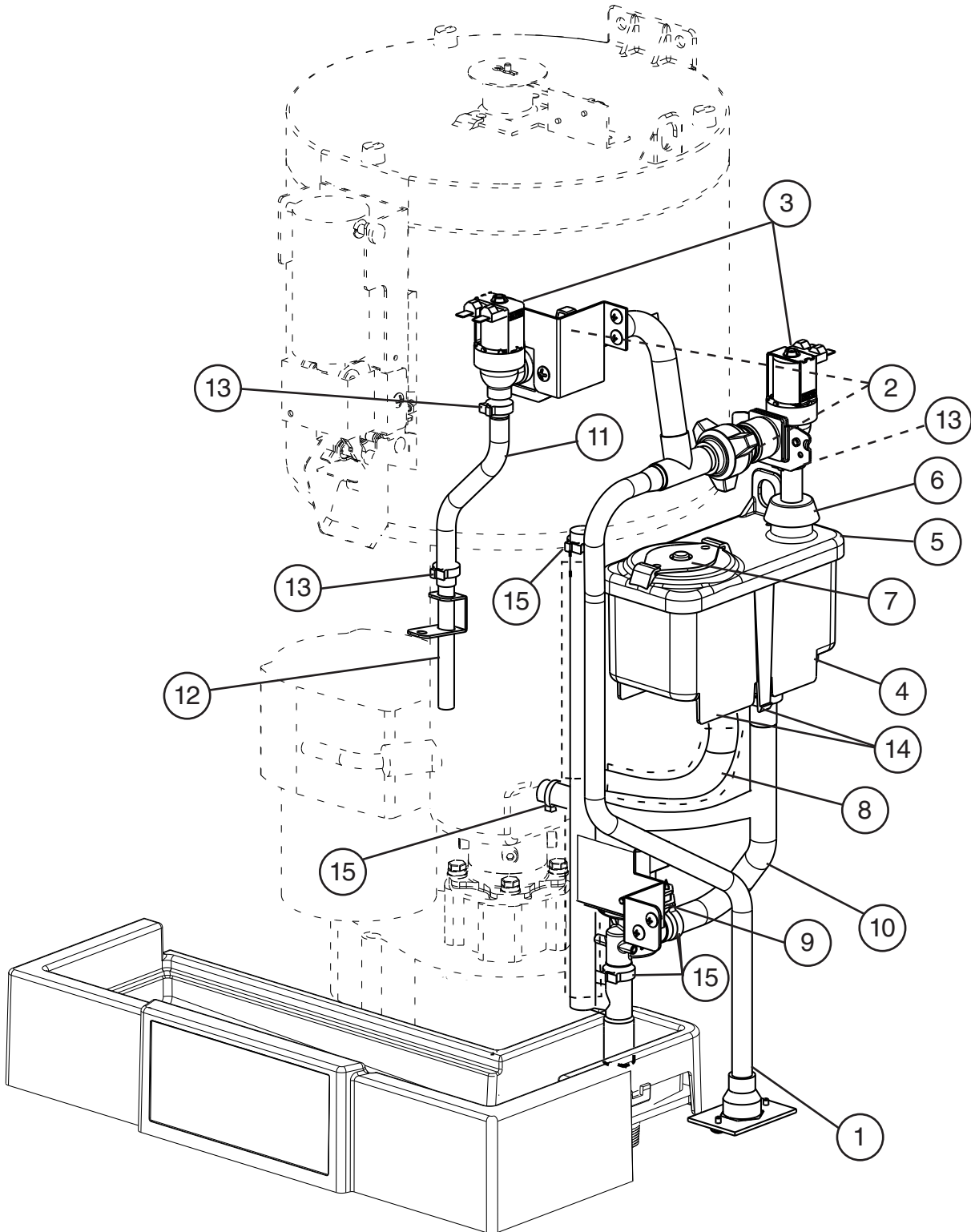
**C. Icemaking Unit**  
**DCM-271BAH(-OS)**  
 K-0 to L-1



**Title: C. Icemaking Unit Model: DCM-271BAH(-OS)**

Index No.	Description	Material or Model Number	Part Number	K-0 to L-1	Required Number									
1	Gear Motor		2U0147-01	1										
1a	Split Lock Washer		7L22-0800	3										
1b	Socket Hex Head Bolt		7S12-0895	3										
2	Spline Coupling		418316-01	1										
3	Housing		383613G01	1										
3a	Bolt	6x20	458660-01	4										
4	O-Ring		7618-G040	1										
5	Evaporator		332576G01	1										
5a	Socket Head Cap Screw	6x10, SS	P01718-01	4										
6	Auger		269910G01	1										
7	O-Ring		7618-P048	1										
8	Evaporator Casing Cover		471716P01	1										
9	Extruding Head		327236G07	1										
9a	Seal Bolt		P01768-02	3										
10	Mechanical Seal		432491-03	1										
11	Ring		432494-01	1										
12	Small Balance Plate		465782-01	1										
13	Shaft		465781-01	1										
14	Snap Pin		715S-0004	1										
15	E-Ring		721S-0005	1										
16	Large Balance Plate		417473-02	1										
17	Microswitch Bracket		465783-01	1										
18	Microswitch		461294-01	1										
19	Agitator		348969G01	1										
20	Drip Ring		207754-03	1										
21	Storage Bin		253636G01	1										
22	Storage Bin Top Cover		341039G02	1										
22a	Thumbscrew		430825G01	3										
22b	Thumbscrew		415949G10	2										
23	Shutter Assembly		121220A02	1										
23a	Flat Washer		7W22-0300	2										
23b	Nut		7N12-0300	4										
25	Sleeve		465784-01	1										

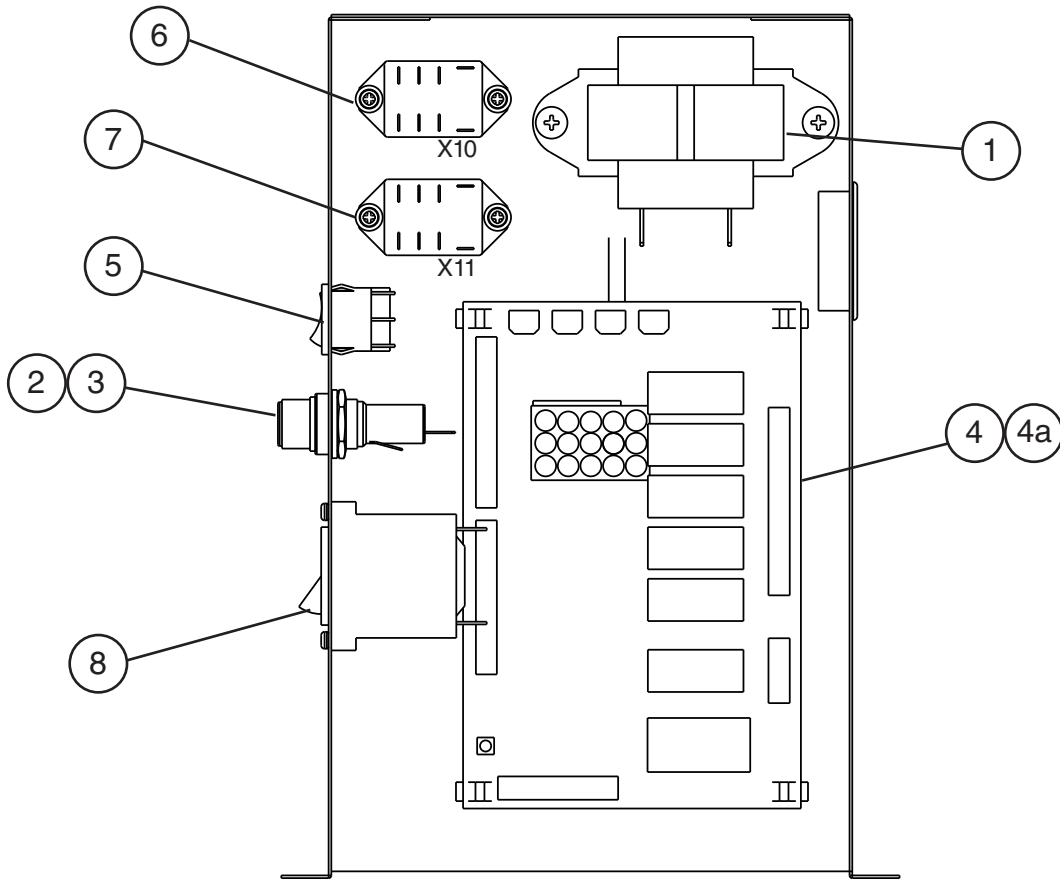
**D. Water Circuit**  
**DCM-271BAH(-OS)**  
 K-0 to L-1



**Model Shown: DCM-271BAH-OS**

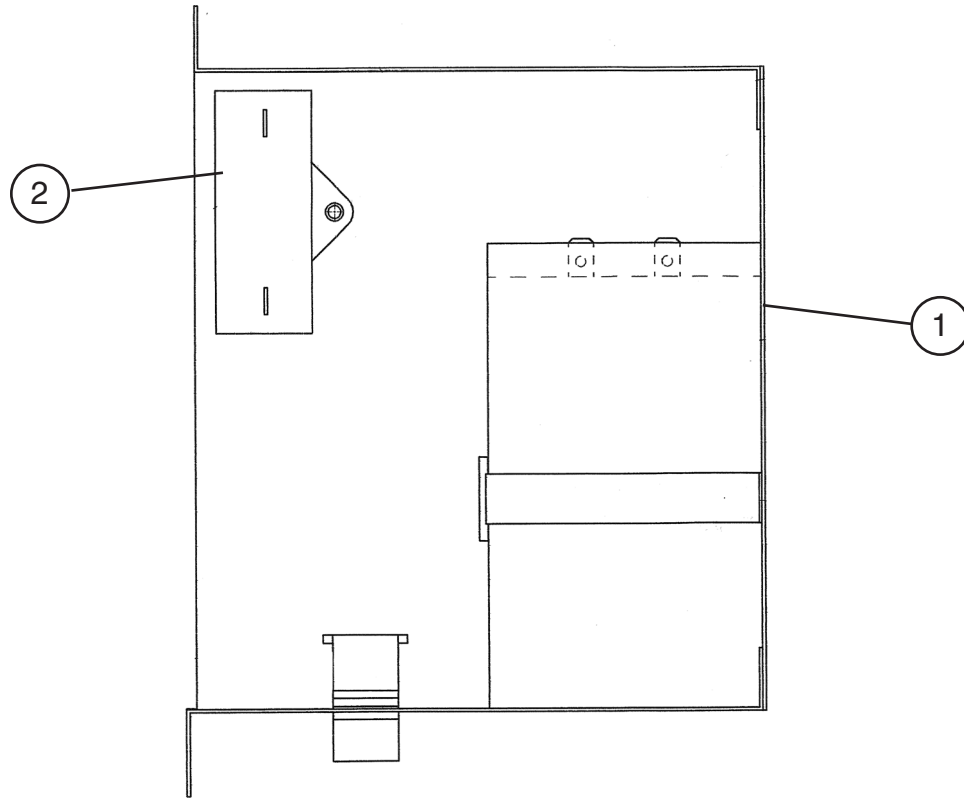
Title: D. Water Circuit Model: DCM-271BAH(-OS)												
Index No.	Description	Material or Model Number	Part Number	K-0 to L-1	Required Number							
1	Water Pipe		1A5726G01	1								
2	Rubber Washer		413854-03	2								
3	Inlet Water Valve/Dispense Water Valve		4A5309-02	2								
4	Reservoir		2A6586-01	1								
5	Reservoir Cover		3A6698-01	1								
6	Reservoir Inlet		4A0869-01	1								
7	Float Switch		435490-01	1								
8	Reservoir Hose		4A6608-01	1								
9	Drain Valve		4A2772-01	1								
10	Drain Valve Inlet Hose (molded for reservoir and bin drain)		4A6611-01	1								
11	Vinyl Hose (4.8" (12 mm))	<b>DCM-271BAH</b>	7725-0912	1								
	Vinyl Hose (6" (15.5 mm))	<b>DCM-271BAH-OS</b>										
12	Water Tube Assembly	<b>DCM-271BAH</b>	4A6724G01	1								
		<b>DCM-271BAH-OS</b>	4A6655G01	1								
13	Hose Clamp	12-14 mm	4A2017-04	3								
14	Hose Clamp	17-21 mm	4A2017-05	2								
15	Hose Clamp	15-17 mm	4A2017-07	4								

**E. Control Box A**  
**DCM-271BAH(-OS)**  
 K-0 to L-1



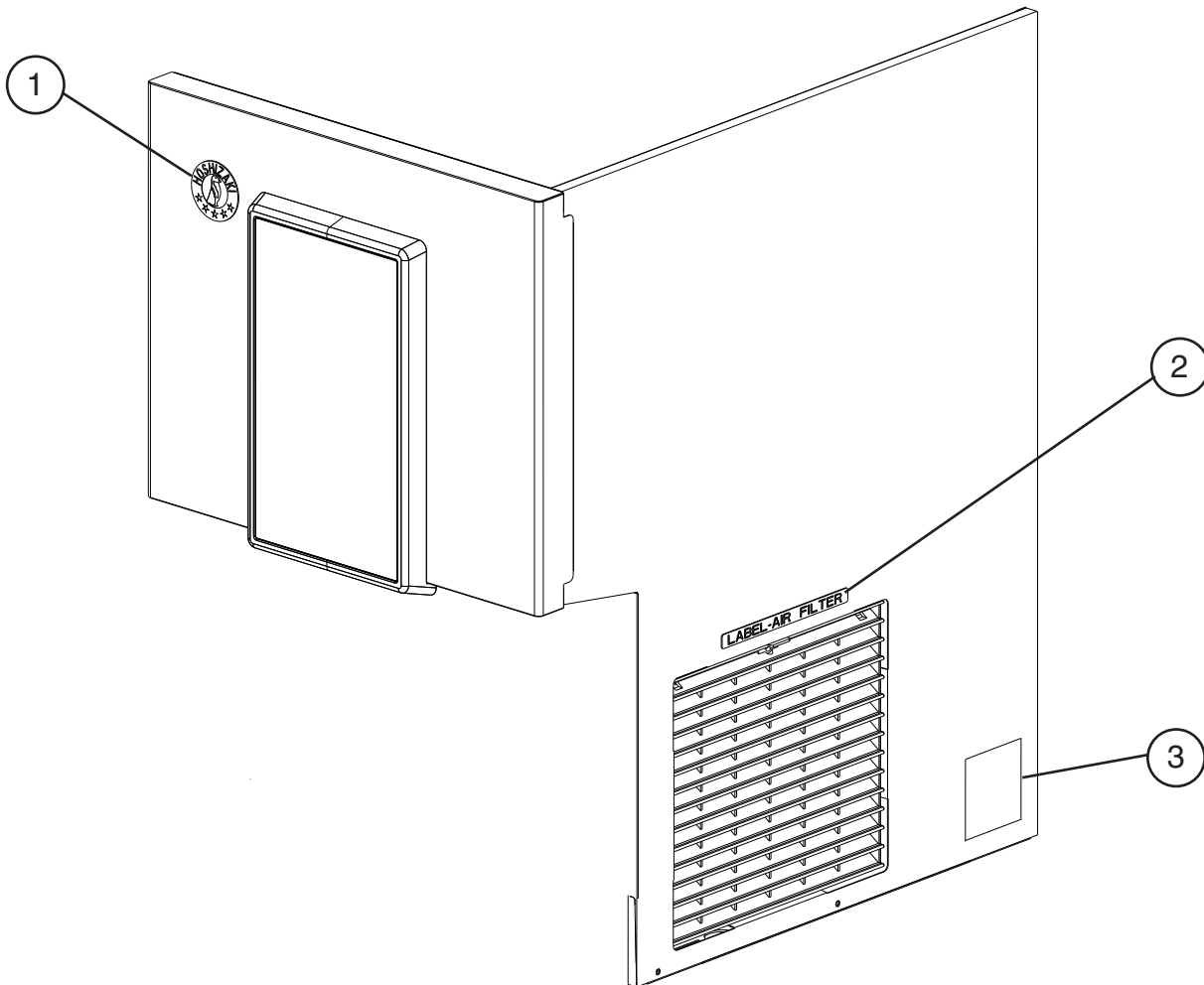
Title: E. Control Box A Model: DCM-271BAH(-OS)					Required Number								
index no.	Description	Material or Model Number	Part Number	K-0 to L-1									
1	Control Transformer		4A0557-01	1									
2	Fuse Holder		4A5443-01	1									
3	Fuse	AGC-1A, 250VAC	4A0893-01	1									
4	Control Board		2A9093-01	1									
4a	Control Board Support		4A0336-03	4									
5	Control Switch		4A6179-01	1									
6	Compressor Control Relay (X10)	120VAC	4A6558-01	1									
7	Dispense Relay (X11)	120VAC	418271-03	1									
8	Gear Motor External Protector	GMD-1.6A, 120VAC Slow Blow	P04531-02	1									

**F. Control Box B**  
**DCM-271BAH(-OS)**  
 K-0 to L-1



Title: F. Control Box B    Model: DCM-271BAH(-OS)											
Index No.	Description	Material or Model Number	Part Number	Required Number							
				K-0 to L-1							
1	Start Capacitor	189-227MFD, 330VAC	3A0076-12	1							
2	Gear Motor Capacitor	10MFD, 280VAC	416921-05	1							

**G. Accessories & Labels**  
**DCM-271BAH(-OS)**  
 K-0 to L-1



Title: G. Accessories & Labels Model: DCM-271BAH(-OS)										
Index No.	Description	Material or Model Number	Part Number	K-0 to L-1	Required Number					
1	Penguin Label		475552L02	1						
2	Air Filter Label		426177-01	1						
3	Warning Label		441560-01	1						