



# HOSHIZAKI

## Parts List

Cubelet Icemaker/Dispenser

Models

DCM-500BAH-OS

DCM-500BWH-OS



[hoshizakiamerica.com](http://hoshizakiamerica.com)

Number: 71212  
Issued: 11-26-2002  
Revised: 9-21-2020

## CONTENTS

|   |    |
|---|----|
| Auxiliary Codes.....                    | 3  |
| Note About Ordering Parts .....         | 4  |
| A. Main Assembly .....                  | 5  |
| DCM-500BAH-OS .....                     | 5  |
| DCM-500BWH-OS .....                     | 8  |
| B. Refrigeration Circuit.....           | 11 |
| DCM-500BAH-OS .....                     | 11 |
| DCM-500BWH-OS .....                     | 13 |
| C. Icemaking Unit .....                 | 15 |
| D. Water Circuit .....                  | 17 |
| E. Control Box Assembly.....            | 19 |
| F. Apron Panel Assembly .....           | 21 |
| G. Middle Front Frame Assembly.....     | 22 |
| H. Shutter Assembly.....                | 23 |
| J. Gear Motor Assembly (Agitator) ..... | 26 |
| K. Gear Motor Assembly (Dispense).....  | 27 |
| L. Bin Assembly .....                   | 28 |
| M. Bin Top Assembly.....                | 29 |
| N. Accessories & Labels .....           | 30 |

## Auxiliary Codes

### DCM-500BAH-OS

M-0 October 2002  
N-0 December 2002  
N-1 November 2003  
P-0 December 2003  
P-1 June 2004  
Q-0 December 2004  
Q-1 February 2005  
R-0 December 2005  
S-0 January 2007  
S-1 November 2007  
T-0 January 2008  
T-1 October 2008  
U-0 February 2009  
U-1 August 2009  
V-0 January 2010  
V-2 May 2010  
V-3 June 2010  
V-4 October 2010  
V-1 November 2010  
A-0 January 2011  
A-1 June 2011  
B-0 January 2012  
C-0 January 2013  
C-1 November 2013  
D-0 January 2014  
E-0 January 2015  
F-0 January 2016  
G-0 January 2017  
H-0 January 2018  
J-0 January 2019  
K-0 January 2020  
K-1 August 2020  
K-2 September 2020

### DCM-500BWH-OS

N-0 December 2002  
N-1 September 2003  
P-0 March 2004  
Q-0 January 2005  
Q-1 October 2005  
R-0 January 2006  
S-0 January 2007  
S-1 December 2007  
T-0 January 2008  
U-0 January 2009  
U-1 October 2009  
V-0 February 2010  
V-2 May 2010  
V-3 June 2010  
V-4 September 2010  
V-1 November 2010  
A-0 January 2011  
A-1 June 2011  
B-0 January 2012  
C-0 January 2013  
C-1 November 2013  
D-0 January 2014  
E-0 January 2015  
F-0 April 2016  
G-0 January 2017  
H-0 January 2018  
J-0 January 2019  
K-0 January 2020  
K-1 August 2020  
K-2 September 2020

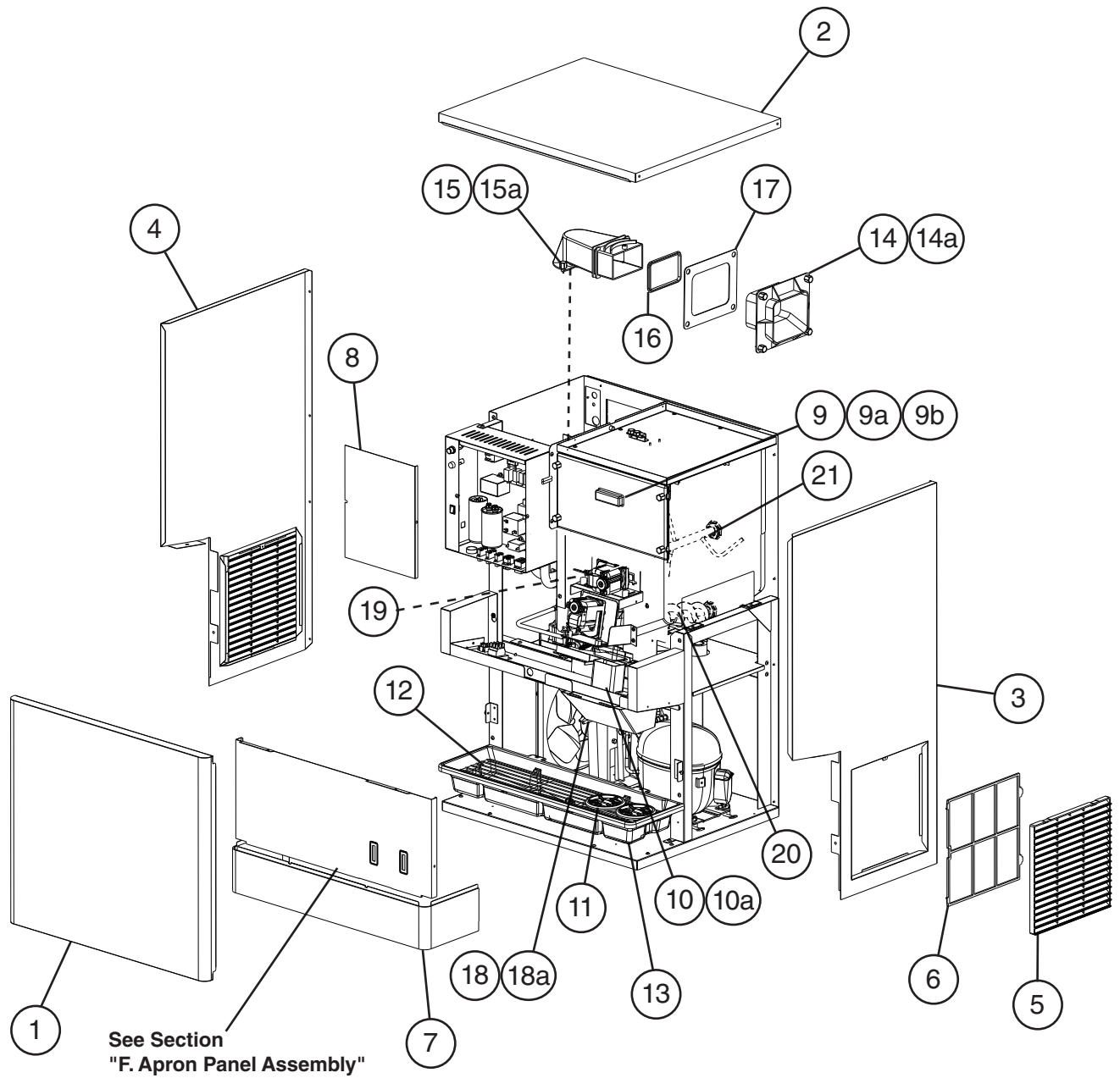
## **Auxiliary Code Breakdown**

The auxiliary code is the first two characters in the serial number. The first character indicates the year. Years progress or regress in alphabetical order. The series runs from "A" through "V" and the letters "I" and "O" are skipped. The second character indicates significant part changes within a year. Base is "0" and this number advances for each change. In cases where there is a letter in parentheses, this designates the month. This is the last character in the serial number. The series runs from "(A)" through "(M)" and the letter "(I)" is skipped. This designation is only included when identifying a parts change within an auxiliary code.

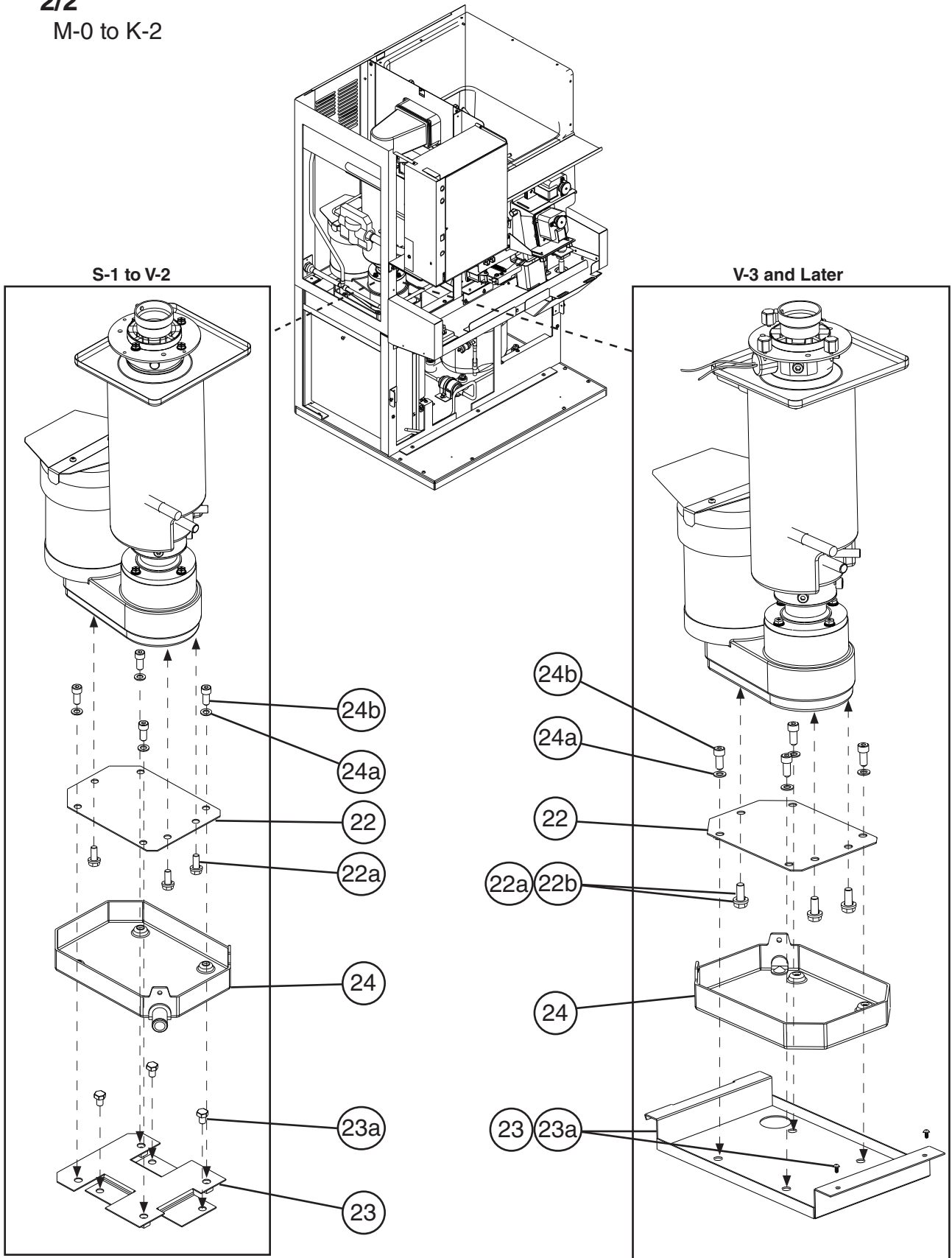
## **Note About Ordering Parts**

Most assemblies cannot be ordered as complete units; parts in the assemblies generally must be ordered separately.

**A. Main Assembly**  
**DCM-500BAH-OS**  
**1/2**  
M-0 to K-2

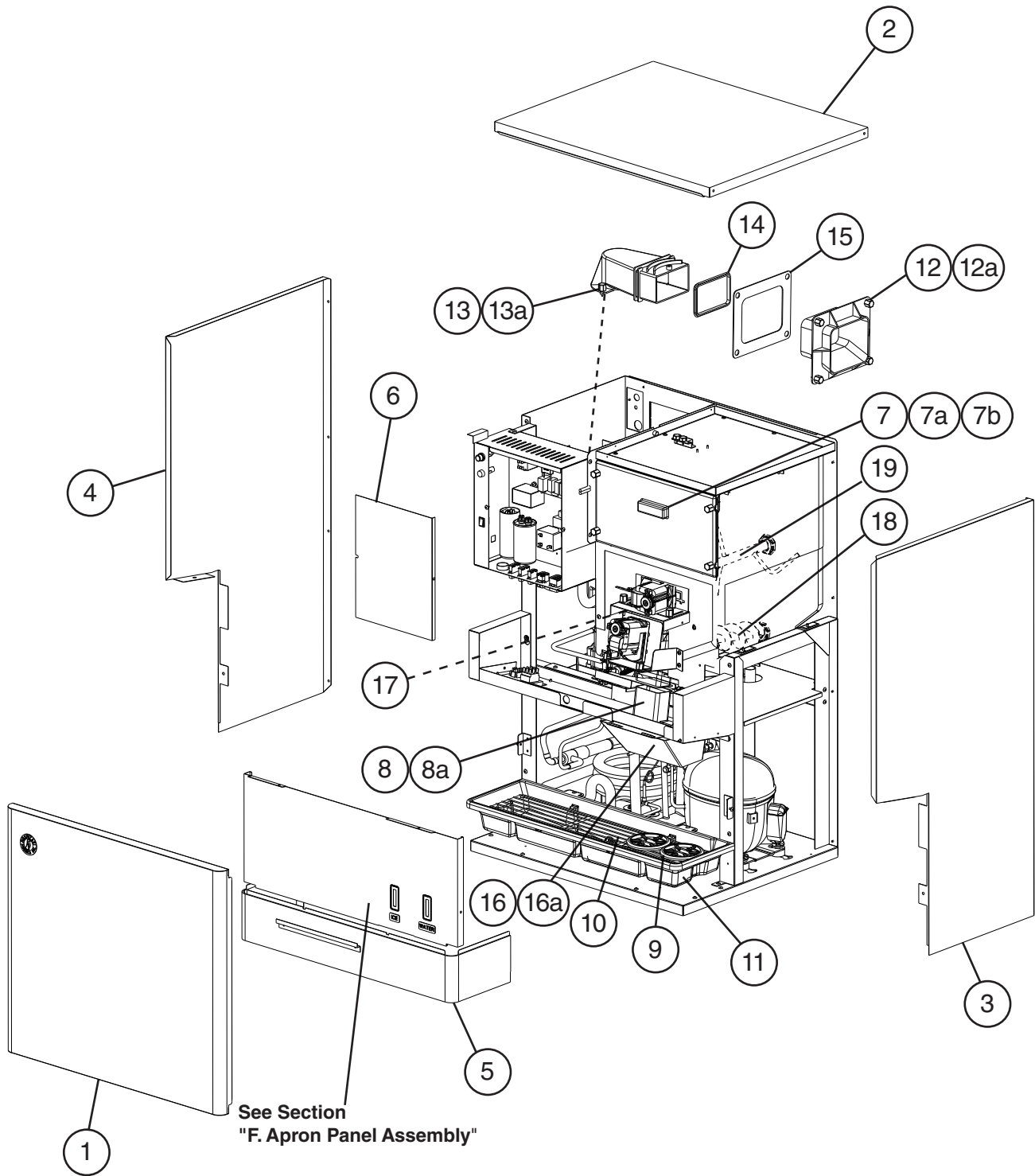


**A. Main Assembly**  
**DCM-500BAH-OS**  
**2/2**  
 M-0 to K-2



| Title: A. Main Assembly Model: DCM-500BAH-OS |                      |                          |             |                 |            |            |            |            |   |  |  |  |  |
|--|----------------------|--------------------------|-------------|-----------------|------------|------------|------------|------------|---|--|--|--|--|
| Index No.                                    | Description          | Material or Model Number | Part Number | Required Number |            |            |            |            |   |  |  |  |  |
|  |                      |                          |             | M-0 to S-0      | S-1 to U-0 | U-1 to V-2 | V-3 to G-0 | H-0 to K-2 |   |  |  |  |  |
| 1  | Front Panel          |                          | 2A2891-01   | 1               | 1          | 1          | 1          | -          |   |  |  |  |  |
|  |                      |                          | 3A8900G02   |                 |            |            |            | 1          |   |  |  |  |  |
| 2  | Top Panel            |                          | 3A2514G01   | 1               | 1          | 1          | 1          | 1          |   |  |  |  |  |
| 3  | Right Side Panel     |                          | 2A2617-01   | 1               | 1          | 1          | -          |            |   |  |  |  |  |
|  |                      |                          | 2A6143-02   |                 |            |            | 1          | 1          |   |  |  |  |  |
| 4  | Left Side Panel      |                          | 2A2616-01   | 1               | 1          | 1          | -          |            |   |  |  |  |  |
|  |                      |                          | 2A6144-01   |                 |            |            | 1          | 1          |   |  |  |  |  |
| 5  | Louver               |                          | 103121-03   | 2               | 2          | 2          | 2          | 2          |   |  |  |  |  |
| 6  | Air Filter           |                          | 208283G03   | 1               | 1          | 1          | 1          | 1          |   |  |  |  |  |
| 7  | Middle Panel (Lo)    |                          | 2A0699G01   | 1               | 1          | 1          | 1          | 1          |   |  |  |  |  |
| 8  | Control Box Cover    |                          | 4A5054-01   | 1               | 1          | 1          | 1          | 1          |   |  |  |  |  |
| 9  | Bin Cover            |                          | 2A0880A02   | 1               | 1          | 1          | 1          | 1          |   |  |  |  |  |
| 9a   | Thumbscrew           |                          | 415949G12   | 4               | 4          | 4          | 4          | 4          |   |  |  |  |  |
| 9b   | Bin Cover Gasket     |                          | 318984G01   | 1               | 1          | 1          | 1          | 1          |   |  |  |  |  |
| 10   | Ice Chute            |                          | 4A2204-01   | 1               | 1          | 1          | 1          | 1          |   |  |  |  |  |
| 10a  | Thumbscrew           |                          | 415949G08   | 2               | 2          | 2          | 2          | 2          |   |  |  |  |  |
| 11   | Cup Guide            |                          | 326702-01   | 2               | 2          | 2          | 2          | 2          |   |  |  |  |  |
| 12   | Grille               |                          | 2A0827G01   | 1               | 1          | 1          | 1          | 1          |   |  |  |  |  |
| 13   | Drip Tray            |                          | 2A2591G01   | 1               | 1          | 1          | 1          | 1          |   |  |  |  |  |
| 14   | Spout (B)            |                          | 208807-01   | 1               | 1          | 1          | 1          | 1          |   |  |  |  |  |
| 14a  | Thumbscrew           |                          | 415949G11   | 4               | 4          | 4          | 4          | 4          |   |  |  |  |  |
| 15   | Spout                |                          | 103329G01   | 1               | 1          | 1          | 1          | 1          |   |  |  |  |  |
| 15a  | Thumbscrew           |                          | 415949G11   | 3               | 3          | 3          | 3          | 3          |   |  |  |  |  |
| 16   | Packing (A) Spout    |                          | 427195-01   | 1               | 1          | 1          | 1          | 1          |   |  |  |  |  |
| 17   | Packing (B) Spout    |                          | 427196-01   | 1               | 1          | 1          | 1          | 1          |   |  |  |  |  |
| 18   | Spout Cover          |                          | 215773-01   | 1               | 1          | 1          | 1          | 1          |   |  |  |  |  |
| 18a  | Thumbscrew           |                          | 415949G08   | 2               | 2          | 2          | 2          | 2          |   |  |  |  |  |
| 19   | Gasket               |                          | 429758-01   | 2               | 2          | 2          | 2          | 2          |   |  |  |  |  |
| 20   | Dispense Auger       |                          | 339192G01   | 1               | 1          | 1          | 1          | 1          |   |  |  |  |  |
| 21   | Agitator             |                          | 3A0895G01   | 1               | 1          | 1          | 1          | 1          |   |  |  |  |  |
| 22   | Gear Motor Bracket   |                          | 4A4308-01   |                 | 1          | 1          | 1          | 1          |   |  |  |  |  |
| 22a  | Hex Head Bolt        | 8x12, SS                 | 7B02-0812   |                 | 3          | 3          | 3          | 3          |   |  |  |  |  |
| 22b  | Split Lock Washer    | M8, SS                   | 7L22-0800   |                 |            |            | 3          | 3          |   |  |  |  |  |
| 23   | Drain Pan Bracket    |                          | 4A4315G01   | 1               | 1          | 1          | -          |            |   |  |  |  |  |
|  |                      |                          | 2A5389G01   |                 |            |            | 1          | 1          |   |  |  |  |  |
| 23a  | Hex Head Bolt        | 8x12, SS                 | 7B02-0812   |                 | 3          | 3          | -          |            |   |  |  |  |  |
|  |                      |                          | FT Screw    | 4x8             |            |            |            | 4          | 4 |  |  |  |  |
| 24   | Drain Pan            |                          | 323765G02   | 1               | -          |            |            |            |   |  |  |  |  |
|  |                      |                          | 4A4354G01   |                 | 1          | 1          | -          |            |   |  |  |  |  |
|  |                      |                          | 4A4354G02   |                 |            |            | 1          | 1          |   |  |  |  |  |
| 24a  | Flat Washer          | M8, SS                   | 7W22-0800   |                 | 4          | 4          | 4          | 4          |   |  |  |  |  |
| 24b  | Allen Head Cap Screw | 8x20, SS                 | 7S12-0820   |                 | 4          | 4          | 4          | 4          |   |  |  |  |  |

**A. Main Assembly**  
**DCM-500BWH-OS**  
**1/2**  
N-0 to K-2

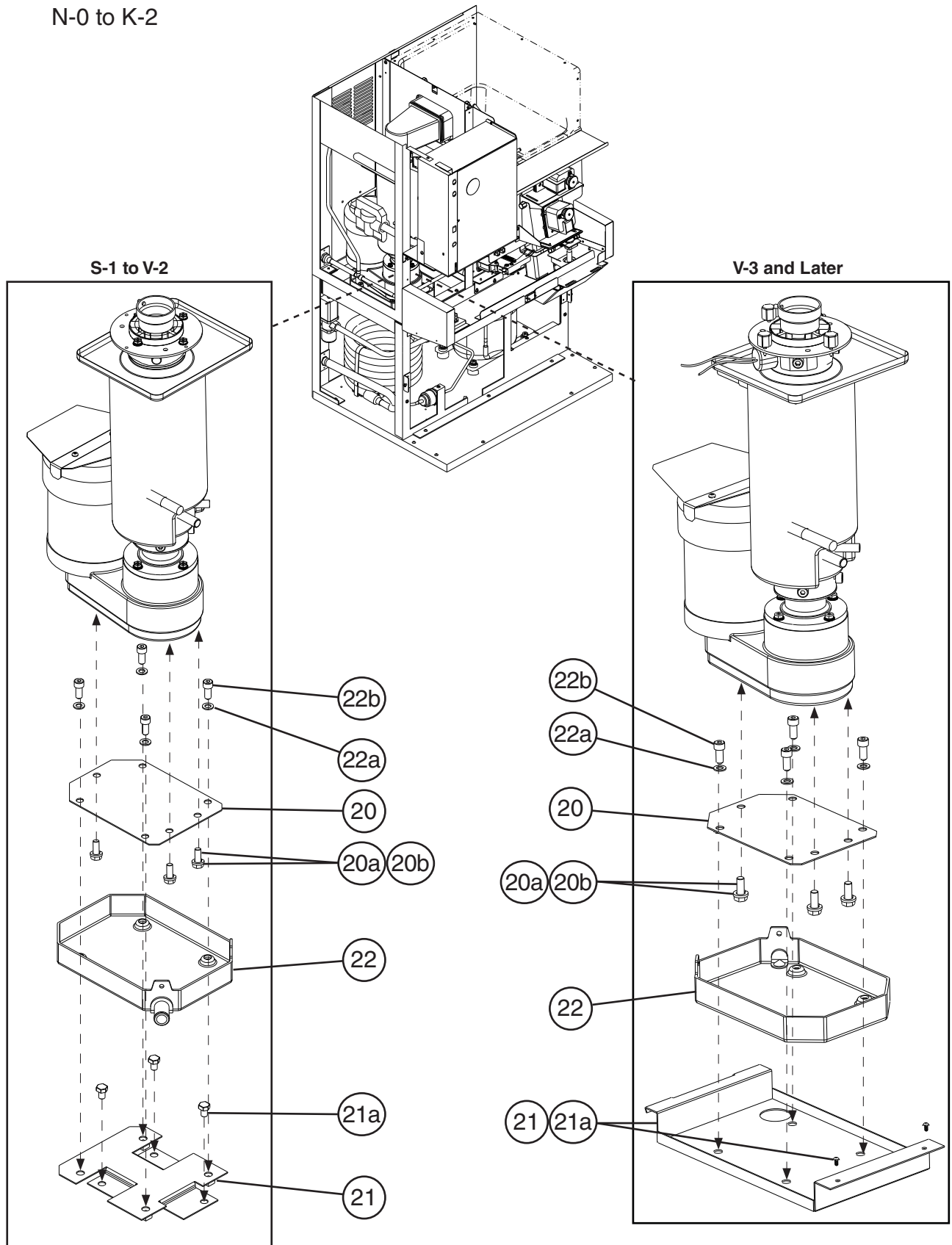




# A. Main Assembly DCM-500BWH-OS

2/2

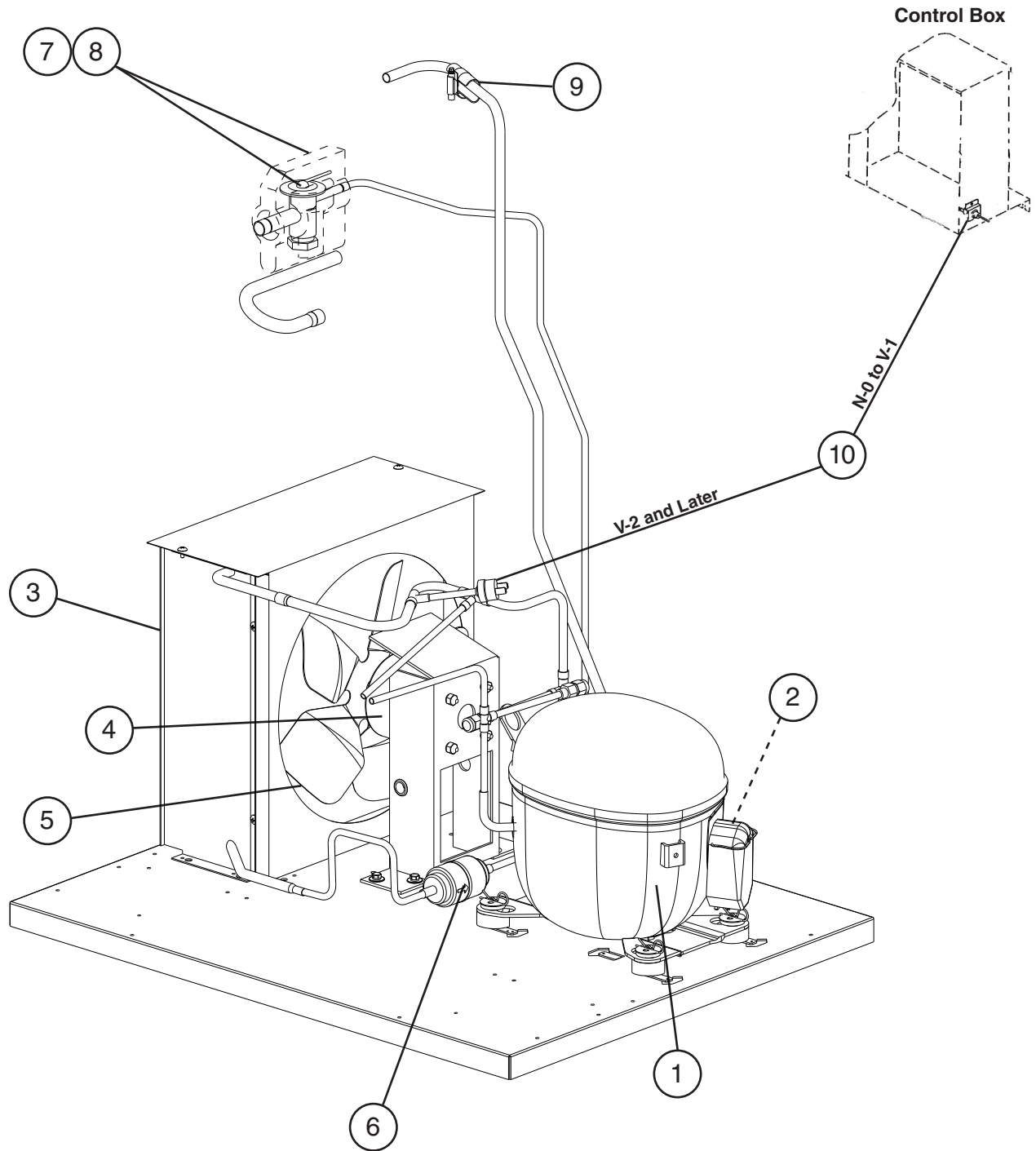
N-0 to K-2



**Title: A. Main Assembly    Model: DCM-500BWH-OS**

| Index No. | Description          | Material or Model Number | Part Number | Required Number |            |            |            |            |  |  |  |  |  |  |  |
|-----------|----------------------|--------------------------|-------------|-----------------|------------|------------|------------|------------|--|--|--|--|--|--|--|
|           |                      |                          |             | N-0 to S-0      | S-1 to U-0 | U-1 to V-2 | V-3 to G-0 | H-0 to K-2 |  |  |  |  |  |  |  |
| 1         | Front Panel          |                          | 2A2891-01   | 1               | 1          | 1          | 1          | -          |  |  |  |  |  |  |  |
|           |                      |                          | 3A8900G02   |                 |            |            |            | 1          |  |  |  |  |  |  |  |
| 2         | Top Panel            |                          | 3A2514G01   | 1               | 1          | 1          | 1          | 1          |  |  |  |  |  |  |  |
| 3         | Right Side Panel     |                          | 2A2625-01   | 1               | 1          | -          |            |            |  |  |  |  |  |  |  |
|           |                      |                          | 2A6141-01   |                 |            | 1          | 1          | 1          |  |  |  |  |  |  |  |
| 4         | Left Side Panel      |                          | 2A2624-01   | 1               | 1          | -          |            |            |  |  |  |  |  |  |  |
|           |                      |                          | 2A6142-01   |                 |            | 1          | 1          | 1          |  |  |  |  |  |  |  |
| 5         | Middle Panel (Lo)    |                          | 2A0699G01   | 1               | 1          | 1          | 1          | 1          |  |  |  |  |  |  |  |
| 6         | Control Box Cover    |                          | 4A5054-01   | 1               | 1          | 1          | 1          | 1          |  |  |  |  |  |  |  |
| 7         | Bin Cover            |                          | 2A0880A02   | 1               | 1          | 1          | 1          | 1          |  |  |  |  |  |  |  |
| 7a        | Thumbscrew           |                          | 415949G12   | 4               | 4          | 4          | 4          | 4          |  |  |  |  |  |  |  |
| 7b        | Bin Cover Gasket     |                          | 318984G01   | 1               | 1          | 1          | 1          | 1          |  |  |  |  |  |  |  |
| 8         | Ice Chute            |                          | 4A2204-01   | 1               | 1          | 1          | 1          | 1          |  |  |  |  |  |  |  |
| 8a        | Thumbscrew           |                          | 415949G08   | 2               | 2          | 2          | 2          | 2          |  |  |  |  |  |  |  |
| 9         | Cup Guide            |                          | 326702-01   | 2               | 2          | 2          | 2          | 2          |  |  |  |  |  |  |  |
| 10        | Grille               |                          | 2A0827G01   | 1               | 1          | 1          | 1          | 1          |  |  |  |  |  |  |  |
| 11        | Drip Tray            |                          | 2A2591G01   | 1               | 1          | 1          | 1          | 1          |  |  |  |  |  |  |  |
| 12        | Spout (B)            |                          | 208807-01   | 1               | 1          | 1          | 1          | 1          |  |  |  |  |  |  |  |
| 12a       | Thumbscrew           |                          | 415949G11   | 4               | 4          | 4          | 4          | 4          |  |  |  |  |  |  |  |
| 13        | Spout                |                          | 103329G01   | 1               | 1          | 1          | 1          | 1          |  |  |  |  |  |  |  |
| 13a       | Thumbscrew           |                          | 415949G11   | 3               | 3          | 3          | 3          | 3          |  |  |  |  |  |  |  |
| 14        | Packing (A) Spout    |                          | 427195-01   | 1               | 1          | 1          | 1          | 1          |  |  |  |  |  |  |  |
| 15        | Packing (B) Spout    |                          | 427196-01   | 1               | 1          | 1          | 1          | 1          |  |  |  |  |  |  |  |
| 16        | Spout Cover          |                          | 215773-01   | 1               | 1          | 1          | 1          | 1          |  |  |  |  |  |  |  |
| 16a       | Thumbscrew           |                          | 415949G08   | 2               | 2          | 2          | 2          | 2          |  |  |  |  |  |  |  |
| 17        | Gasket               |                          | 429758-01   | 2               | 2          | 2          | 2          | 2          |  |  |  |  |  |  |  |
| 18        | Dispense Auger       |                          | 339192G01   | 1               | 1          | 1          | 1          | 1          |  |  |  |  |  |  |  |
| 19        | Agitator             |                          | 3A0895G01   | 1               | 1          | 1          | 1          | 1          |  |  |  |  |  |  |  |
| 20        | Gear Motor Bracket   |                          | 4A4308-01   |                 |            | 1          | 3          | 3          |  |  |  |  |  |  |  |
| 20a       | Hex Head Bolt        | 8x12, SS                 | 7B02-0812   |                 |            | 3          | 3          | 3          |  |  |  |  |  |  |  |
| 20b       | Split Lock Washer    | M8, SS                   | 7L22-0800   |                 |            | 3          | 3          | 3          |  |  |  |  |  |  |  |
| 21        | Drain Pan Bracket    |                          | 4A4315G01   |                 |            | 1          | -          |            |  |  |  |  |  |  |  |
|           |                      |                          | 2A5389G01   |                 |            |            | 1          | 1          |  |  |  |  |  |  |  |
| 21a       | Hex Head Bolt        | 8x12, SS                 | 7B02-0812   |                 |            | 3          | -          |            |  |  |  |  |  |  |  |
|           | FT Screw             | 4x8, SS                  | 7F32-0408   |                 |            |            | 4          | 4          |  |  |  |  |  |  |  |
| 22        | Drain Pan            |                          | 323765G02   | 1               | -          |            |            |            |  |  |  |  |  |  |  |
|           |                      |                          | 4A4354G01   |                 | 1          | 1          | -          |            |  |  |  |  |  |  |  |
|           |                      |                          | 4A4354G02   |                 |            |            | 1          | 1          |  |  |  |  |  |  |  |
| 22a       | Flat Washer          | M8, SS                   | 7W22-0800   |                 |            | 4          | 4          | 4          |  |  |  |  |  |  |  |
| 22b       | Allen Head Cap Screw | 8x20, SS                 | 7S12-0820   |                 |            | 4          | 4          | 4          |  |  |  |  |  |  |  |

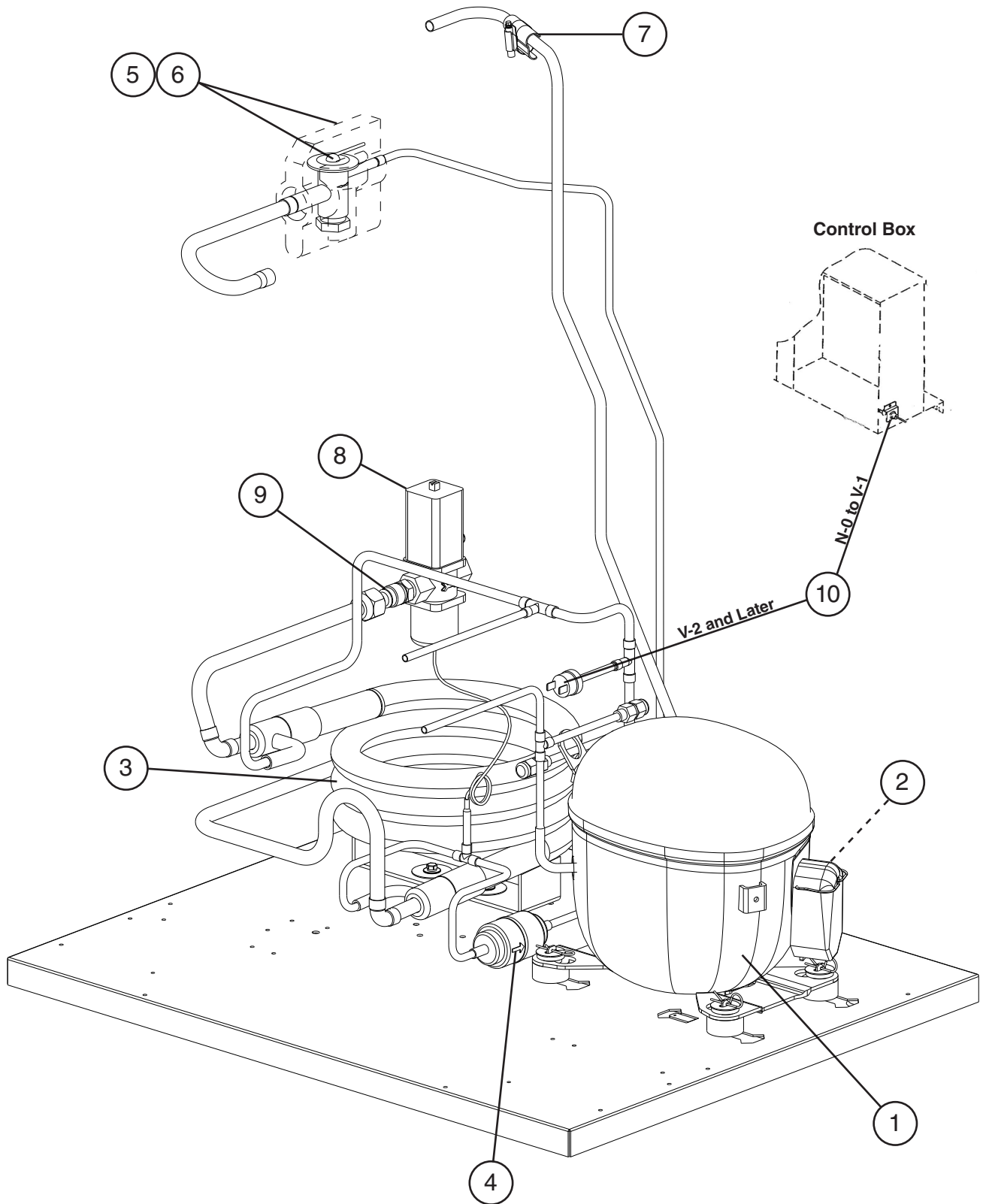
**B. Refrigeration Circuit**  
**DCM-500BAH-OS**  
M-0 to K-2



**Title: B. Refrigeration Circuit    Model: DCM-500BAH-OS**

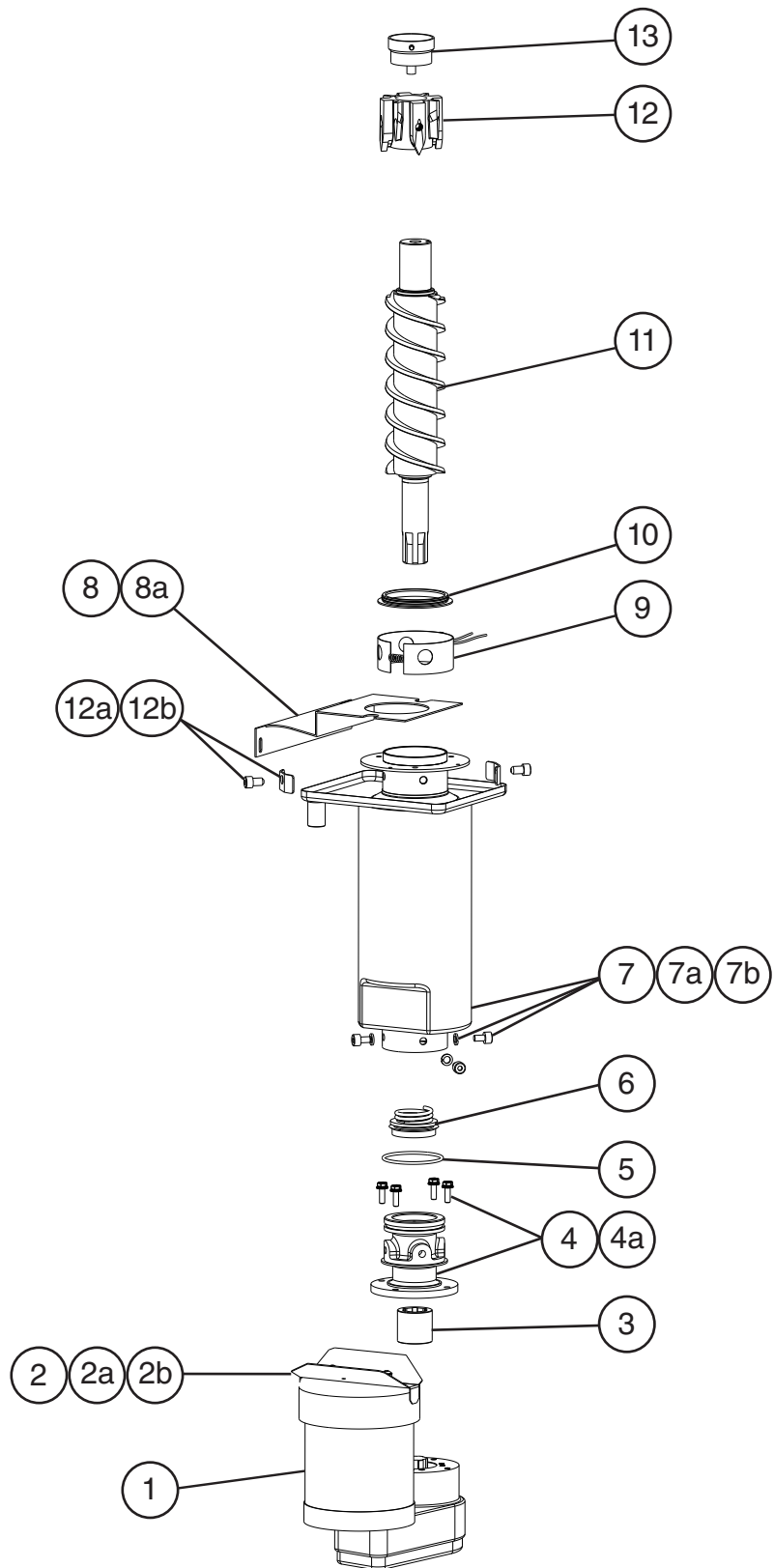
| Index No. | Description                              | Material or Model Number | Part Number | Required Number |            |  |  |  |  |  |  |  |
|-----------|--|--------------------------|-------------|-----------------|------------|--|--|--|--|--|--|--|
|           |  |                          |             | M-0 to V-0      | V-2 to K-2 |  |  |  |  |  |  |  |
| 1         | Compressor                               |                          | 4A2300-01   | 1               | -          |  |  |  |  |  |  |  |
|           |  |                          | 4A4479-01   |                 | 1          |  |  |  |  |  |  |  |
| 2         | External Compressor Protector            |                          | 4A1805-01   | 1               | -          |  |  |  |  |  |  |  |
|           |  |                          | 4A4481-01   |                 | 1          |  |  |  |  |  |  |  |
| 3         | Condenser                                |                          | 210104-02   | 1               | 1          |  |  |  |  |  |  |  |
| 4         | Fan Motor                                |                          | 4A3158-01   | 1               | 1          |  |  |  |  |  |  |  |
| 5         | Fan Blade                                |                          | 444898-01   | 1               | 1          |  |  |  |  |  |  |  |
| 6         | Drier                                    |                          | 4A1113-01   | 1               | 1          |  |  |  |  |  |  |  |
| 7         | Thermostatic Expansion Valve             |                          | 4A1117-01   | 1               | 1          |  |  |  |  |  |  |  |
| 8         | Thermostatic Expansion Valve Cover       |                          | 4A1168-01   | 1               | 1          |  |  |  |  |  |  |  |
| 9         | Thermostatic Expansion Valve Bulb Holder |                          | 3A0107-01   | 1               | 1          |  |  |  |  |  |  |  |
| 10        | High-Pressure Switch                     |                          | 433441-07   | 1               | -          |  |  |  |  |  |  |  |
|           |  |                          | 463180-04   |                 | 1          |  |  |  |  |  |  |  |

**B. Refrigeration Circuit**  
**DCM-500BWH-OS**  
N-0 to K-2



| Title: B. Refrigeration Circuit Model: DCM-500BWH-OS |  |                          |             |                 |            |            |  |  |  |  |  |
|--|--|--------------------------|-------------|-----------------|------------|------------|--|--|--|--|--|
| Index No.  | Description                              | Material or Model Number | Part Number | Required Number |            |            |  |  |  |  |  |
|  |  |                          |             | N-0 to V-0      | V-2 to C-0 | C-1 to K-2 |  |  |  |  |  |
| 1  | Compressor                               |                          | 4A2300-01   | 1               | -          |            |  |  |  |  |  |
|  |  |                          | 4A4479-01   |                 | 1          | 1          |  |  |  |  |  |
| 2  | External Compressor Protector            |                          | 4A1805-01   | 1               | -          |            |  |  |  |  |  |
|  |  |                          | 4A4481-01   |                 | 1          | 1          |  |  |  |  |  |
| 3  | Condenser                                | HS-5098                  | 2A2359G02   | 1               | 1          | -          |  |  |  |  |  |
|  |  |                          | 3A7321-01   |                 |            | 1          |  |  |  |  |  |
| 4  | Drier                                    |                          | 4A1113-01   | 1               | 1          | 1          |  |  |  |  |  |
| 5  | Thermostatic Expansion Valve             |                          | 4A1117-01   | 1               | 1          | 1          |  |  |  |  |  |
| 6  | Thermostatic Expansion Valve Cover       |                          | 4A1168-01   | 1               | 1          | 1          |  |  |  |  |  |
| 7  | Thermostatic Expansion Valve Bulb Holder |                          | 3A0107-01   | 1               | 1          | 1          |  |  |  |  |  |
| 8  | Water Regulating Valve                   |                          | 4A0911-04   | 1               | 1          | 1          |  |  |  |  |  |
| 9  | Male Connector                           |                          | 4A1087-01   | 1               | 1          | 1          |  |  |  |  |  |
| 10   | High-Pressure Switch                     |                          | 433441-05   | 1               | -          |            |  |  |  |  |  |
|  |  |                          | 463180-05   |                 | 1          | 1          |  |  |  |  |  |

**C. Icemaking Unit**  
**DCM-500B\_H-OS**  
T-0 to K-2

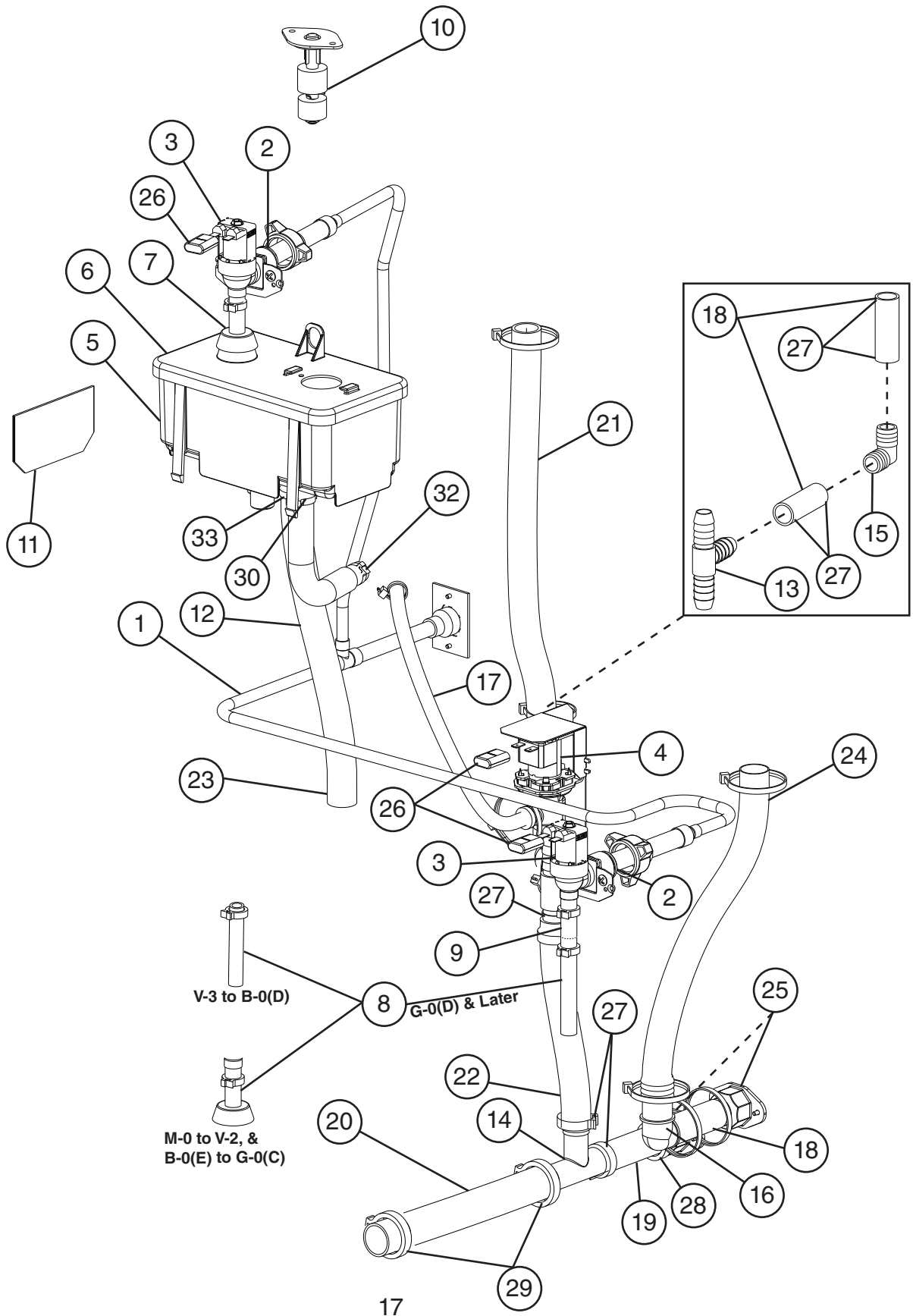


**Title: C. Icemaking Unit    Model: DCM-500B\_H-OS**

| Index No. | Description             | Material or Model Number | Part Number | Required Number |               |               |  |  |  |  |  |  |  |  |
|-----------|-------------------------|--------------------------|-------------|-----------------|---------------|---------------|--|--|--|--|--|--|--|--|
|           |                         |                          |             | M-0 to S-0      | S-1 to E-0(K) | E-0(L) to K-2 |  |  |  |  |  |  |  |  |
| 1         | Gear Motor              |                          | HS-2125     | 1               | -             |               |  |  |  |  |  |  |  |  |
|           |                         |                          | 4A4320-01   |                 | 1             | -             |  |  |  |  |  |  |  |  |
|           |                         |                          | 4A5650-01   |                 |               | 1             |  |  |  |  |  |  |  |  |
| 2         | Gear Motor Cover        |                          | 3A4584-01   | 1               | 1             | 1             |  |  |  |  |  |  |  |  |
| 2a        | Truss Head Screw        | 5x8                      | 7C32-0508   | 2               | 2             | 2             |  |  |  |  |  |  |  |  |
| 2b        | Rubber Seal Washer      |                          | 4A5268-02   | 2               | 2             | 2             |  |  |  |  |  |  |  |  |
| 3         | Spline Coupling         |                          | 4A3204-01   | 1               | 1             | 1             |  |  |  |  |  |  |  |  |
| 4         | Housing                 |                          | 2A0947G01   | 1               | 1             | 1             |  |  |  |  |  |  |  |  |
| 4a        | Bolt                    |                          | 4A1989-01   | 4               | 4             | 4             |  |  |  |  |  |  |  |  |
| 5         | O-Ring                  |                          | 4A4755-02   | 1               | 1             | 1             |  |  |  |  |  |  |  |  |
| 6         | Mechanical Seal         |                          | 432492-01   | 1               | 1             | 1             |  |  |  |  |  |  |  |  |
| 7         | Evaporator              |                          | 2A3314G01   | 1               | 1             | 1             |  |  |  |  |  |  |  |  |
| 7a        | Split Lock Washer       | M8, SS                   | 7L22-0800   | 4               | 4             | 4             |  |  |  |  |  |  |  |  |
| 7b        | Allen Head Cap Screw    | 8x12, SS                 | 7S12-0812   | 4               | 4             | 4             |  |  |  |  |  |  |  |  |
| 8         | Evaporator Bracket      |                          | 3A0360-01   | 1               | 1             | 1             |  |  |  |  |  |  |  |  |
| 8a        | Hex Head Bolt w/ Washer | 5x10, SS                 | 7B0230510   | 2               | 2             | 2             |  |  |  |  |  |  |  |  |
| 9         | Evaporator Heater       |                          | 4A2292-01   |                 | 1             | 1             |  |  |  |  |  |  |  |  |
| 10        | Packing                 |                          | 427151-02   | 1               | 1             | 1             |  |  |  |  |  |  |  |  |
| 11        | Auger                   |                          | 120863G02   | 1               | 1             | 1             |  |  |  |  |  |  |  |  |
| 12        | Extruding Head          |                          | 216530G07   | 1               | 1             | 1             |  |  |  |  |  |  |  |  |
| 12a       | Washer                  |                          | 427184-01   | 1               | 1             | 1             |  |  |  |  |  |  |  |  |
| 12b       | Seal Bolt               |                          | P01768-01   | 4               | 4             | 4             |  |  |  |  |  |  |  |  |
| 13        | Cutter                  |                          | 427183G01   | 1               | 1             | 1             |  |  |  |  |  |  |  |  |



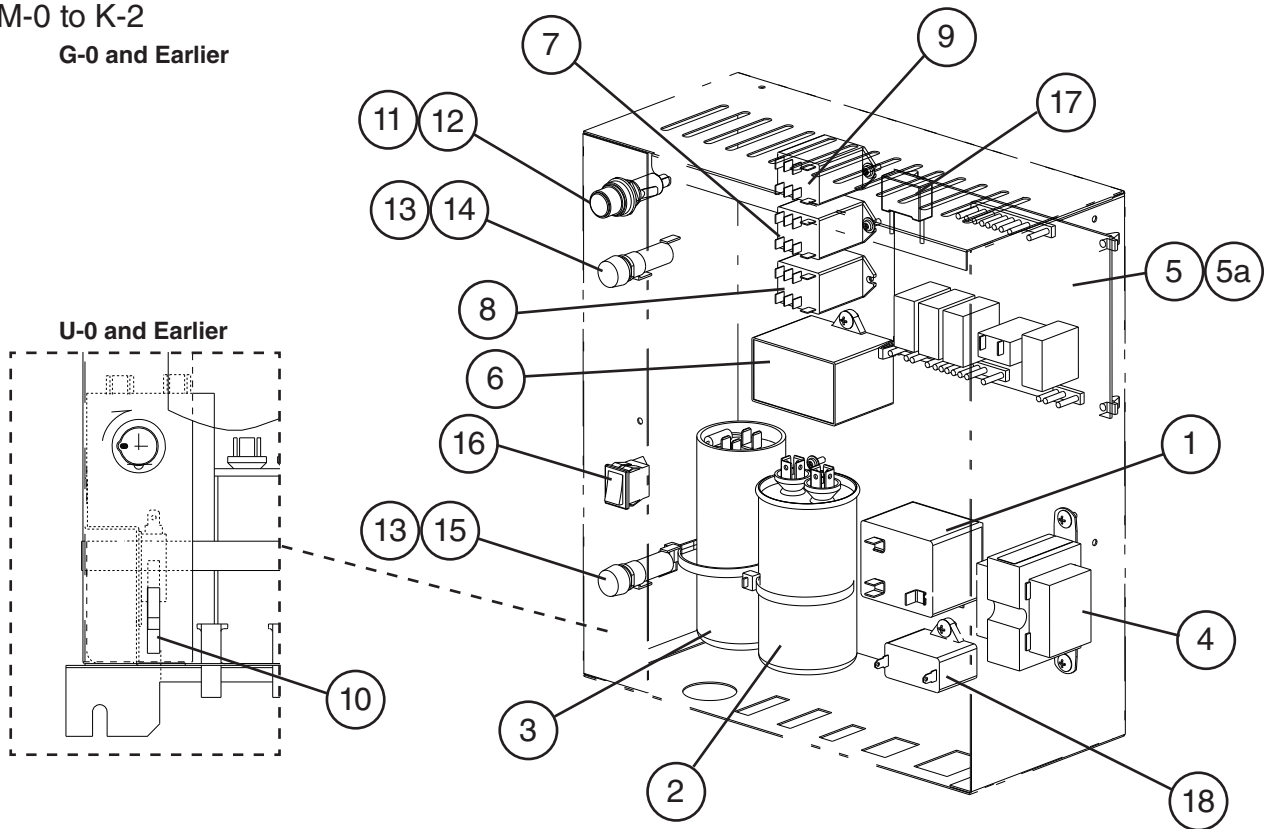
**D. Water Circuit**  
**DCM-500B\_H-OS**  
 M-0 to K-2



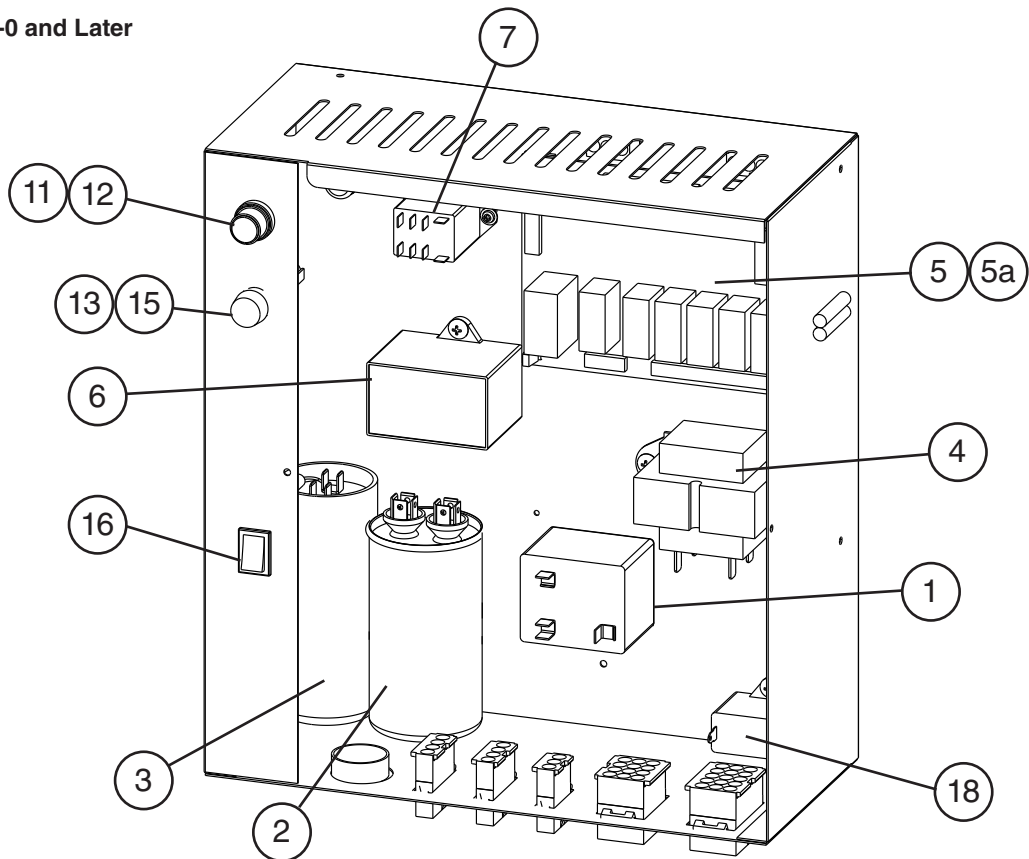
**Title: D. Water Circuit Model: DCM-500B\_H-OS**

| Index No.          | Description                         | Material or Model Number | Part Number | Required Number |            |            |               |                  |                   |                   |                  |         |   |
|--------------------|-------------------------------------|--------------------------|-------------|-----------------|------------|------------|---------------|------------------|-------------------|-------------------|------------------|---------|---|
|                    |                                     |                          |             | M-0 to P-1      | Q-0 to S-0 | S-1 to V-2 | V-3 to B-0(D) | B-0(E) to G-0(C) | G-0(D) to G-0( J) | G-0(K) to J-0( C) | J-0(D) to J-0(F) | J-1 K-2 |   |
| 1                  | Water Supply Pipe                   |                          | 2A0680G01   | 1               | 1          | 1          | 1             | -                |                   |                   |                  |         |   |
|                    |                                     |                          | 2A7569G01   |                 |            |            |               | 1                | 1                 | 1                 | 1                | 1       |   |
| 2                  | Washer                              |                          | 4A0867-01   | 2               | 2          | 2          | 2             | -                |                   |                   |                  |         |   |
|                    | Rubber Gasket                       |                          | 413854-03   |                 |            |            |               | 2                | 2                 | 2                 | 2                | 2       | 2 |
| 3                  | Water Valve (Inlet and Dispense)    |                          | 4A0865-01   | 2               | 2          | 2          | 2             | -                |                   |                   |                  |         |   |
|                    |                                     |                          | 4A5309-01   |                 |            |            |               | 2                | 2                 | 2                 | 2                | 2       | 2 |
| 4                  | Water Valve (Drain)                 |                          | 4A2772-01   | 1               | 1          | 1          | 1             | 1                | 1                 | 1                 | 1                | 1       | 1 |
| 5                  | Reservoir                           |                          | 2A0753-01   | 1               | 1          | 1          | 1             | 1                | 1                 | 1                 | 1                | 1       | 1 |
| 6                  | Reservoir Cover                     |                          | 214810-01   | 1               | 1          | 1          | 1             | 1                | 1                 | 1                 | 1                | 1       | 1 |
| 7                  | Reservoir Inlet (inlet water valve) |                          | 4A0869-01   | 1               | 1          | 1          | 1             | 1                | 1                 | 1                 | 1                | 1       | 1 |
| 8                  | Reservoir Inlet (drain valve)       |                          | 4A0869-01   | 1               | 1          | 1          | -             | 1                | -                 |                   |                  | 1       | 1 |
|                    | Vinyl Hose (drain valve)            | L=75 mm                  | 7725-0912   |                 |            |            | 1             | -                |                   |                   |                  |         |   |
|                    | Water Tube                          |                          | 4A3218-01   |                 |            |            |               |                  | 1                 | 1                 | 1                | 1       | 1 |
| 9                  | Silicone Hose                       | L=60 mm                  | 7730-0912   |                 |            |            |               |                  | 1                 | 1                 | 1                | 1       | 1 |
| 10                 | Float Switch                        |                          | 435490-01   | 1               | 1          | 1          | 1             | 1                | 1                 | 1                 | 1                | 1       | 1 |
| 11                 | Reservoir Separator                 |                          | 4A1255-01   | 1               | 1          | 1          | 1             | 1                | 1                 | 1                 | 1                | 1       | 1 |
| 12                 | Reservoir Hose                      |                          | 4A1165-02   | 1               | 1          | 1          | 1             | 1                | 1                 | 1                 | 1                | 1       | 1 |
| 13                 | Tee                                 |                          | 4A3615-01   | 1               | 1          | 1          | 1             | 1                | 1                 | 1                 | 1                | 1       | 1 |
| 14                 | Tee                                 |                          | 4A0525-04   | 1               | 1          | 1          | 1             | 1                | 1                 | 1                 | 1                | 1       | 1 |
| 15                 | Elbow                               |                          | 4A1017-01   | 1               | 1          | 1          | 1             | 1                | 1                 | 1                 | 1                | 1       | 1 |
| 16                 | Elbow                               |                          | 4A1016-01   | 1               | 1          | 1          | 1             | 1                | 1                 | 1                 | 1                | 1       | 1 |
| 17                 | Silicone Hose                       | L=310 mm                 | 773013896   | 1               | 1          | 1          | -             |                  |                   |                   |                  |         |   |
|                    |                                     | L=300 mm                 |             |                 |            |            | 1             | 1                | 1                 | 1                 | 1                | 1       |   |
| 18                 | Vinyl Hose                          | L=70 mm                  | 7716-2025   | 2               | 2          | 2          | -             |                  |                   |                   |                  |         |   |
|                    |                                     | L=60 mm                  |             |                 |            |            | 3             | 3                | 3                 | 3                 | 3                | 3       |   |
| 19                 | Vinyl Hose                          | L=100 mm                 | 7716-2025   |                 |            |            | 1             | 1                | 1                 | 1                 | 1                | 1       | 1 |
| 20                 | Vinyl Hose                          | L=320 mm                 | 7725-1923   | 1               | 1          | 1          | -             |                  |                   |                   |                  |         |   |
|                    |                                     | L=225 mm                 |             |                 |            |            | 1             | -                |                   |                   |                  |         |   |
|                    |                                     | L=290 mm                 |             |                 |            |            |               | 1                | 1                 | 1                 | 1                | 1       |   |
| 21                 | Vinyl Hose                          | L=400 mm                 | 7725-1923   |                 |            |            |               | 1                | 1                 | 1                 | 1                | 1       | 1 |
| 22                 | Vinyl Hose                          | L=225 mm                 | 7725-1923   |                 |            |            |               | 1                | 1                 | 1                 | 1                | 1       | 1 |
| 23                 | Vinyl Hose                          | L=250 mm                 | 4A0658L01   | 1               | 1          | 1          | -             |                  |                   |                   |                  |         |   |
|                    |                                     | L=225 mm                 |             |                 |            |            | 1             | 1                | 1                 | 1                 | 1                | 1       |   |
| 24                 | Vinyl Hose                          | L=345 mm                 | 4A0658L01   | 1               | 1          | 1          | 1             | 1                | 1                 | 1                 | 1                | 1       | 1 |
| 25                 | Drain Fitting                       |                          | 4A0776G01   | 2               | 2          | 2          | 2             | -                |                   |                   |                  |         |   |
|                    |                                     |                          | 4A5527-01   |                 |            |            |               | 2                | 2                 | 2                 | 2                | 2       | 2 |
| 26                 | R-C Capacitor (noise killer)        | 0.2MFD, 250VAC           | 4A1012-01   | 3               | 3          | 3          | 3             | 3                | 3                 | 1                 |                  |         |   |
|                    |                                     |                          | 4A4472-01   |                 |            |            |               |                  |                   | 3                 | -                |         |   |
|                    |                                     | 0.1MFD, 250VAC           | 4A6495-01   |                 |            |            |               |                  |                   |                   |                  | 3       | 3 |
| <b>Hose Clamps</b> |                                     |                          |             |                 |            |            |               |                  |                   |                   |                  |         |   |
| 27                 | Hose Clamp                          | 21-26 mm                 | 4A2017-01   | 10              | 10         | 10         | -             |                  |                   |                   |                  |         | 7 |
| 28                 | Hose Clamp                          | 26-30 mm                 | 4A2017-02   | 2               | 2          | 2          | -             |                  |                   |                   |                  |         | 1 |
| 29                 | Hose Clamp                          | 31-36 mm                 | 4A2017-03   | 4               | 4          | 4          | -             |                  |                   |                   |                  |         | 2 |
| 30                 | Hose Clamp                          | 17-20 mm                 | 4A2017-05   | 1               | 1          | 1          | 1             | 1                | 1                 | 1                 | 1                | 1       | 1 |
| 31                 | Hose Clamp                          | 19-22 mm                 | 4A2017-06   | 1               | 1          | 1          | -             |                  |                   |                   |                  |         |   |
| 32                 | Hose Clamp                          | 13-15 mm                 | 4A2017-08   | 4               | 4          | 4          | 3             | 3                | 3                 | 3                 | 3                | 3       | 3 |
| 33                 | Hose Clamp                          | 22-25 mm                 | 4A2017-09   |                 |            |            |               |                  |                   |                   |                  |         | 1 |

**E. Control Box Assembly**  
**DCM-500B\_H-OS**  
 M-0 to K-2  
 G-0 and Earlier

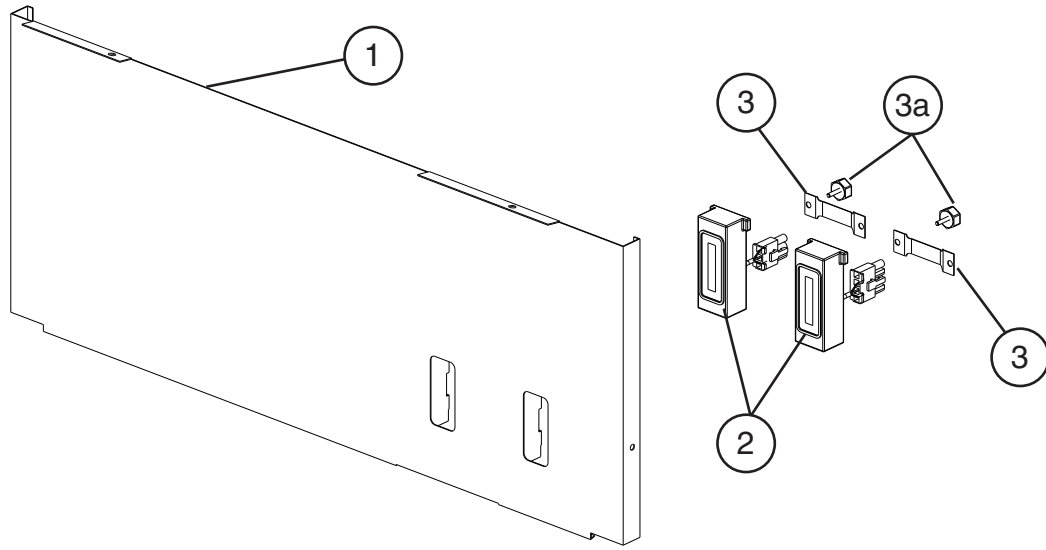


**H-0 and Later**



| Title: E. Control Box Assembly Model: DCM-500B_H-OS |   |                                      |             |                 |         |            |            |     |            |               |                      |            |
|---|---|--------------------------------------|-------------|-----------------|---------|------------|------------|-----|------------|---------------|----------------------|------------|
| Index No.   | Description   | Material or Model Number             | Part Number | Required Number |         |            |            |     |            |               |                      |            |
|   |   |                                      |             | M-0 to Q-1      | R-0 S-0 | S-1 to U-0 | U-1 to V-0 | V-2 | V-3 to V-5 | A-0 to G-0(J) | G-0(K) G-0(L) G-0(M) | H-0 to K-2 |
| 1   | Start Relay   |                                      | 4A1107-11   | 1               | 1       | 1          | 1          | 1   | 1          | 1             | 1                    | 1          |
| 2   | Run Capacitor                                       | 15MFD, 370VAC                        | 3A2005-08   | 1               | 1       | 1          | 1          | -   |            |               |                      |            |
|   |   | 35MFD, 440VAC                        | 3A2005-12   |                 |         |            |            | 1   | 1          | 1             | 1                    | 1          |
| 3   | Start Capacitor                                     | 243-292MFD, 115VAC                   | 3A0076-10   | 1               | 1       | 1          | 1          | -   |            |               |                      |            |
|   |   | 243-292MFD, 165VAC                   | 3A0076-20   |                 |         |            |            | 1   | 1          | 1             | 1                    | 1          |
| 4   | Control Transformer                                 |                                      | 3A6652-01   | 1               | 1       | 1          | 1          | 1   | 1          | 1             | 1                    | -          |
|   |   |                                      | 4A0557-01   |                 |         |            |            |     |            |               |                      | 1          |
| 5   | Control Board                                       |                                      | 2A2649-01   | 1               | 1       | 1          | 1          | 1   | 1          | 1             | 1                    | -          |
|   |   |                                      | 2A9093-01   |                 |         |            |            |     |            |               |                      | 1          |
| 5a  | Control Board Support                               |                                      | 4A0336-03   | 4               | 4       | 4          | 4          | 4   | 4          | 4             | 4                    | 4          |
| 6   | Gear Motor Capacitor                                | 12MFD, 330VAC                        | 4A0894-01   | 1               | 1       | -          |            |     |            |               |                      |            |
|   |   | 20MFD, 350VAC                        | 4A4319-01   |                 |         | 1          | 1          | 1   | 1          | 1             | 1                    | 1          |
| 7   | Compressor Control Relay (Gear Motor Protect Relay) | 120VAC                               | 4A6558-01   | 1               | 1       | 1          | 1          | 1   | 1          | 1             | 1                    | 1          |
| 8   | Power Protect Relay                                 | 220/240VAC                           | 418271-05   | 1               | 1       | 1          | 1          | 1   | 1          | 1             | 1                    | 1          |
| 9   | Water Control Relay                                 | 24VAC                                | 406132-03   | 1               | 1       | 1          | 1          | 1   | 1          | 1             | 1                    | 1          |
| 10  | Microswitch   |                                      | 4A2546-01   | 1               | 1       | 1          | -          |     |            |               |                      |            |
| 11  | Fuse Holder   |                                      | 4A0892-01   | 1               | 1       | 1          | 1          | 1   | 1          | -             |                      |            |
|   |   |                                      | 4A5443-01   |                 |         |            |            |     |            | 1             | 1                    | 1          |
| 12  | Fuse  | AGC-1A, 250VAC                       | 4A0893-01   | 1               | 1       | 1          | 1          | 1   | 1          | 1             | 1                    | 1          |
| 13  | Fuse Holder   |                                      | 4A3449-02   | 2               | 2       | 2          | 2          | 2   | 2          | 2             | 2                    | -          |
|   |   |                                      | 4A6101-01   |                 |         |            |            |     |            |               |                      | 1          |
| 14  | Fuse  | GMC-500mA, 250VAC                    | 4A0893-02   | 1               | 1       | 1          | 1          | 1   | 1          | 1             | 1                    | -          |
| 15  | Fuse  | GMD-1.5A, 250VAC                     | 4A0893-04   | 1               | -       |            |            |     |            |               |                      |            |
|   |   | GMD-1.6A, 250VAC                     | 4A0893-08   |                 | 1       | -          |            |     |            |               |                      |            |
|   |   | GMD-2.0A, 250VAC                     | 4A0893-05   |                 |         | 1          | 1          | 1   | 1          | 1             | 1                    | 1          |
| 16  | Power Switch  |                                      | 4A0558-01   | 1               | 1       | 1          | 1          | 1   | 1          | 1             | 1                    | 1          |
| 17  | R-C Capacitor (noise killer)                        | 0.2MFD, 250VAC                       | 4A1012-01   | 1               | 1       | 1          | 1          | 1   | 1          | 1             | -                    |            |
| 18  | Fan Motor Capacitor                                 | <b>DCM-500BAH-OS</b><br>5MFD, 250VAC | 4A6435-02   | 1               | 1       | 1          | 1          | 1   | 1          | 1             | 1                    | 1          |

**F. Apron Panel Assembly**  
**DCM-500B\_H-OS**  
M-0 to K-2

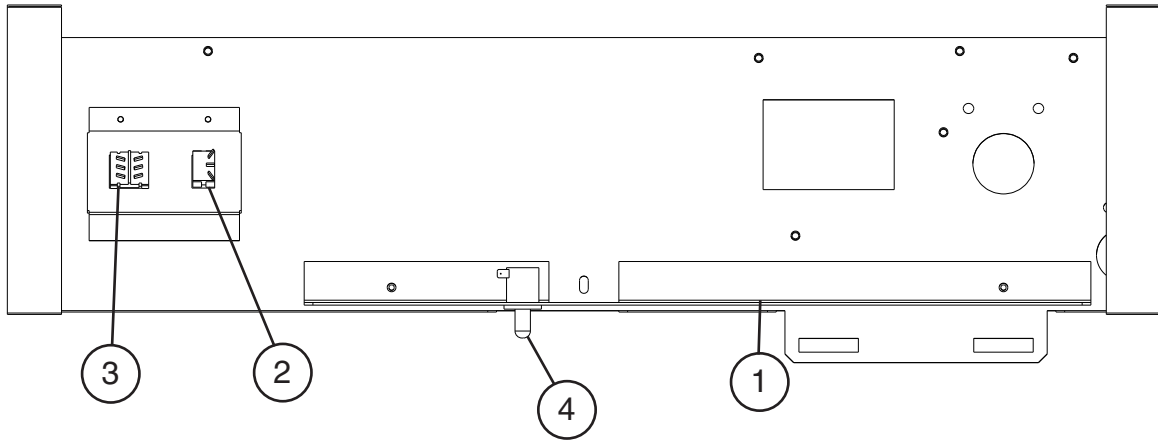


| Title: F. Apron Panel Assembly Model: DCM-500B_H-OS |                 |                              |             |                 |            |  |  |  |  |  |  |
|---|-----------------|------------------------------|-------------|-----------------|------------|--|--|--|--|--|--|
| Index No.   | Description     | Material or Model Number     | Part Number | Required Number |            |  |  |  |  |  |  |
|   |                 |                              |             | M-0 to P-1      | Q-0 to K-2 |  |  |  |  |  |  |
| 1   | Apron Panel     |                              | 3A2494G01   | 1               | -          |  |  |  |  |  |  |
|   |                 |                              | 3A3617G01   |                 | 1          |  |  |  |  |  |  |
| 2   | Sensor Assembly | <b>Ice</b><br>3-prong plug   | 4A3753G01   | 1               | 1          |  |  |  |  |  |  |
|   |                 | <b>Water</b><br>4-prong plug | 4A3753G02   | 1               | 1          |  |  |  |  |  |  |
| 3   | Sensor Cover    |                              | 4A3848-01   |                 | 2          |  |  |  |  |  |  |
| 3a  | Thumbscrew      |                              | 415949G10   |                 | 2          |  |  |  |  |  |  |

## G. Middle Front Frame Assembly

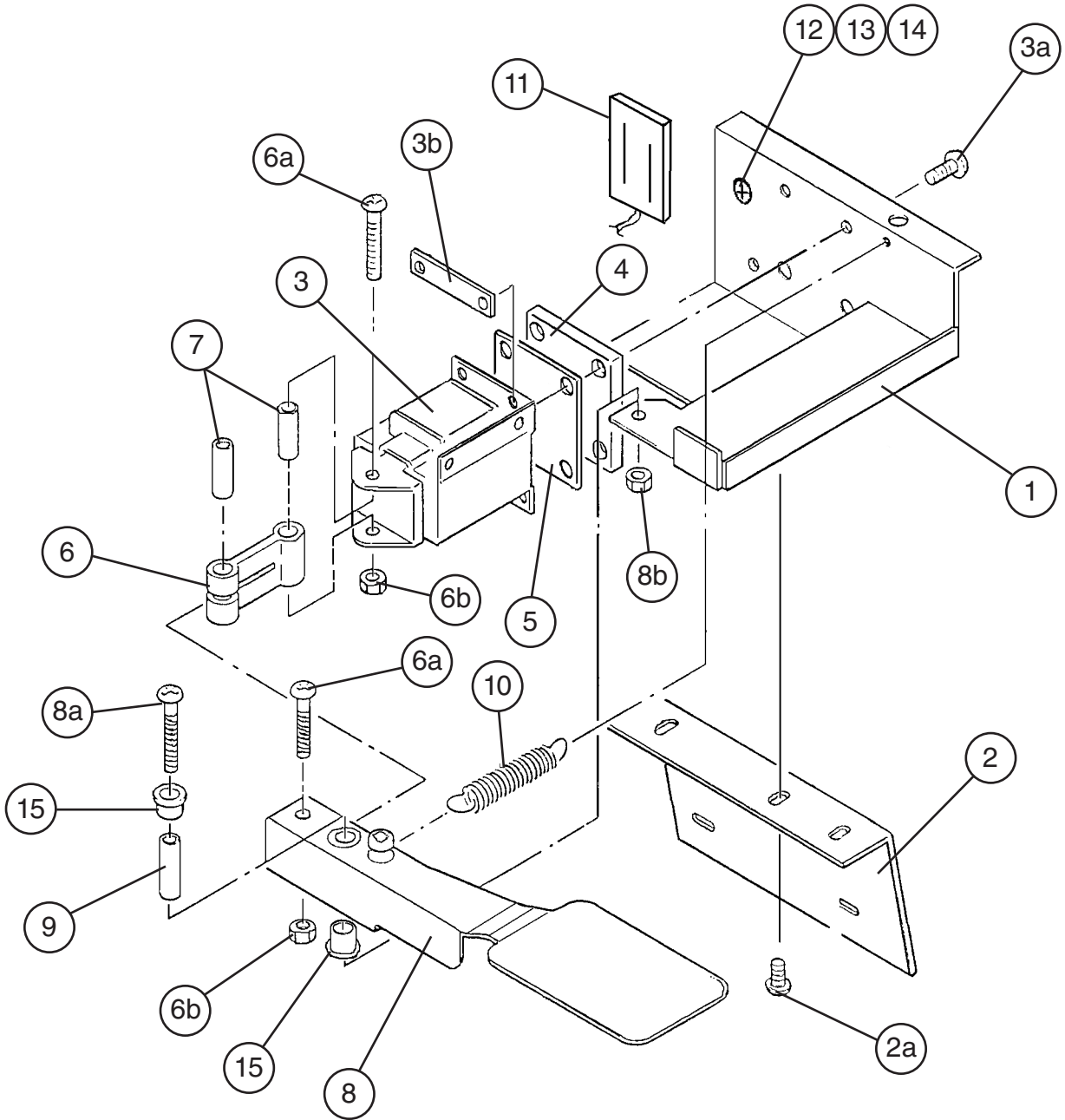
### DCM-500B\_H-OS

M-0 to K-2

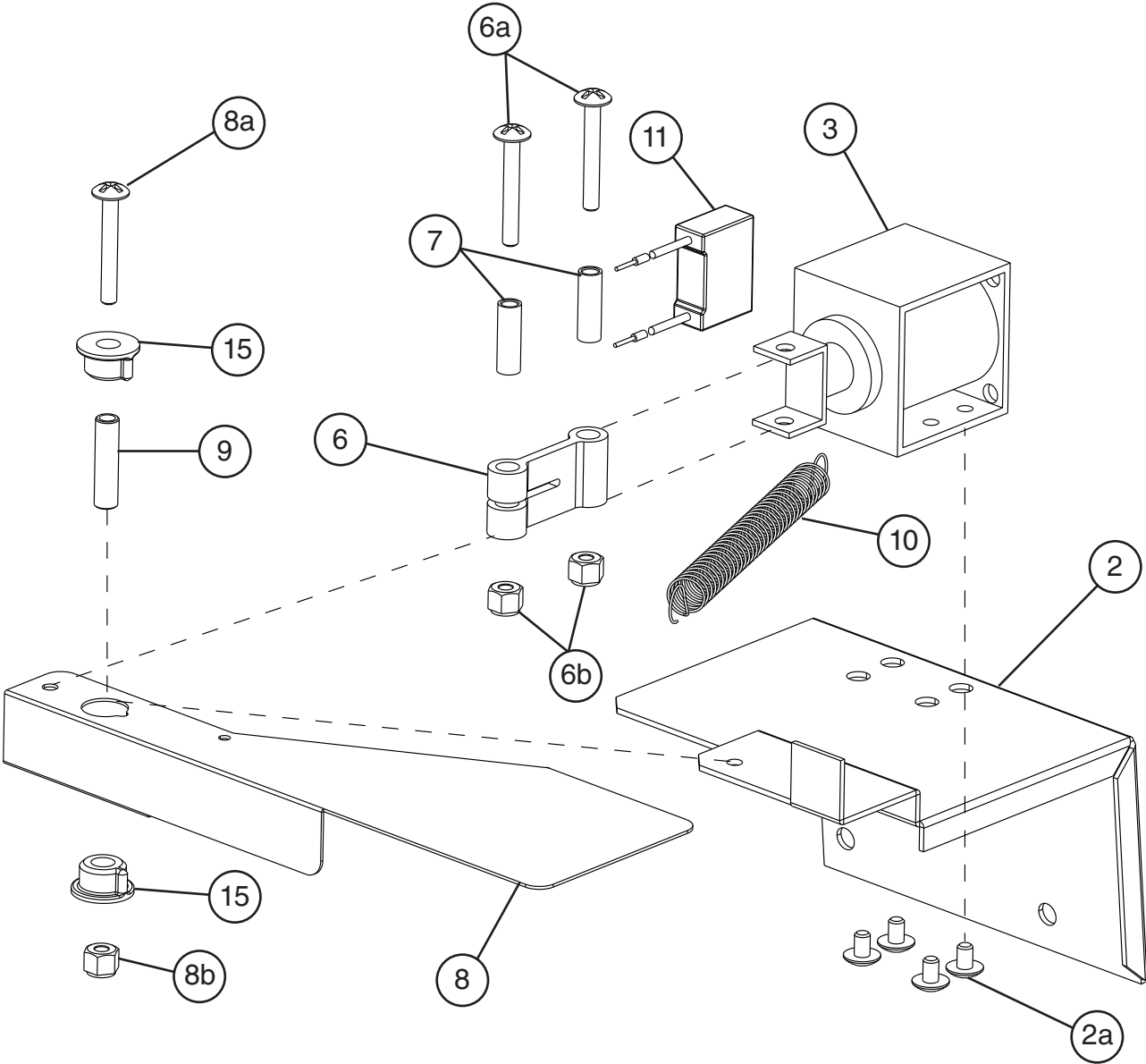


| Title: G. Middle Front Frame Assembly Model: DCM-500B_H-OS |                          |                          |             |                 |            |               |               |  |  |  |
|--|--------------------------|--------------------------|-------------|-----------------|------------|---------------|---------------|--|--|--|
| Index No.  | Description              | Material or Model Number | Part Number | Required Number |            |               |               |  |  |  |
|  |                          |                          |             | M-0 to U-0      | U-1 to G-0 | H-0 to H-0(G) | H-0(H) to K-2 |  |  |  |
| 1  | Middle Front Frame       |                          | 2A2743G01   | 1               | 1          | -             |               |  |  |  |
|  |                          |                          | 2A7943G01   |                 |            | 1             | 1             |  |  |  |
| 2  | Rocker Switch (dispense) |                          | 4A2957-01   | 1               | 1          | 1             | 1             |  |  |  |
| 3  | Rocker Switch (control)  |                          | 4A1034-01   | 1               | 1          | 1             | -             |  |  |  |
|  |                          |                          | 4A6179-01   |                 |            |               | 1             |  |  |  |
| 4  | Safety Switch (plunger)  |                          | 4A5034-01   |                 | 1          | 1             | 1             |  |  |  |

**H. Shutter Assembly**  
**DCM-500B\_H-OS**  
**1/2**  
M-0 to A-0



**H. Shutter Assembly**  
**DCM-500B\_H-OS**  
**2/2**  
A-1 to K-2



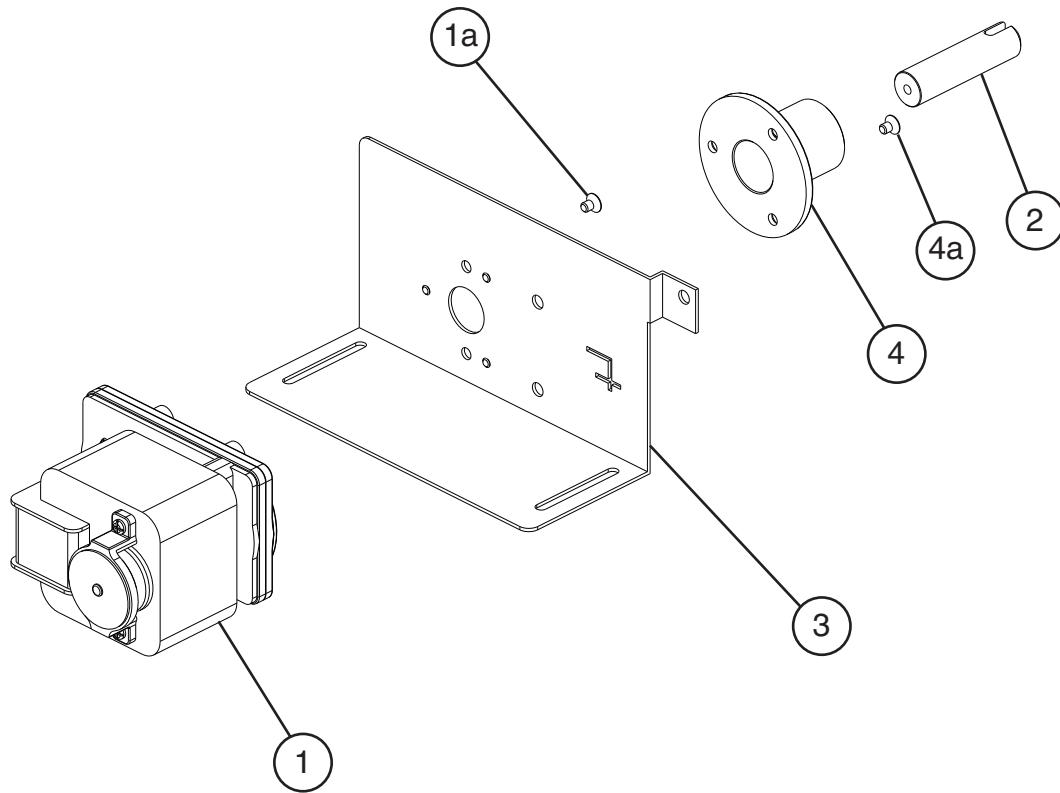


| Title: H. Shutter Assembly Model: DCM-500_H-OS |                                 |                          |             |                 |            |  |  |  |  |  |  |
|--|---------------------------------|--------------------------|-------------|-----------------|------------|--|--|--|--|--|--|
| Index No.                                      | Description                     | Material or Model Number | Part Number | Required Number |            |  |  |  |  |  |  |
|  |                                 |                          |             | M-0 to A-0      | A-1 to K-2 |  |  |  |  |  |  |
| 1  | Shutter Base                    |                          | 3A1817-01   | 1               | -          |  |  |  |  |  |  |
| 2  | Shutter Base (B)                |                          | 3A1762-01   | 1               | -          |  |  |  |  |  |  |
|  |                                 |                          | 3A6138-01   |                 | 1          |  |  |  |  |  |  |
| 2a   | Truss Head Screw                | 4x8                      | 7C32-0408   | 2               | -          |  |  |  |  |  |  |
|  |                                 | 4x6                      | 7C32-0406   |                 | 4          |  |  |  |  |  |  |
| 3  | Dispense Solenoid Valve         |                          | 3U0095-01   | 1               | -          |  |  |  |  |  |  |
|  |                                 |                          | 4A0856-01   |                 | 1          |  |  |  |  |  |  |
| 3a   | Truss Head Screw                | 4x12                     | 7C32-0412   | 4               | -          |  |  |  |  |  |  |
| 3b   | Dispense Solenoid Valve Nut     |                          | 429723-01   | 2               | -          |  |  |  |  |  |  |
| 4  | Dispense Solenoid Valve Packing |                          | 430380-01   | 1               | -          |  |  |  |  |  |  |
| 5  | Packing Cover                   |                          | 431623-01   | 1               | -          |  |  |  |  |  |  |
| 6  | Link                            |                          | 432232-01   | 1               | 1          |  |  |  |  |  |  |
| 6a   | Truss Head Screw                | 4x30                     | 7C32-0430   | 2               | 2          |  |  |  |  |  |  |
| 6b   | Self-Locking "U" Nut            | M4                       | 7N22-0400   | 2               | 2          |  |  |  |  |  |  |
| 7  | Collar (D)                      |                          | 432471-01   | 2               | 2          |  |  |  |  |  |  |
| 8  | Lever                           |                          | 3A1653G01   | 1               | -          |  |  |  |  |  |  |
|  |                                 |                          | 3A6139-01   |                 | 1          |  |  |  |  |  |  |
| 8a   | Truss Head Screw                | 4x30                     | 7C32-0430   | 1               | 1          |  |  |  |  |  |  |
| 8b   | Self-Locking "U" Nut            | M4                       | 7N22-0400   | 1               | 1          |  |  |  |  |  |  |
| 9  | Collar (E)                      |                          | 432240-02   | 1               | 1          |  |  |  |  |  |  |
| 10   | Spring                          |                          | 432878-01   | 1               | 1          |  |  |  |  |  |  |
| 11   | R-C Capacitor (noise killer)    |                          | 4A1012-01   | 1               | -          |  |  |  |  |  |  |
|  |                                 |                          | 4A4472-01   |                 | 1          |  |  |  |  |  |  |
|  |                                 |                          | 4A6495-01   | 1               | 1          |  |  |  |  |  |  |
| 12   | Truss Head Screw (GND)          | 4x8                      | 7C32-0408   | 2               | -          |  |  |  |  |  |  |
| 13   | Hex Nut                         | M4                       | 7N12-0400   | 1               | -          |  |  |  |  |  |  |
| 14   | Tooth Washer                    | M4                       | 7R22-0400   | 1               | -          |  |  |  |  |  |  |
| 15   | Plastic Sleeve Insert           |                          | 432235-01   | 2               | -          |  |  |  |  |  |  |
|  |                                 |                          | 435533-01   |                 | 2          |  |  |  |  |  |  |

# J. Gear Motor Assembly (Agitator)

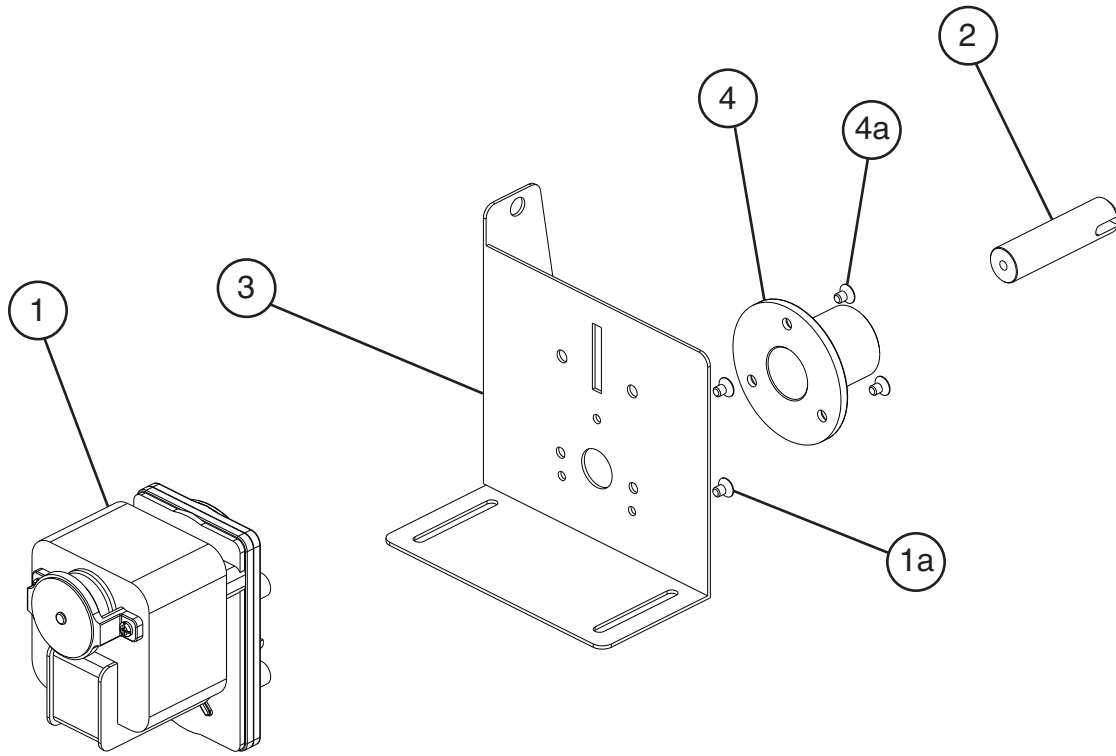
## DCM-500B\_H-OS

M-0 to K-2



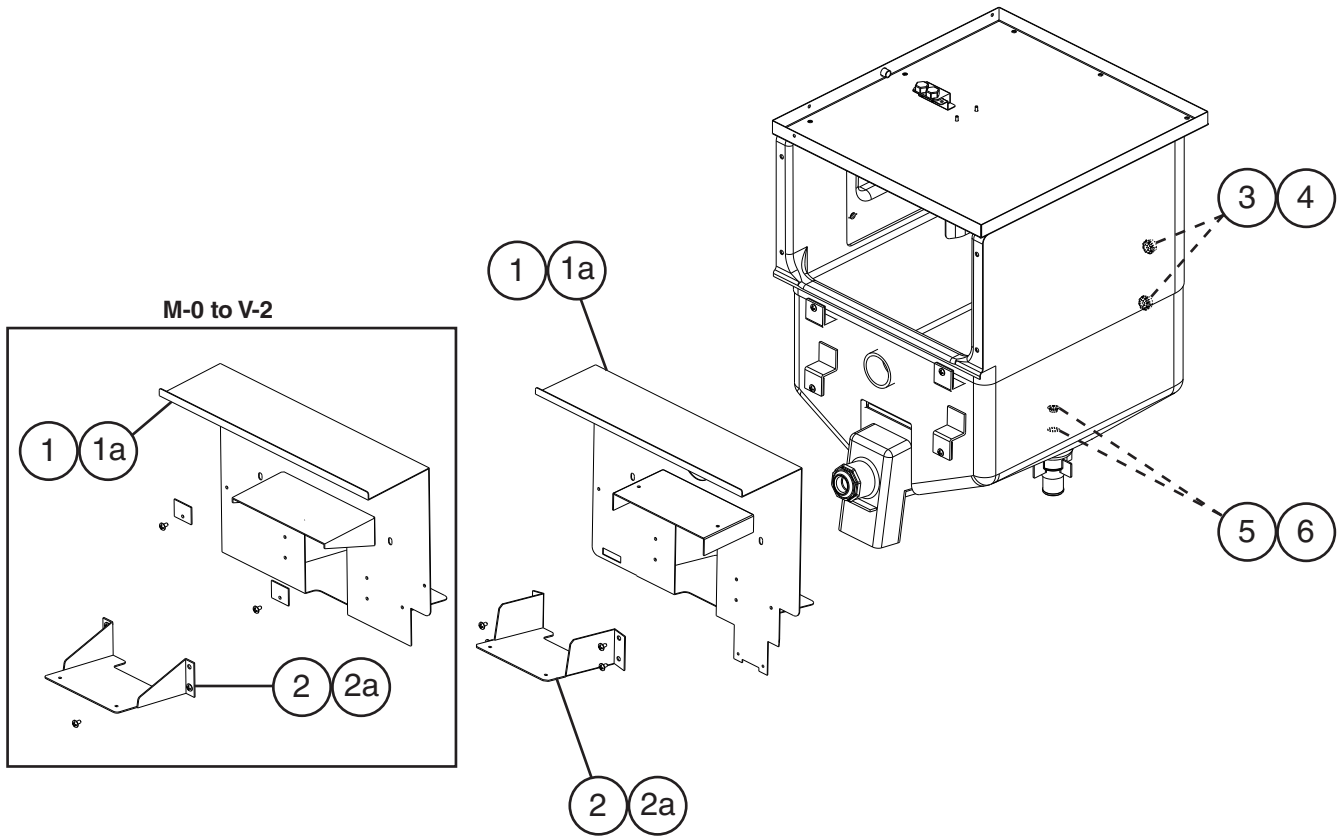
| Title: J. Gear Motor Assembly (Agitator) Model: DCM-500B_H-OS |                         |                          |             |            | Required Number |  |  |  |  |  |  |  |
|---|-------------------------|--------------------------|-------------|------------|-----------------|--|--|--|--|--|--|--|
| Index No.   | Description             | Material or Model Number | Part Number | M-0 to K-2 |                 |  |  |  |  |  |  |  |
| 1   | Gear Motor              |                          | 3A6786-01   | 1          |                 |  |  |  |  |  |  |  |
| 1a  | Flat Head Screw         | 4x8, SS                  | 7C22-0408   | 4          |                 |  |  |  |  |  |  |  |
| 2   | Joint                   |                          | 429764-01   | 1          |                 |  |  |  |  |  |  |  |
| 3   | Gear Motor Bracket (B1) |                          | 4A0618-01   | 1          |                 |  |  |  |  |  |  |  |
| 4   | Plastic Sleeve (A)      |                          | 429761-01   | 1          |                 |  |  |  |  |  |  |  |
| 4a  | Flat Head Screw         | 4x8, SS                  | 7C22-0408   | 3          |                 |  |  |  |  |  |  |  |

**K. Gear Motor Assembly (Dispense)**  
**DCM-500B\_H-OS**  
M-0 to K-2



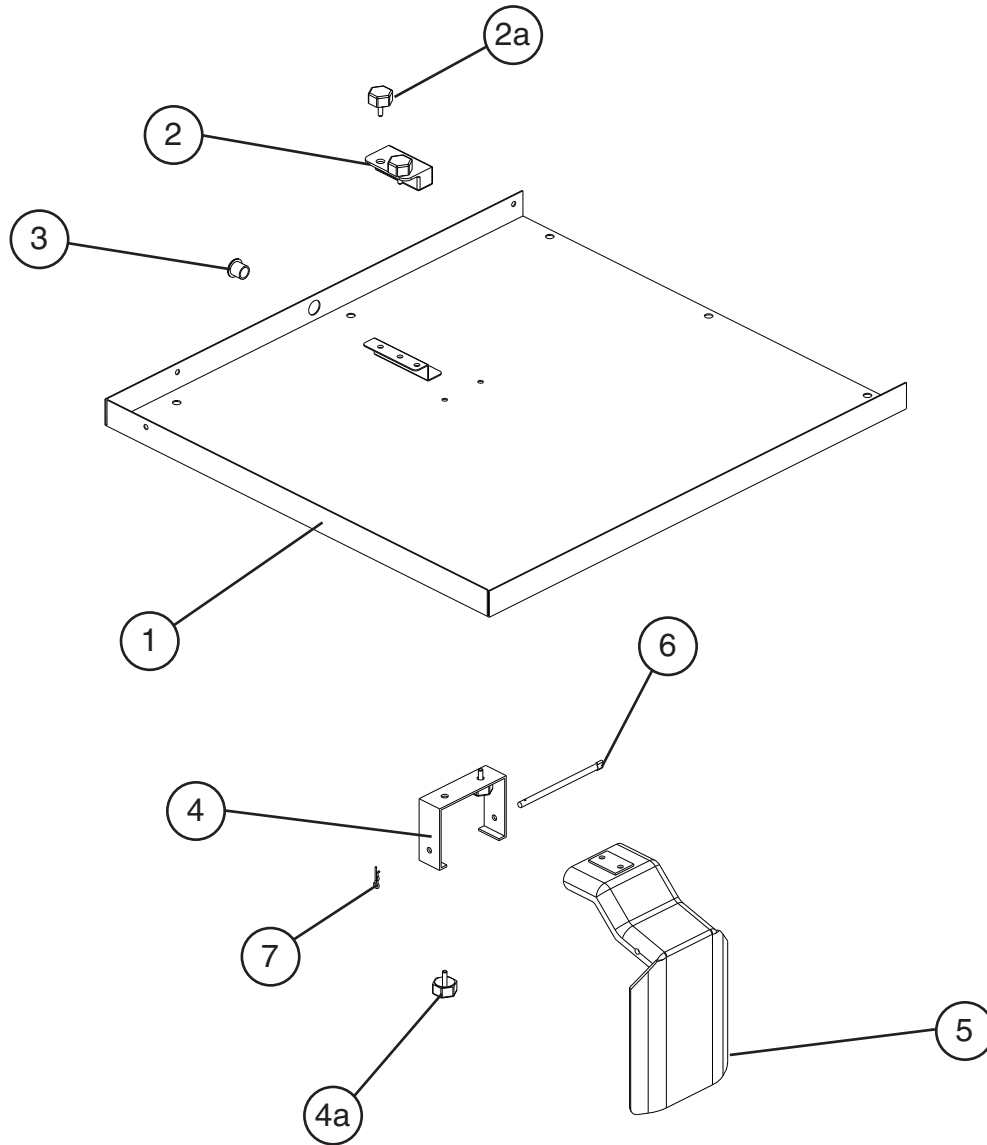
| Title: K. Gear Motor Assembly (Dispense) Model: DCM-500B_H-OS |                         |                          |             |            |                 |  |  |  |  |  |
|---|-------------------------|--------------------------|-------------|------------|-----------------|--|--|--|--|--|
| Index No.   | Description             | Material or Model Number | Part Number | M-0 to K-2 | Required Number |  |  |  |  |  |
|   |                         |                          |             |            |                 |  |  |  |  |  |
| 1   | Gear Motor              |                          | 3A6786-02   | 1          |                 |  |  |  |  |  |
| 1a  | Flat Head Screw         | 4x8, SS                  | 7C22-0408   | 4          |                 |  |  |  |  |  |
| 2   | Joint                   |                          | 429764-01   | 1          |                 |  |  |  |  |  |
| 3   | Gear Motor Bracket (A3) |                          | 3A0361-01   | 1          |                 |  |  |  |  |  |
| 4   | Plastic Sleeve (A)      |                          | 429761-01   | 1          |                 |  |  |  |  |  |
| 4a  | Flat Head Screw         | 4x8, SS                  | 7C22-0408   | 3          |                 |  |  |  |  |  |

**L. Bin Assembly**  
**DCM-500B\_H-OS**  
M-0 to K-2



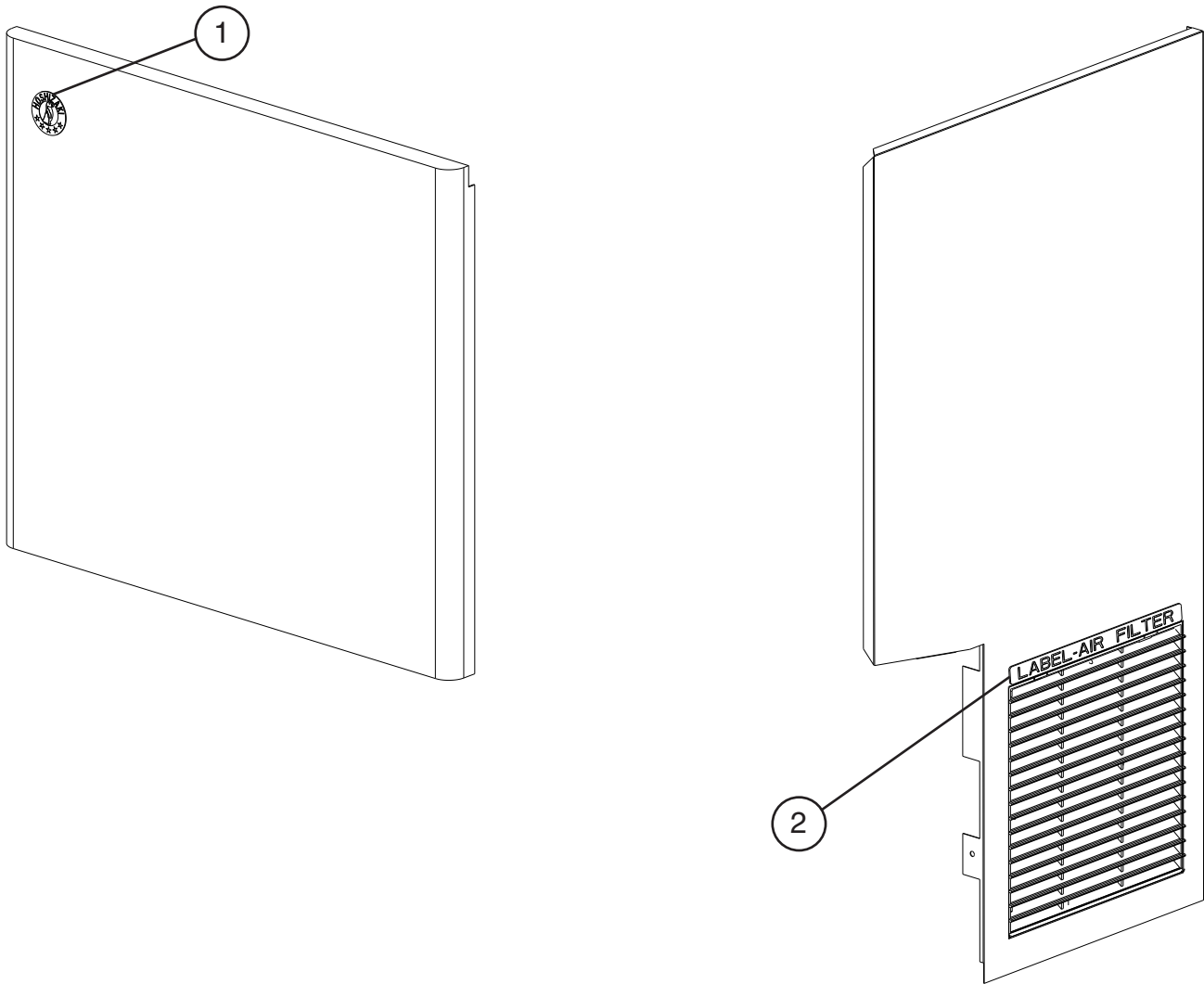
| Title: L. Bin Assembly |                    | Model: DCM-500B_H-OS     |             | Required Number |            |            |   |  |  |  |  |
|------------------------|--------------------|--------------------------|-------------|-----------------|------------|------------|---|--|--|--|--|
| Index No.              | Description        | Material or Model Number | Part Number | M-0 to V-2      | V-3 to D-0 | E-0 to K-2 |   |  |  |  |  |
| 1                      | Barrier            |                          | 2A2008G01   | 1               | -          |            |   |  |  |  |  |
|                        |                    |                          | 2A5487G01   |                 | 1          | -          |   |  |  |  |  |
|                        |                    |                          | 2A7679G01   |                 |            |            | 1 |  |  |  |  |
| 1a                     | Truss Head Screw   | 4x8 SS                   | 7C32-0408   | 3               | 3          | 3          |   |  |  |  |  |
| 2                      | Sliding Bracket    |                          | 3A0364-01   | 1               | 1          | 1          |   |  |  |  |  |
| 2a                     | Truss Head Screw   | 4x8, SS                  | 7C32-0408   | 4               | 4          | 4          |   |  |  |  |  |
| 3                      | Shaft Holder (C)   |                          | 429818-01   | 2               | 2          | 2          |   |  |  |  |  |
| 4                      | O-Ring             |                          | 7616-P032   | 2               | 2          | 2          |   |  |  |  |  |
| 5                      | Drain Cap          |                          | 418294-01   | 1               | 1          | 1          |   |  |  |  |  |
| 6                      | Rubber Packing (B) |                          | 413857-02   | 1               | 1          | 1          |   |  |  |  |  |

**M. Bin Top Assembly**  
**DCM-500B\_H-OS**  
M-0 to K-2



| Title: M. Bin Top Assembly Model: DCM-500B_H-OS |                  |                          |             |                 |  |  |  |  |  |  |
|---|------------------|--------------------------|-------------|-----------------|--|--|--|--|--|--|
| Index No.                                       | Description      | Material or Model Number | Part Number | Required Number |  |  |  |  |  |  |
|   |                  |                          |             | M-0 to K-2      |  |  |  |  |  |  |
| 1   | Bin Top Cover    |                          | 2A1716G01   | 1               |  |  |  |  |  |  |
| 2   | Proximity Switch |                          | 4A2033-01   | 1               |  |  |  |  |  |  |
| 2a  | Thumbscrew       |                          | 415949G08   | 2               |  |  |  |  |  |  |
| 3   | Bushing          |                          | 420470-07   | 1               |  |  |  |  |  |  |
| 4   | Hinge            |                          | 3A0762-01   | 1               |  |  |  |  |  |  |
| 4a  | Thumbscrew       |                          | 415949G08   | 2               |  |  |  |  |  |  |
| 5   | Actuator         |                          | 208795G01   | 1               |  |  |  |  |  |  |
| 6   | Shaft            |                          | 412337-03   | 1               |  |  |  |  |  |  |
| 7   | Snap Pin         |                          | 715S-0004   | 1               |  |  |  |  |  |  |

**N. Accessories & Labels**  
**DCM-500B\_H-OS**  
 M-0 to K-2



| Title: N. Accessories & Labels    Model: DCM-500B_H-OS |                    |                          |             |                 |  |  |  |  |  |  |  |
|--|--------------------|--------------------------|-------------|-----------------|--|--|--|--|--|--|--|
| Index No.  | Description        | Material or Model Number | Part Number | Required Number |  |  |  |  |  |  |  |
|  |                    |                          |             | M-0 to K-2      |  |  |  |  |  |  |  |
| 1  | Label Penguin-HA-R |                          | 475552L02   | 1               |  |  |  |  |  |  |  |
| 2  | Label-Air Filter   | <b>DCM-500BAH-OS</b>     | 426177-01   | 1               |  |  |  |  |  |  |  |