



# F-1501M\_J(Z)(-C)


## Modular Ice Machine Slim-Line Series



F-1501M\_J(Z)(-C)  
08/03/23  
Item # 13339

Item #: \_\_\_\_\_  
 Project: \_\_\_\_\_  
 Qty: \_\_\_\_\_  
 AIA#: \_\_\_\_\_

### Features

- ▶ Durable stainless steel exterior
- ▶ Advanced CleanCycle24™ design 
- ▶ Stainless steel auger with greaseless bearing

- Flaker - Up to 1705 lbs. of ice production per 24 hours
- Cubelet - Up to 1376 lbs. of ice production per 24 hours
- Mount two units, side-by-side, in only 60" of floor space for double the amount of ice production
- 2 second flush cycle every hour
- Flush cycle removes sediment for cleaner ice
- Infrared bin control for easy cleaning and reliability
- R-404A Refrigerant

#### Available on Bins:

B-250SF B-700SF B-900SF B-1300SS B-1650SS  
 B-500SF B-800SF B-1150SS B-1500SS

Top kit may be required. See Bin Spec Sheets.

#### Warranty:

3 Year Parts & Labor on entire machine. 5 Year Parts on Compressor; air-cooled condenser coil. Valid in United States, Canada, Puerto Rico and U.S. Territories. Contact factory for warranty in other countries.

**W x D x H**  
30" x 27<sup>3/8</sup>" x 34<sup>5/8</sup>"

Shipping Dimensions  
34<sup>3/4</sup>" x 32" x 40"

**F-1501MAJ**  
Air-Cooled Flaker  
Shown on optional bin B-900

**F-1501MWJ**  
Water-Cooled Flaker

**F-1501MRJZ**  
Remote Air-Cooled Flaker

**F-1501MAJ-C**  
Air-Cooled Cubelet

**F-1501MWJ-C**  
Water-Cooled Cubelet

**F-1501MRJZ-C**  
Remote Air-Cooled Cubelet



Condenser	Model	ICE PRODUCTION		WATER USAGE			ELECTRICAL				Heat Rejection BTU/hr.	Refrigerant Charge Amount	Net / Ship Weight (lbs.)
		Air / Water Temp Lbs. per 24 hours 70°/ 50°F	90°/ 70°F	Potable Gal. per 100 lbs. 90°/ 70°F	Condenser Gal. per 100 lbs. 90°/ 70°F	kWh Used per 100 lbs. 90°/ 70°F	Min. Circuit/Max. Fuse Size	Amperage	Voltage	Circuit Wires (including ground)			
Air	F-1501MAJ	1543	1154	12.0	N/A	4.00	20A	15.9A	208-230/60/1	4	12,300	2 lbs. 5 oz.	300 / 325
Water	F-1501MWJ	1624	1410	12.0	105	3.20	20A	15.4A	208-230/60/1	4	12,900	1 lb. 4.5 oz.	300 / 350
Remote	F-1501MRJZ	1532	1181	12.0	N/A	4.00	20A	15.3A	208-230/60/1	4	13,800	5 lb. 2.5 oz. 9 lbs. 9 oz. †	300 / 325
Air	F-1501MAJ-C	1327	1020	12.0	N/A	4.61	20A	15.9A	208-230/60/1	4	12,300	2 lbs. 5 oz.	300 / 325
Water	F-1501MWJ-C	1376	1218	12.0	123	3.76	20A	15.4A	208-230/60/1	4	12,800	1 lb. 4.5 oz.	300 / 330
Remote	F-1501MRJZ-C	1353	1054	12.0	N/A	4.50	20A	15.3A	208-230/60/1	4	13,800	5 lb. 2.5 oz. 9 lbs. 9 oz. †	300 / 325

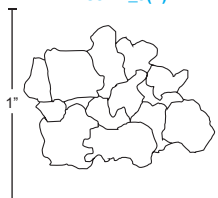
†(with condenser)

Ice machines must be hard-wired at site.

### Cube Dimensions\*

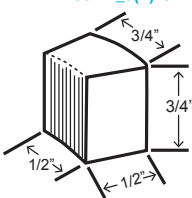
#### Flaked

F-1501M\_J(Z)



#### Cubelet

F-1501M\_J(Z)-C



\* approximate size in inches, image not to scale

### Operating Limits

- Ambient Temp Range 45 - 100°F
- Water Temp Range 45 - 90°F
- Water Pressure 10 - 113 PSIG
- Voltage Range 187-253V
- If GFCI is required, a GFCI breaker MUST be used in lieu of GFCI receptacle

### Service

- Panels easily removed and all components accessible for service.
- Removable/cleanable air filter (Air-cooled model only)
- Allow 6" (15 cm) clearance at rear and sides, and 24" (61 cm) clearance at top for proper air circulation and ease of maintenance/service.

### Plumbing

- Icemaker Water Supply Line: Minimum 1/4" Nominal ID Copper Water Tubing or Equivalent
- Icemaker Drain Line: Minimum 3/4" Nominal ID Hard Pipe or Equivalent
- Water-Cooled Model (Lines Must Be Independent of Icemaker)
- Condenser Water Supply Line: Minimum 1/4" Nominal ID Copper Water Tubing or Equivalent
- Condenser Drain/Return Line: Minimum 1/4" Nominal ID Hard Pipe (open drain system) or Copper Water Tubing (closed loop system) or Equivalent

Hoshizaki reserves the right to change specifications without notice.

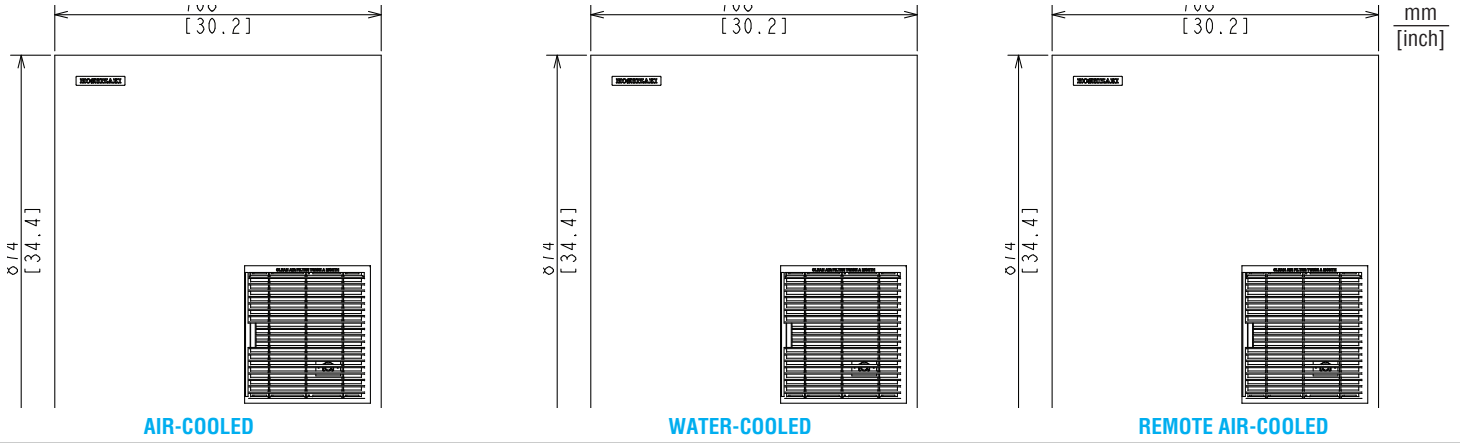


# F-1501M\_J(Z)(-C)

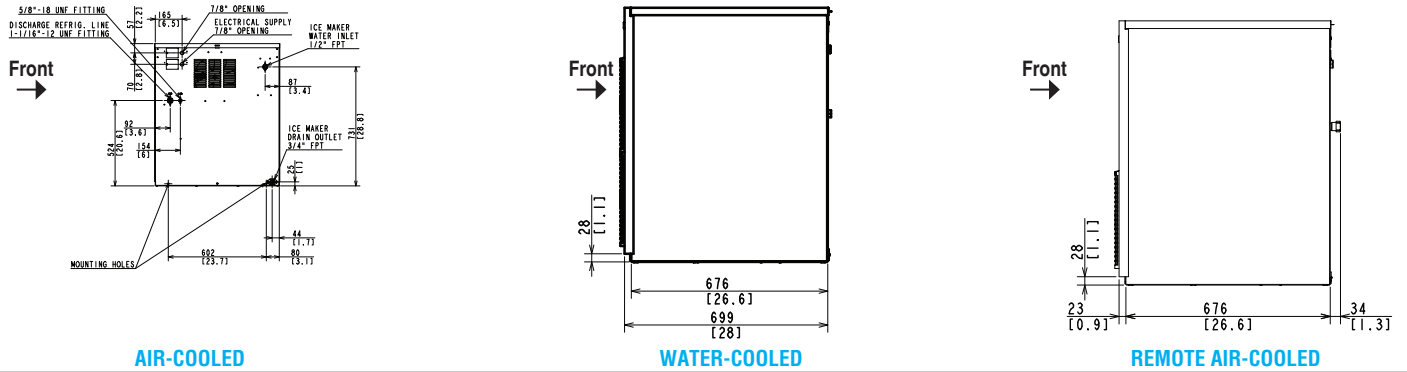
Modular Ice Machine  
Slim-Line Series

F-1501M\_J(Z)(-C)  
08/03/23  
Item # 13339

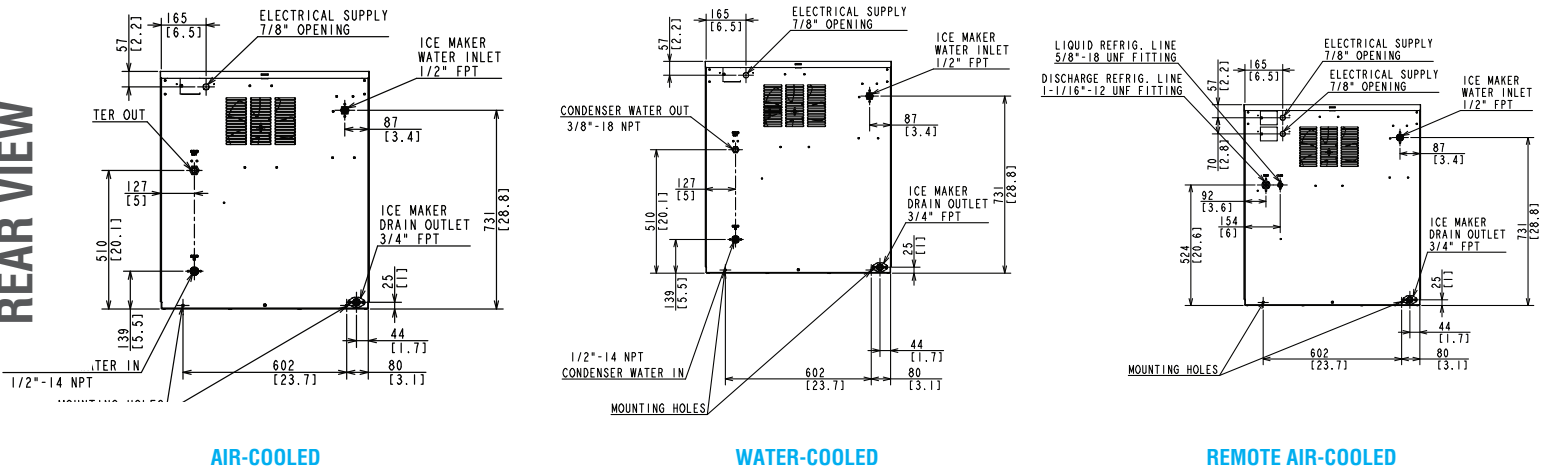
FRONT VIEW



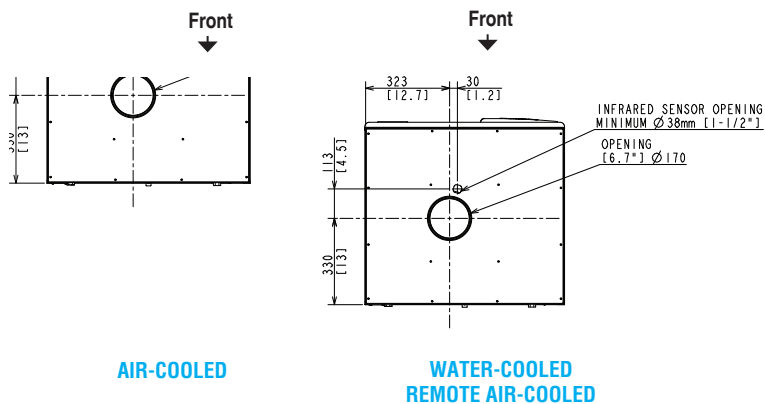
SIDE VIEW



REAR VIEW



BOTTOM VIEW



**URC-14FZ Remote Condenser (Sold Separately)**  
(W x D x H) 35<sup>11/16</sup> x 14<sup>1/16</sup> x 36<sup>1/2</sup>  
For Use with F-1501MRJZ(-C)

**Brazed Line Sets (Sold Separately)**  
25' HS-5604  
35' HS-5605  
55' HS-5606

Voltage supply for the URC Remote Condenser is supplied from the Ice Maker. No additional circuit is required.

