



# F-330BAJ(-C)

**SELF-CONTAINED ICE MACHINE  
BUILT-IN STORAGE BIN**



F-330BAJ(-C)  
02/05/20  
Item # 13200

Item #: \_\_\_\_\_  
Project: \_\_\_\_\_  
Qty: \_\_\_\_\_  
AIA#: \_\_\_\_\_

**W x D x H**  
**24" x 26" x 39"\***  
\*with 6" legs

Shipping Dimensions  
33" x 25<sup>1/4</sup>" x 38<sup>1/2</sup>"



**F-330BAJ**  
Air-Cooled

**F-330BAJ-C**  
Air-Cooled



## Features

- ▶ **Front breathing allows for easier fit into tight spaces**
- ▶ **Durable stainless steel exterior**
- ▶ **Stainless steel auger with greaseless bearing**

- F-330BAJ - Up to 332 lbs. of ice production per 24 hrs.
- F-330BAJ-C - Up to 288 lbs. of ice production per 24 hrs.
- Built-in storage capacity of 2.7ft<sup>3</sup>/80 lbs.\*
- Advanced CleanCycle24™ design 
- 2 second flush cycle every hour
- Convenient drop down door
- Protected by H-GUARD Plus® Antimicrobial Agent 
- Front access for easier maintenance
- Removable air filters
- Equipped with 8 ft. cord with NEMA 5-15P Plug
- R-404A Refrigerant

### Warranty:

3 Year Parts & Labor on entire machine. 5 Year Parts on Compressor; air-cooled condenser coil. Valid in United States, Canada, Puerto Rico and U.S. Territories. Contact factory for warranty in other countries.

\*Rated in accordance with AHRI Standard 820(I-P). Capacity based on 100% of total volume x 30 lb/ft<sup>3</sup> average density of ice.

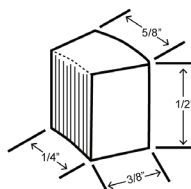
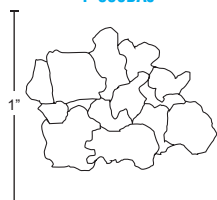


Condenser	Model	ICE PRODUCTION		WATER USAGE		ELECTRICAL						
		Air / Water Temp Lbs. per 24 hours 70°/50°F 90°/70°F		Potable Gal. per 100 lbs. 90°/70°F	Condenser Gal. per 100 lbs. 90°/70°F	kWh Used per 100 lbs. 90°/70°F	Max. Fuse Sz or HACR Circuit Bkr	Amperage	Voltage	Heat Rejection BTU/hr.	Refrigerant Charge Amount	Net / Ship Weight (lbs.)
Air	F-330BAJ (Flaker)	332	243	12.0	N/A	5.91	15A	6.9A	115V/60/1	3,400	7.1 oz	147 / 178
Air	F-330BAJ-C (Cubelet)	288	214	12.0	N/A	7.30	15A	7.1A	115V/60/1	3,400	7.1 oz	148 / 178

### Cube Dimensions\*

**Flaked**  
F-330BAJ

**Cubelet**  
F-330BAJ-C



\* approximate size in inches, image not to scale

### Operating Limits

- Ambient Temp Range 45 - 100°F
- Water Temp Range 45 - 90°F
- Water Pressure 10 - 113 PSIG
- Voltage Range 104-127V

### Service

- Panels easily removed and all components accessible for service.
- Removable/cleanable air filter (Air-cooled model only)
- Allow 24" (61 cm) clearance at top for removal of auger.
- Appliance should not be located next to high heat producing equipment.

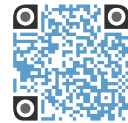
### Plumbing

- Icemaker Water Supply Line: Minimum 1/4" Nominal ID Copper Water Tubing or Equivalent
- Icemaker Drain Line: Minimum 3/4" Nominal ID Hard Pipe or Equivalent



# F-330BAJ(-C)

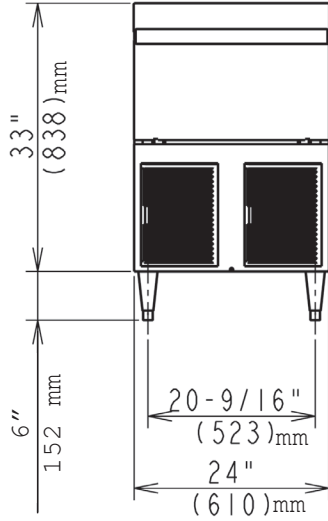
**SELF-CONTAINED ICE MACHINE  
BUILT-IN STORAGE BIN**



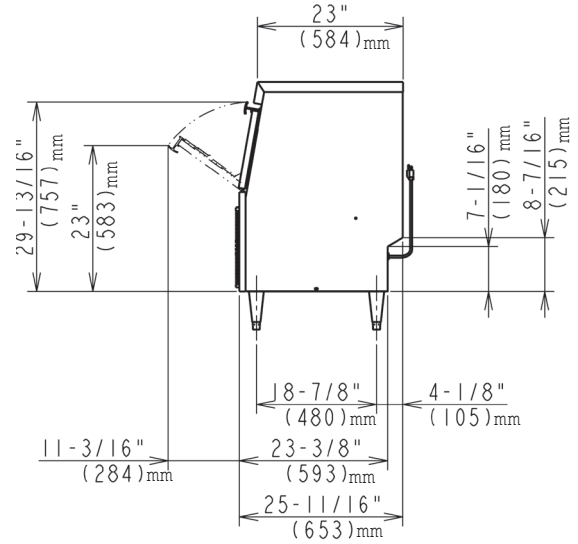
F-330BAJ(-C)  
02/05/20  
Item # 13200

inch  
(mm)

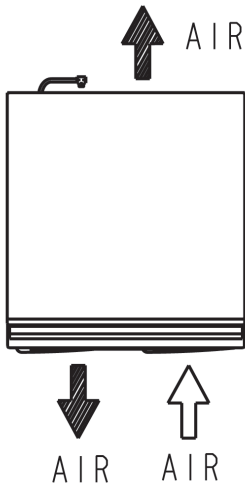
**FRONT VIEW**  
AIR-COOLED



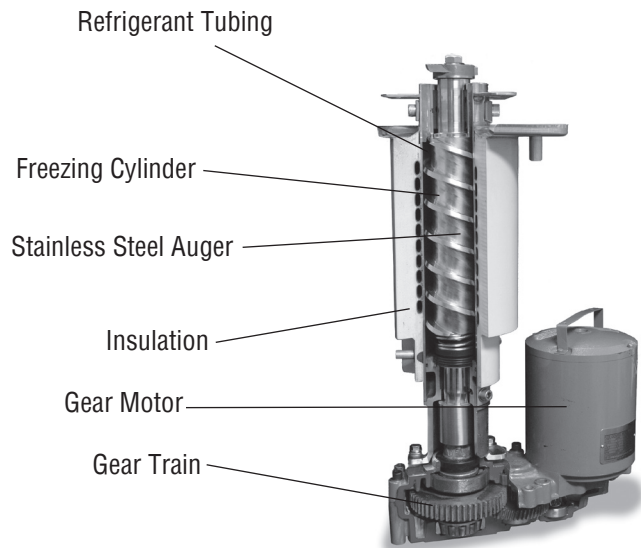
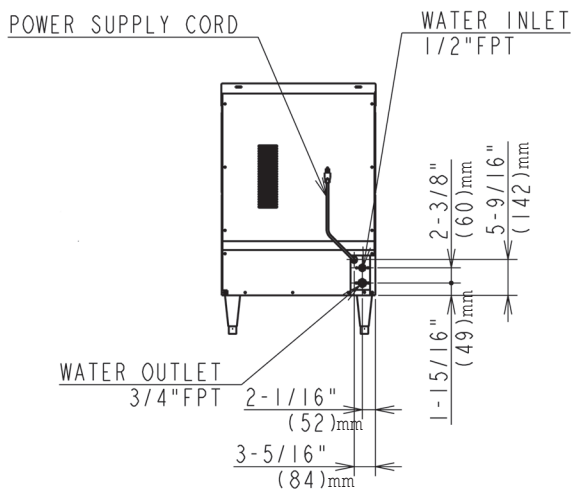
**SIDE VIEW**



**TOP VIEW**  
AIR-COOLED



**REAR VIEW**  
AIR-COOLED



**EVAPORATOR**