



HOSHIZAKI

Parts List

Low-Profile Modular Crescent Cuber

Models

KML-325MAJ, MWJ

KML-500MAJ, MWJ

KML-700MAJ, MWJ, MRJ



hoshizakiamerica.com

Number: 71440
Issued: 5-25-2021
Revised: 2-9-2022

CONTENTS

Auxiliary Codes.....	3
Note About Ordering Parts	4
A. Main Assembly & Refrigeration Circuit	5
KML-325MAJ, KML-500MAJ	5
KML-700MAJ.....	7
KML-325MWJ, KML-500MWJ	9
KML-700MWJ.....	11
KML-700MRJ.....	13
B. Water Circuit	15
C. Control Box Assembly	18
D. Accessories & Labels	21

Auxiliary Codes

KML-325MAJ

F-0 December 2016
G-0 March 2017
G-1 September 2017
H-0 January 2018
J-0 January 2019
J-1 April 2019
J-2 December 2019
K-0 January 2020
K-1 September 2020
L-0 January 2021
L-1 May 2021

KML-325MWJ

F-0 December 2016
G-0 March 2017
G-1 September 2017
H-0 February 2018
J-0 January 2019
J-1 April 2019
J-2 December 2019
K-0 January 2020
K-1 September 2020
L-0 January 2020
L-1 May 2021

KML-500MAJ

F-0 October 2016
G-0 February 2017
G-1 September 2017
H-0 January 2018
J-0 January 2019
J-1 April 2019
J-2 December 2019
K-0 January 2020
K-1 September 2020
L-0 January 2021
L-1 May 2021

KML-500MWJ

F-0 October 2016
G-0 February 2017
G-1 September 2017
H-0 January 2018
J-0 January 2019
J-1 May 2019
J-2 December 2019
K-0 January 2020
K-1 October 2020
L-0 January 2021
L-1 May 2021

KML-700MAJ

F-0 September 2016
G-0 March 2017
G-1 September 2017
H-0 January 2018
J-0 January 2019
J-1 December 2019
K-0 January 2020
K-1 June 2020
L-0 January 2020
L-1 May 2021

KML-700MWJ

F-0 September 2016
G-0 March 2017
G-1 September 2017
H-0 January 2018
J-0 February 2019
J-1 December 2019
K-0 January 2020
K-1 July 2020
L-0 January 2021
L-1 May 2021

KML-700MRJ

F-0 September 2016
G-0 March 2017
G-1 September 2017
H-0 May 2018
J-0 January 2019
K-0 January 2020
K-1 June 2020
L-0 January 2021
L-1 May 2021

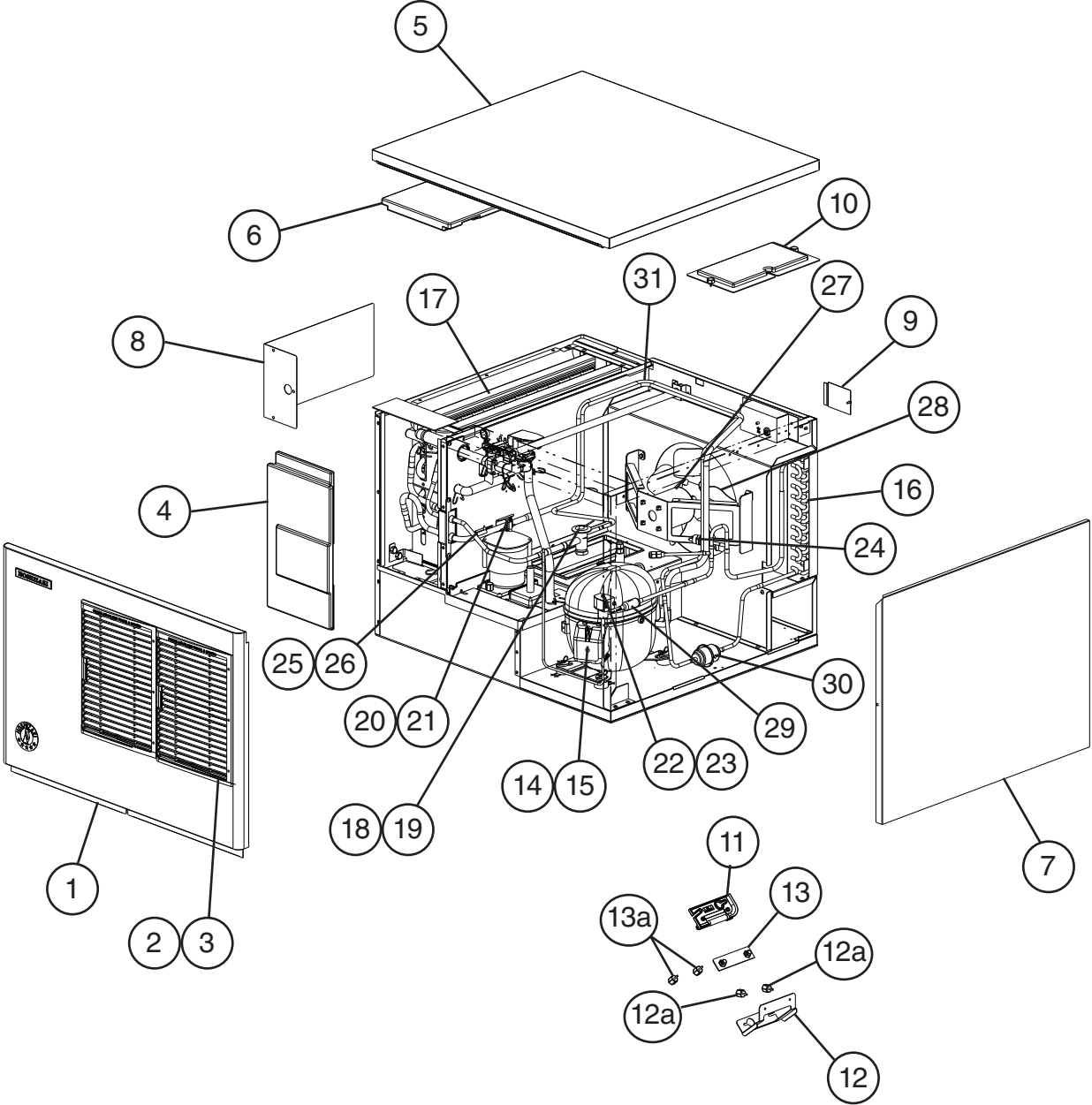
Auxiliary Code Breakdown

The auxiliary code is the first two characters in the serial number. The first character indicates the year. Years progress or regress in alphabetical order. The series runs from "A" through "V" and the letters "I" and "O" are skipped. The second character indicates significant part changes within a year. Base is "0" and this number advances for each change. In cases where there is a letter in parentheses, this designates the month. This is the last character in the serial number. The series runs from "(A)" through "(M)" and the letter "(I)" is skipped. This designation is only included when identifying a parts change within an auxiliary code.

Note About Ordering Parts

Most assemblies cannot be ordered as complete units; parts in the assemblies generally must be ordered separately.

A. Main Assembly & Refrigeration Circuit
KML-325MAJ, KML-500MAJ
F-0 to L-1

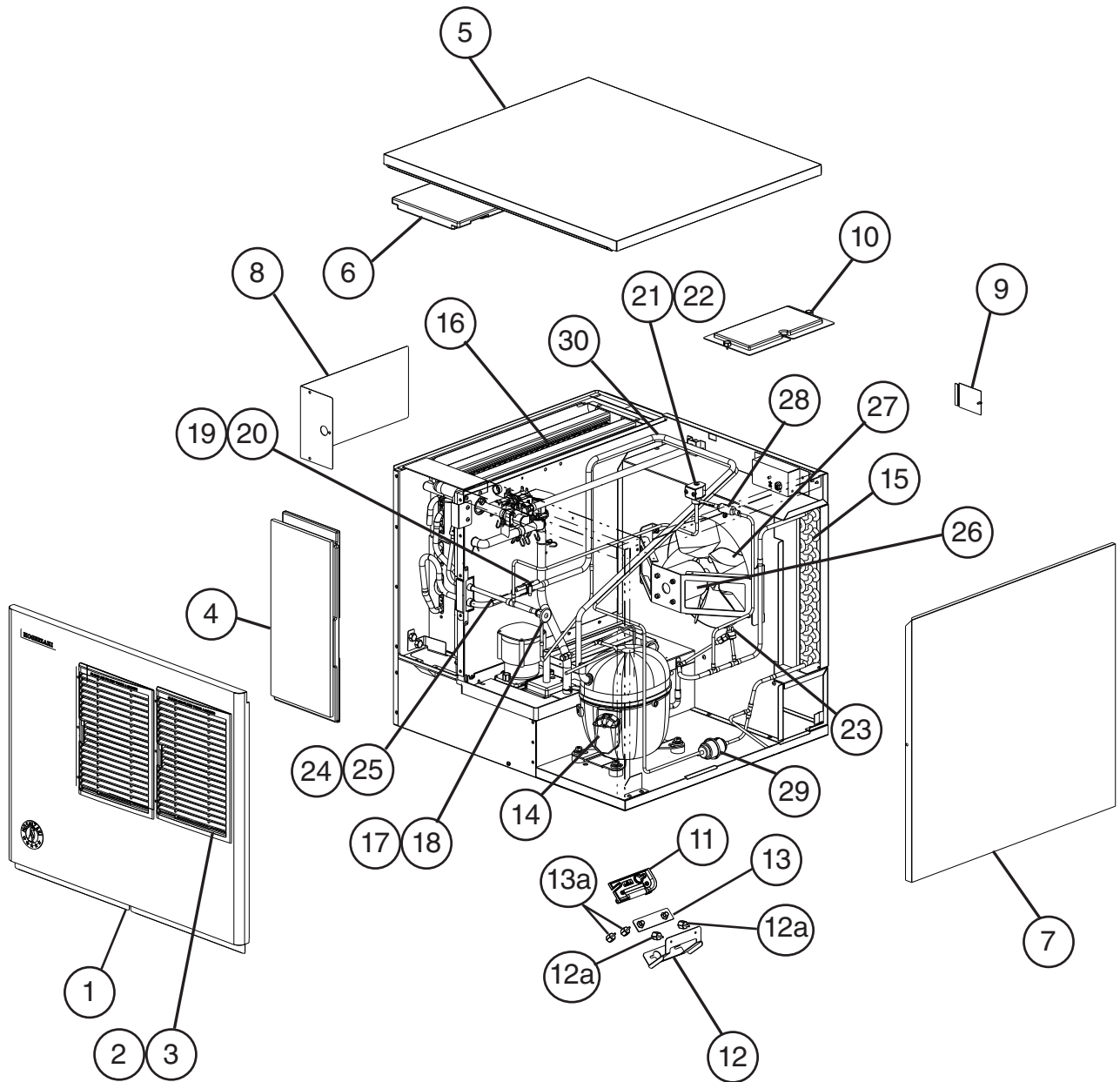


Title: A. Main Assembly & Refrigeration Circuit Model: KML-325MAJ, KML-500MAJ												
Index No.	Description	Material or Model Number	Part Number	Required Number								
				F-0 to K-1	L-0	L-1(E) to L-1(J)	L-1(K)					
Main Assembly												
1	Front Panel Assembly	KML-325MAJ	3A1859A01	1	1	1	-					
			1A6386A01				1					
		KML-500MAJ	3A1859A01	1	1	1	-					
			1A6386A01				1					
2	Louver		1A0548-01	2	2	2	2					
3	Air Filter		2A2063G01	2	2	2	2					
4	Front Insulation		2A0664G01	1	1	1	1					
5	Top Panel		3A1862A01	1	1	1	1					
6	Top Insulation		215730G01	1	1	1	1					
7	Right Side Panel		2A2111G01	1	1	1	1					
8	Control Box Cover		3A9007-01	1	1	-						
9	Junction Box Cover		433410-01	1	1	1	1					
10	Bin Control Cover		3A0664G01	1	1	1	1					
11	Bin Control Bulb Holder		3A3903-01	1	1	1	1					
12	Bin Control Thermostat Extension Bracket		4A4358-01	1	1	1	1					
12a	Thumbscrew		415949G10	2	2	2	2					
13	NSF Plate		4A4401G01	1	1	1	1					
13a	Thumbscrew		415949G10	2	2	2	2					
Refrigeration Circuit												
14	Compressor	KML-325MAJ	4A5090-01	1	1	1	1					
		KML-500MAJ	4A4479-01	1	1	1	1					
15	External Protector	KML-325MAJ	4A5120-01	1	1	1	1					
		KML-500MAJ	4A4481-01	1	1	1	1					
16	Condenser		2A0640-01	1	1	1	1					
17	Evaporator	SP-5370	2A8120G01	1	1	1	1					
18	Thermostatic Expansion Valve	KML-325MAJ	4A3493-01	1	-							
			4A1684-02		1	1	1					
		KML-500MAJ	4A3493-01	1	-							
			4A4008-02		1	1	1					
19	Thermostatic Expansion Valve Cover		4A1168-01	1	-							
			3A0944-01		1	1	1					
20	Thermostatic Expansion Valve Bulb Holder		3A0112-01	1	-							
			3A0107-01		1	1	1					
21	Clamp		443461-02	1	1	1	1					
22	Hot Gas Valve Body		4A3978-01	1	1	1	1					
23	Valve Coil		4A3277-01	1	1	1	1					
24	High-Pressure Switch		463180-04	1	1	1	1					
25	Thermistor		429006-03	1	1	1	1					
26	Thermistor Holder		427430-01	1	1	1	1					
27	Fan Motor		4A3158-01	1	1	1	1					
28	Fan Blade		4A4014-01	1	1	1	1					
29	Strainer		441569-02	1	1	1	1					
30	Drier		4A1113-01	1	1	1	1					
31	Heat Exchanger		2A8140G01	1	-							
			2A9566G01		1	1	1					

A. Main Assembly & Refrigeration Circuit

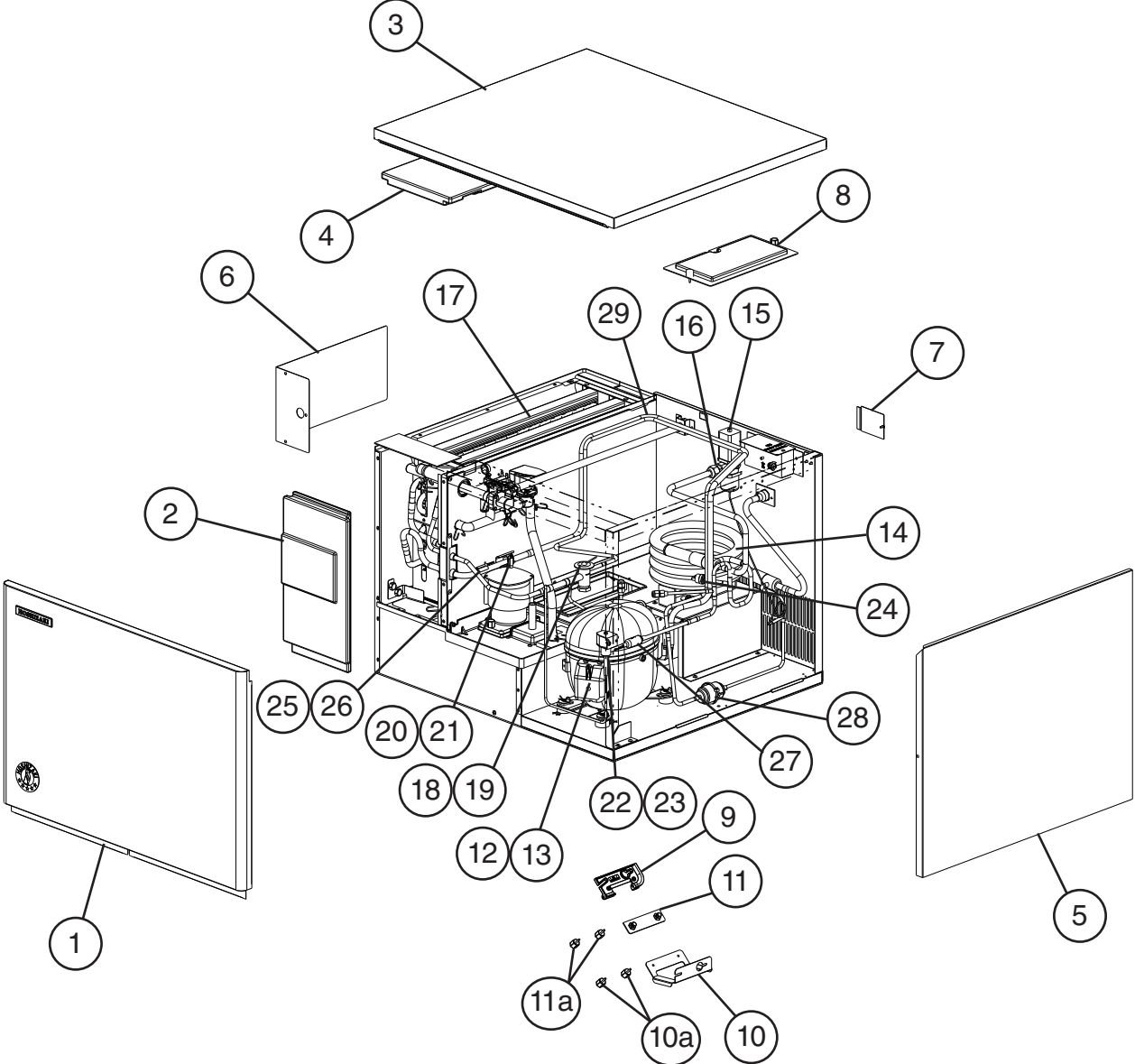
KML-700MAJ

F-0 to L-1



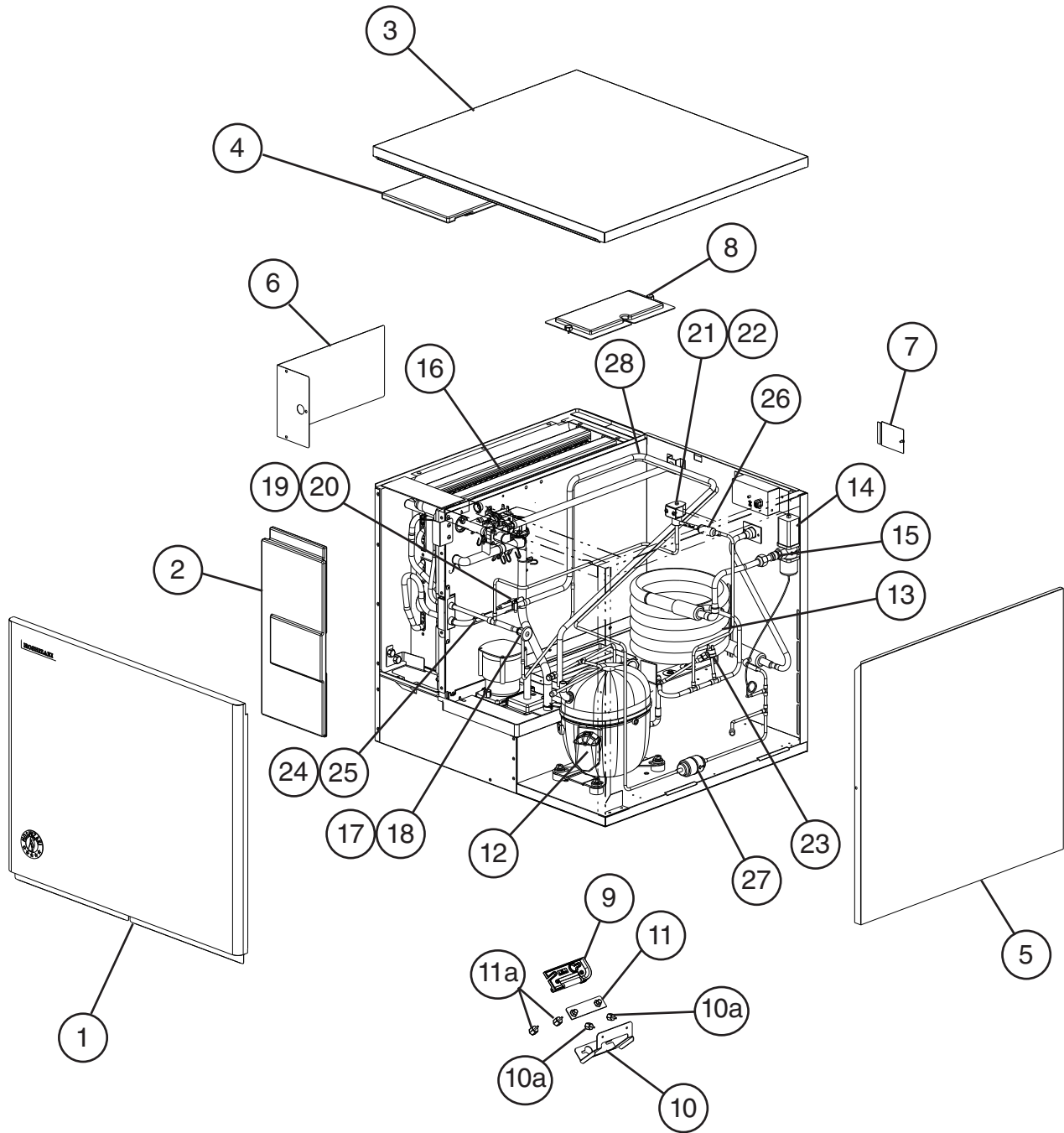
Title: A. Main Assembly & Refrigeration Circuit Model: KML-700MAJ												
Index No.	Description	Material or Model Number	Part Number	Required Number								
				F-0 to L-0	L-1(E) to L-1(J)	L-1(K)						
Main Assembly												
1	Front Panel Assembly		3A4001A01	1	1	-						
			1A6400A01			1						
2	Louver		1A0548-01	2	2	2						
3	Air Filter		2A2063G01	2	2	2						
4	Front Insulation		2A0664G02	1	1	1						
5	Top Panel		3A1862A01	1	1	1						
6	Top Insulation		215730G01	1	1	1						
7	Right Side Panel		2A2114G01	1	1	1						
8	Control Box Cover		3A9007-01	1	-							
9	Junction Box Cover		433410-01	1	1	1						
10	Bin Control Cover		3A0664G01	1	1	1						
11	Bin Control Bulb Holder		3A3903-01	1	1	1						
12	Bin Control Thermostat Extension Bracket		4A4358-01	1	1	1						
12a	Thumbscrew		415949G10	2	2	2						
13	NSF Plate		4A4401G01	1	1	1						
13a	Thumbscrew		415949G10	2	2	2						
Refrigeration Circuit												
14	Compressor		4A5669-01	1	1	1						
15	Condenser		1A1245-01	1	1	1						
16	Evaporator		1A3956G01	1	1	1						
17	Thermostatic Expansion Valve		4A1482-01	1	1	1						
18	Thermostatic Expansion Valve Cover		3A0944-01	1	1	1						
19	Thermostatic Expansion Valve Bulb Holder		3A0107-01	1	1	1						
20	Clamp		443461-02	1	1	1						
21	Hot Gas Valve Body		4A3978-01	1	1	1						
22	Valve Coil		4A3277-01	1	1	1						
23	High-Pressure Switch		463180-04	1	1	1						
24	Thermistor		429006-03	1	1	1						
25	Thermistor Holder		427430-01	1	1	1						
26	Fan Motor		4A3158-01	1	1	1						
27	Fan Blade		4A3959-01	1	1	1						
28	Strainer		441569-02	1	1	1						
29	Drier		4A1113-01	1	1	1						
30	Heat Exchanger		1A2973G01	1	1	1						

A. Main Assembly & Refrigeration Circuit
KML-325MWJ, KML-500MWJ
F-0 to L-1



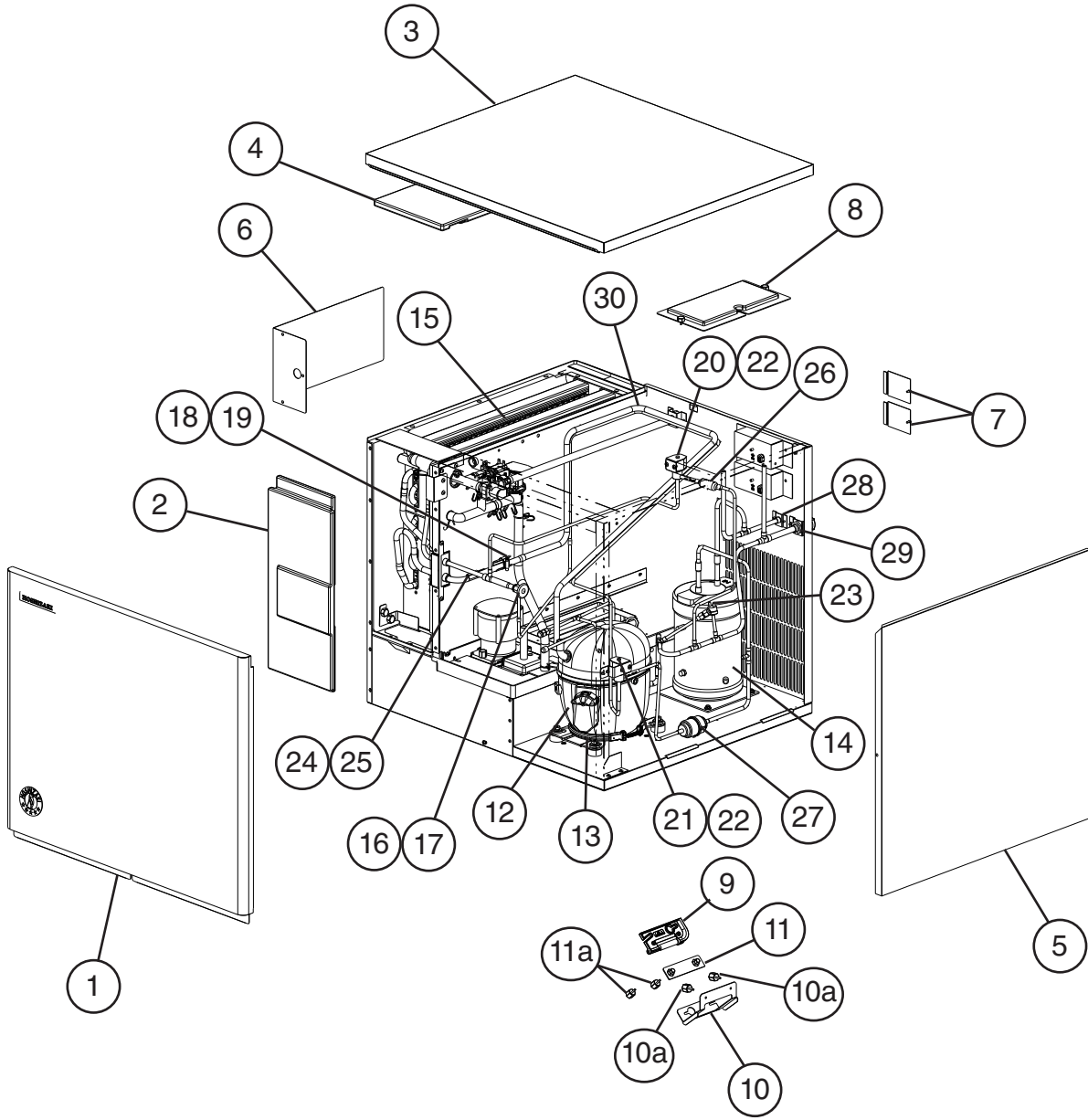
Title: A. Main Assembly & Refrigeration Circuit Model: KML-325MWJ, KML-500MWJ												
Index No.	Description	Material or Model Number	Part Number	Required Number								
				F-0 to K-0(G)	K-0(H) K-1	L-0	L-1					
Main Assembly												
1	Front Panel		3A1859A02	1	1	1	-					
			1A6385A01				1					
2	Front Insulation		2A0664G01	1	1	1	1					
3	Top Panel		3A1862A01	1	1	1	1					
4	Top Insulation		215730G01	1	1	1	1					
5	Right Side Panel		2A2111G01	1	1	1	1					
6	Control Box Cover		3A9007-01	1	1	1	-					
7	Junction Box Cover		433410-01	1	1	1	1					
8	Bin Control Cover		3A0664G01	1	1	1	1					
9	Bin Control Bulb Holder		3A3903-01	1	1	1	1					
10	Bin Control Thermostat Extension Bracket		4A4358-01	1	1	1	1					
10a	Thumbscrew		415949G10	2	2	2	2					
11	NSF Plate		4A4401G01	1	1	1	1					
11a	Thumbscrew		415949G10	2	2	2	2					
Refrigeration Circuit												
12	Compressor	KML-325MWJ	4A5090-01	1	1	1	1					
		KML-500MWJ	4A4376-01	1	-							
			4A4376-02		1	1	1					
13	External Protector	KML-325MWJ	4A5120-01	1	1	1	1					
		KML-500MWJ	4A4481-01	1	-							
14	Condenser		3A7321-01	1	1	1	1					
15	Water Regulating Valve		4A0911-06	1	1	1	1					
16	Male Connector		4A1087-01	1	1	1	1					
17	Evaporator		2A8120G01	1	1	1	1					
18	Thermostatic Expansion Valve	KML-325MWJ	4A3493-01	1	1	-						
			4A1684-02			1	1					
		KML-500MWJ	4A3493-01	1	1	-						
			4A4008-02			1						
19	Thermostatic Expansion Valve Cover		4A1168-01	1	1	-						
			3A0944-01			1	1					
20	Thermostatic Expansion Valve Bulb Holder		3A0112-01	1	1	-						
			3A0107-01			1	1					
21	Clamp		443461-02	1	1	1	1					
22	Hot Gas Valve Body		4A3978-01	1	1	1	1					
23	Valve Coil		4A3277-01	1	1	1	1					
24	High-Pressure Switch		463180-05	1	1	1	1					
25	Thermistor		429006-03	1	1	1	1					
26	Thermistor Holder		427430-01	1	1	1	1					
27	Strainer		441569-02	1	1	1	1					
28	Drier		4A1113-01	1	1	1	1					
29	Heat Exchanger		2A8140G01	1	1	-						
			2A9566G01			1	1					

A. Main Assembly & Refrigeration Circuit
KML-700MWJ
 F-0 to L-1



Title: A. Main Assembly & Refrigeration Circuit Model: KML-700MWJ												
Index No.	Description	Material or Model Number	Part Number	Required Number								
				F-0 to L-0	L-1(E) to L-1(J)	L-1(K)						
Main Assembly												
1	Front Panel		3A4001A02	1	1	-						
			1A6399A01		1	1						
2	Front Insulation		2A0664G02	1	1	1						
3	Top Panel		3A1862A01	1	1	1						
4	Top Insulation		215730G01	1	1	1						
5	Right Side Panel		2A2114G01	1	1	1						
6	Control Box Cover		3A9007-01	1	-							
7	Junction Box Cover		433410-01	1	1	1						
8	Bin Control Cover		3A0664G01	1	1	1						
9	Bin Control Bulb Holder		3A3903-01	1	1	1						
10	Bin Control Thermostat Extension Bracket		4A4358-01	1	1	1						
10a	Thumbscrew		415949G10	2	2	2						
11	NSF Plate		4A4401G01	1	1	1						
11a	Thumbscrew		415949G10	2	2	2						
Refrigeration Circuit												
12	Compressor		4A5669-01	1	1	1						
13	Condenser		3A7323-01	1	1	1						
14	Water Regulating Valve		4A0911-07	1	1	1						
15	Male Connector		4A1087-01	1	1	1						
16	Evaporator		1A3956G01	1	1	1						
17	Thermostatic Expansion Valve		4A1482-01	1	1	1						
18	Thermostatic Expansion Valve Cover		3A0944-01	1	1	1						
19	Thermostatic Expansion Valve Bulb Holder		3A0107-01	1	1	1						
20	Clamp		443461-02	1	1	1						
21	Hot Gas Valve Body		4A3978-01	1	1	1						
22	Valve Coil		4A3277-01	1	1	1						
23	High-Pressure Switch		463180-05	1	1	1						
24	Thermistor		429006-03	1	1	1						
25	Thermistor Holder		427430-01	1	1	1						
26	Strainer		441569-02	1	1	1						
27	Drier		4A1113-01	1	1	1						
28	Heat Exchanger		1A2973G01	1	1	1						

A. Main Assembly & Refrigeration Circuit
KML-700MRJ
F-0 to L-1

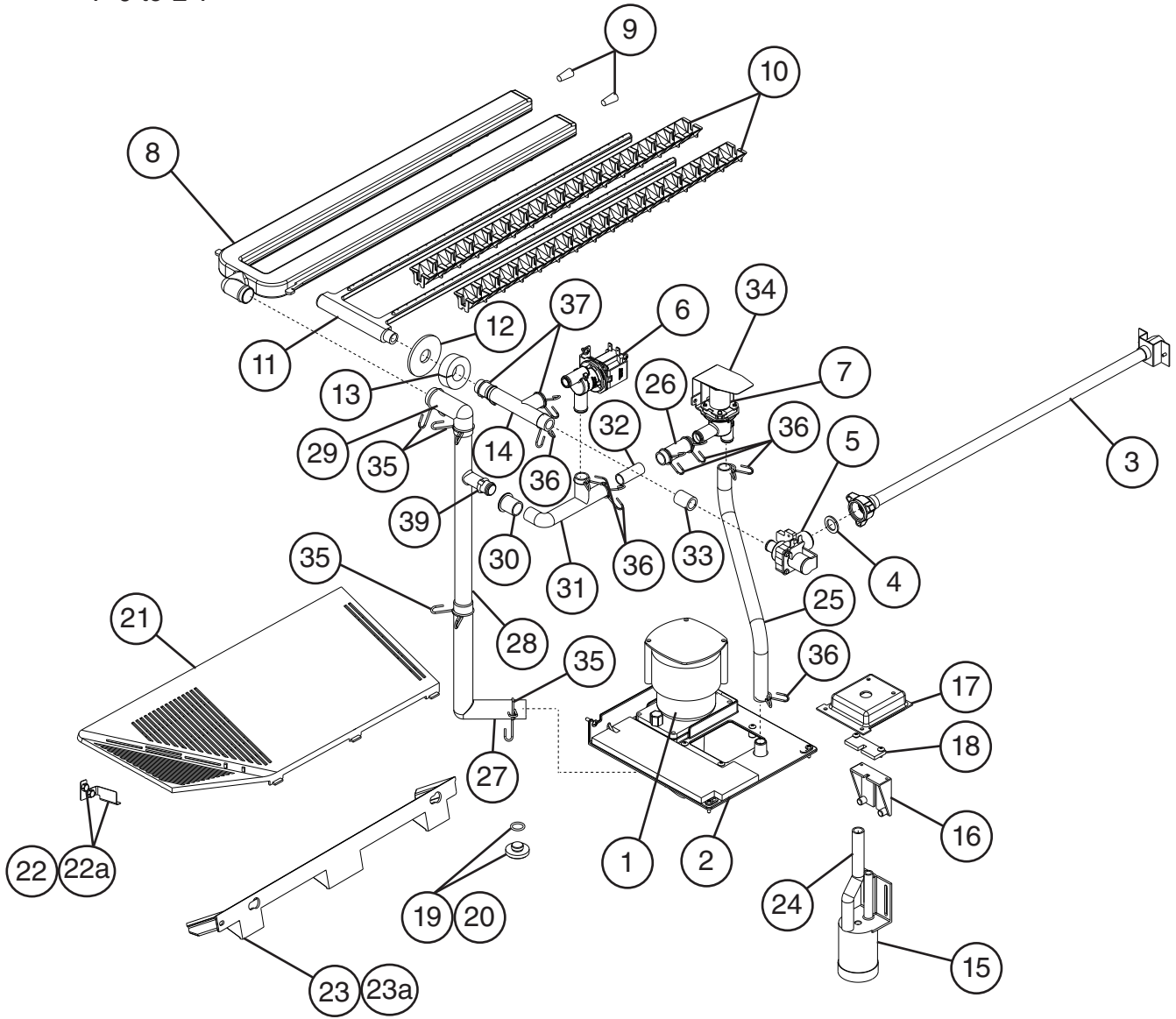


Title: A. Main Assembly & Refrigeration Circuit Model: KML-700MRJ												
Index No.	Description	Material or Model Number	Part Number	Required Number								
				F-0 to L-0	L-1(E) to L-1(J)	L-1(K)						
Main Assembly												
1	Front Panel		3A4001A02	1	1	-						
			1A6399A01		1	1						
2	Front Insulation		2A0664G02	1	1	1						
3	Top Panel		3A1862A01	1	1	1						
4	Top Insulation		215730G01	1	1	1						
5	Right Side Panel		2A2114G01	1	1	1						
6	Control Box Cover		3A9007-01	1	-							
7	Junction Box Cover		433410-01	2	2	2						
8	Bin Control Cover		3A0664G01	1	1	1						
9	Bin Control Bulb Holder		3A3903-01	1	1	1						
10	Bin Control Thermostat Extension Bracket		4A4358-01	1	1	1						
10a	Thumbscrew		415949G10	2	2	2						
11	NSF Plate		4A4401G01	1	1	1						
11a	Thumbscrew		415949G10	2	2	2						
Refrigeration Circuit												
12	Compressor		4A5669-01	1	1	1						
13	Crankcase Heater		4A5091-01	1	1	1						
14	Receiver		4A6213-01	1	1	1						
15	Evaporator		1A3956G01	1	1	1						
16	Thermostatic Expansion Valve		4A1482-01	1	1	1						
17	Thermostatic Expansion Valve Cover		3A0944-01	1	1	1						
18	Thermostatic Expansion Valve Bulb Holder		3A0107-01	1	1	1						
19	Clamp		443461-02	1	1	1						
20	Hot Gas Valve Body		4A3978-01	1	1	1						
21	Liquid Line Valve Body		4A3276-01	1	1	1						
22	Valve Coil		4A3277-01	2	2	2						
23	High-Pressure Switch		463180-04	1	1	1						
24	Thermistor		429006-03	1	1	1						
25	Thermistor Holder		427430-01	1	1	1						
26	Strainer		441569-02	1	1	1						
27	Drier		4A1113-01	1	1	1						
28	Liquid Line Coupling		433751G01	1	1	1						
29	Discharge Line Coupling		434136G01	1	1	1						
30	Heat Exchanger		1A2973G02	1	1	1						

B. Water Circuit

KML-325M_J, KML-500M_J, KML-700M_J

F-0 to L-1

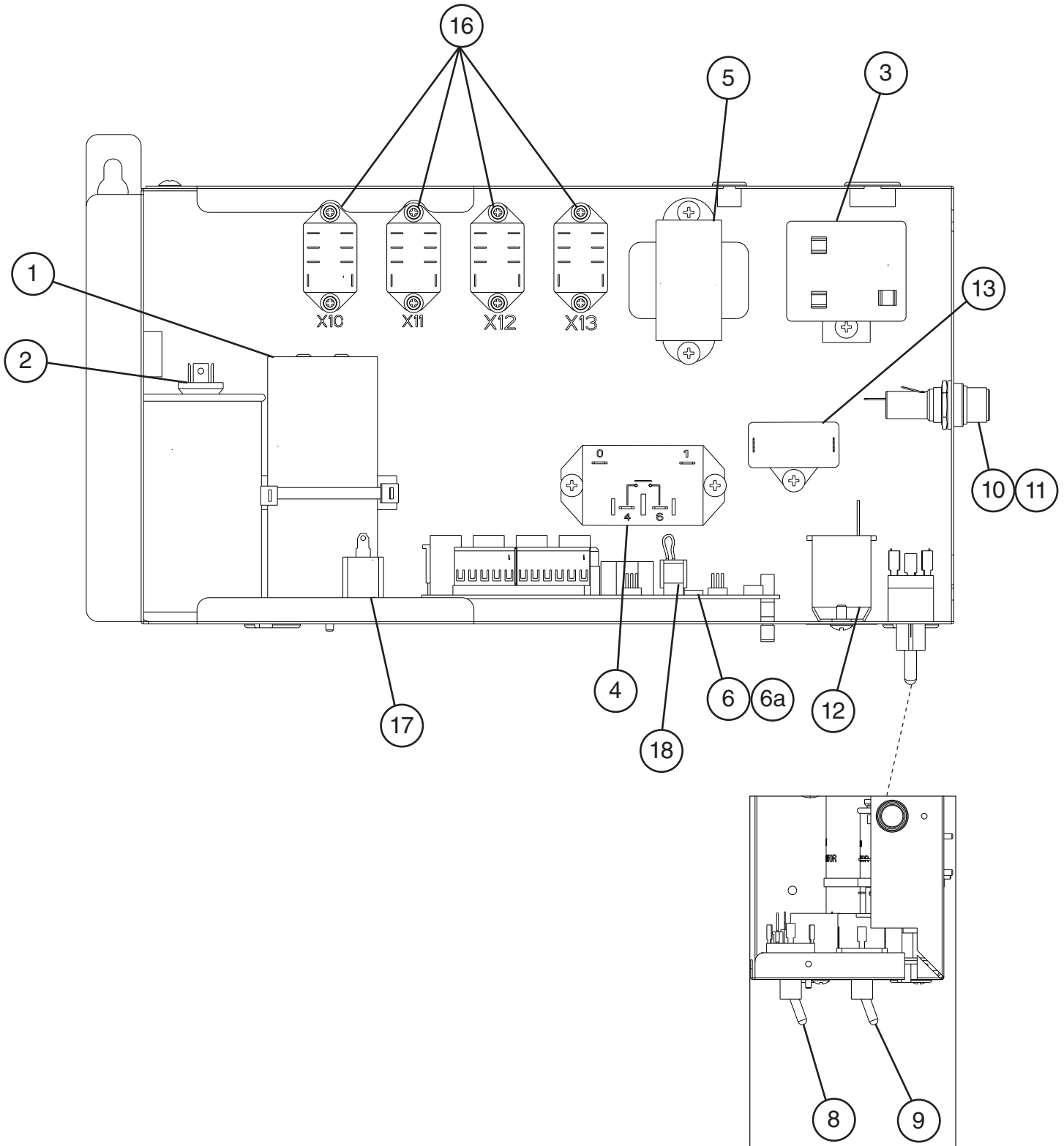


Model Shown: KML-325MAJ

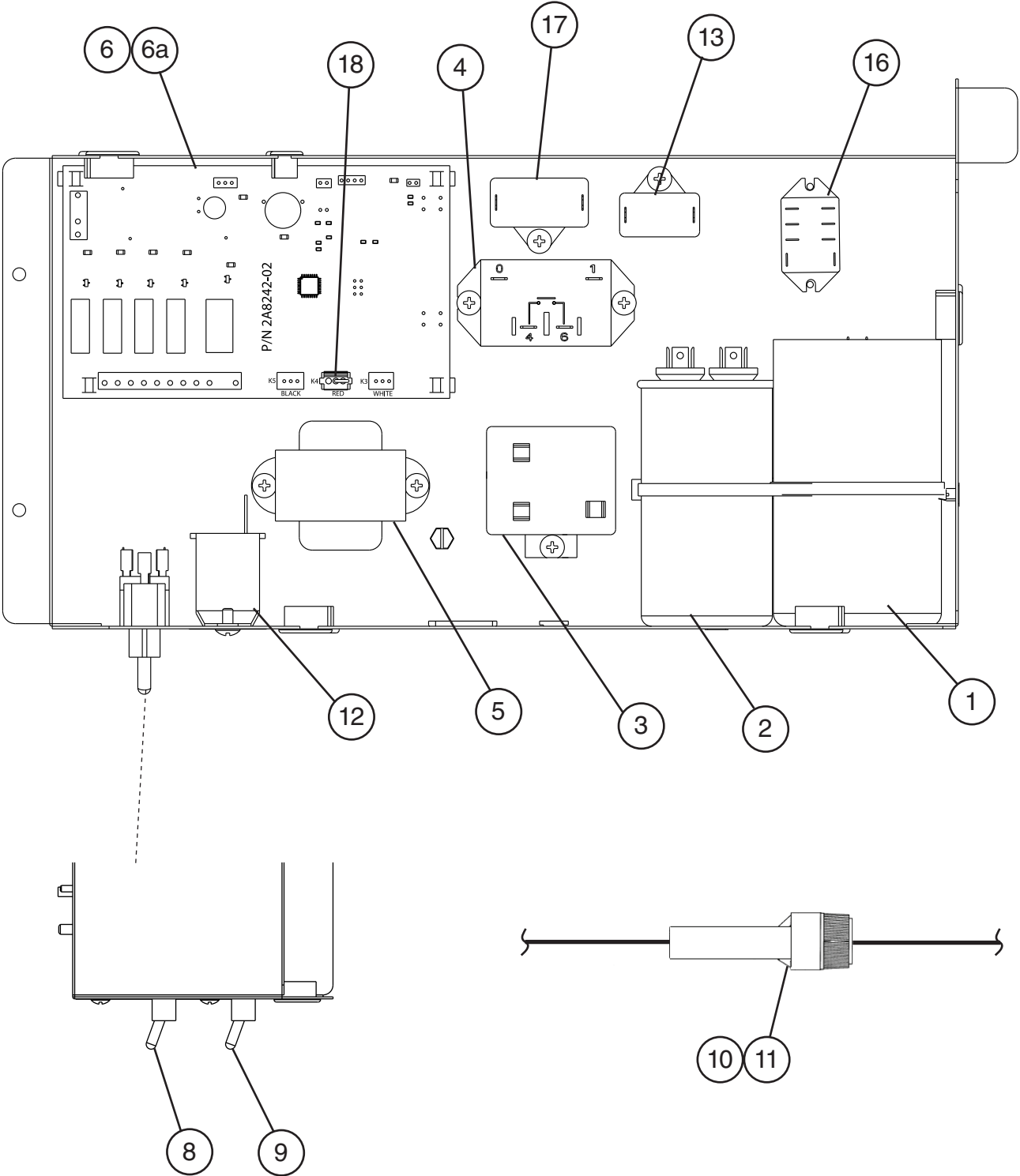
Title: B. Water Circuit Model: KML-325M_J, KML-500M_J, KML-700M_J											
Index No.	Description	Material or Model Number	Part Number	Required Number							
				F-0 to H-0(D)	H-0(E) to K-0	L-0 L-1					
1	Pump Motor		4A4259-01	1	1	1					
2	Pump Motor Bracket		2A4920G01	1	1	1					
3	Water Supply Pipe	KML-325M_J KML-500M_J	4A5216G04	1	1	1					
		KML-700M_J	4A0768G04	1	1	1					
4	Rubber Gasket		413854-03	1	1	1					
5	Inlet Water Valve	KML-325M_J KML-500M_J	4A5251-06	1	1	-					
			4A6722-05			1					
		KML-700M_J	3U0111-03	1	1	1					
6	Cleaning Valve		4A5745-01	1	1	1					
7	Drain Valve		4A5745-03	1	1	1					
8	Spray Tube		1A0260-02	1	1	1					
9	Plug		4A0176-01	2	2	2					
10	Spray Guide		2A4282-02	2	2	2					
11	Water Supply Tube		2A0079-01	1	1	1					
12	Flange		439267-01	1	1	1					
13	Insulation E		4A0392-01	1	1	1					
14	Water Supply Tee		4A1006-01	1	1	1					
15	Float Switch		4A3624-01	1	1	1					
16	Float Switch Bracket		327757-01	1	1	1					
17	Float Switch Cover		3A0665-01	1	1	1					
18	Float Switch Spacer	KML-325M_J KML-500M_J	4A0650-01	1	1	1					
19	Drain Plug		309246-01	1	1	1					
20	O-Ring		7611-P015	1	1	1					
21	Cube Guide		2A0660-01	1	1	1					
22	Cube Guide Bracket		2A8838-01		1	1					
22a	Thumbscrews		415949G08		2	2					
23	Cube Guide B	KML-325M_J KML-500M_J	3A9028-01	1	1	1					
23a	Collar		435269-01	2	2	2					
24	Vinyl Hose	L=150 mm	7716-1216	1	1	1					
25	Vinyl Hose	L=385 mm	7716-1519	1	1	1					
26	Vinyl Hose	L=55 mm	7716-1519	1	1	1					
27	Hose B		325867-01	1	1	1					
28	Connecting Pipe	KML-325M_J KML-500M_J	3A1335-01	1	1	1					
		KML-700M_J	3A1335-02	1	1	1					
29	Elbow		4A0393-01	1	1	1					
30	Rubber Ring		4A1004-01	1	1	1					
31	Bypass Hose		4A1005-01	1	1	1					
32	Joint Pipe		439329-01	1	1	1					
33	Silicone Hose (black)	KML-325M_J KML-500M_J	7730B3812			1					
34	Splash Shield		4A6883-01			1					

Title: B. Water Circuit Model: KML-325M_J, KML-500M_J, KML-700M_J												
Index No.	Description	Material or Model Number	Part Number	Required Number								
				F-0 to H-0(D)	H-0(E) to K-0	L-0 L-1						
Hose Clamps												
35	Hose Clamp (25 mm)	KML-325M_J	427443-03	4	4	4						
		KML-500M_J										
		KML-700M_J		2	2	2						
36	Hose Clamp (18 mm)	KML-325M_J	427443-05	7	7	7						
		KML-500M_J										
		KML-700M_J		8	8	8						
37	Hose Clamp (20 mm)	KML-325M_J	427443-06	2	2	2						
		KML-500M_J										
		KML-700M_J		1	1	1						
38	Hose Clamp	KML-700M_J	427443-08	2	2	2						
39	Hose Clamp		4A2017-05	1	1	1						

C. Control Box Assembly
KML-325M_J, KML-500M_J, KML-700M_J
1/2
 F-0 to L-0



C. Control Box Assembly
KML-325M_J, KML-500M_J, KML-700M_J
2/2
L-1

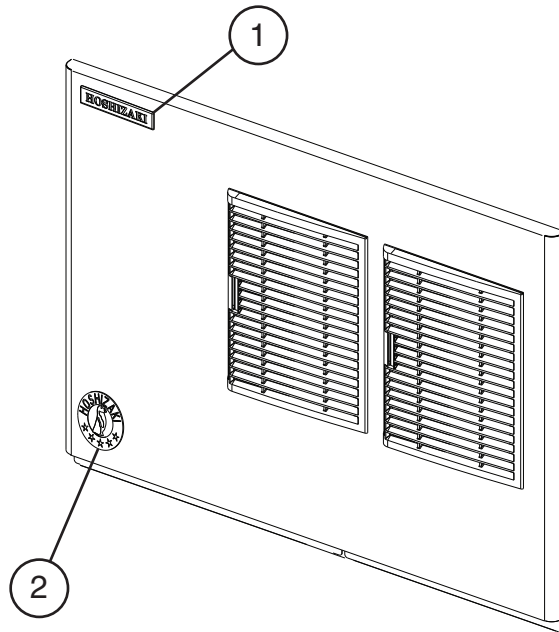


Title: C. Control Box Assembly Model: KML-325M_J, KML-500M_J, KML-700M_J											
Index No.	Description	Material or Model Number	Part Number	Required Number							
				F-0 to L-0	L-1						
1	Start Capacitor	KML-325M_J KML-500M_J 243-292MFD, 165VAC	3A0076-20	1	1						
		KML-700M_J 340-408MFD, 250VAC	3A0076-24								
2	Run Capacitor	KML-325M_J KML-500M_J 25MFD, 440VAC	3A2005-12	1	1						
		KML-700M_J	3A2005-13	1	1						
3	Start Relay	KML-325M_J	4A1107-18	1	1						
		KML-500M_J	4A1107-11	1	1						
		KML-700M_J	4A1107-22	1	1						
4	Compressor Relay		4A3140-01	1	1						
5	Control Transformer		3A0172-01	1	1						
6	Control Board		2A7664-04	1	-						
			2A8242-02		1						
6a	Control Board Support		4A0336-03	4	4						
7	Wire Harness A (not shown)		1A5825-01		1						
8	Control Switch		4A0985-01	1	1						
9	Service Switch		443119-01	1	-						
	Mode Switch		4A6232-01		1						
10	Fuse Holder		4A5443-01	1	-						
	In-Line Fuse Holder		4A6950-01		1						
11	Fuse	AGC-10A, 250VAC	4A0893-07	1	1						
12	Bin Control Thermostat		4A2879-01	1	1						
13	Fan Motor Capacitor	KML-325MAJ KML-500MAJ KML-700MAJ 5.0MFD, 250VAC	4A6435-02	1	1						
14	Wire Harness B (not shown)		1A5826-01		1						
15	Wire Harness C (not shown)	KML-700MRJ	1A5041-01		1						
16	Relay X10 - Pump Direction Relay X11 - X10 Control Relay X12 - Anti-Slush Relay X13 - Service Relay		406132-07	4	-						
	X10 - Crankcase Heater Relay	KML-700MRJ			1						
17	Pump Motor Capacitor	2.5MFD, 250VAC	4A2128-05	1	1						
18	Jumper Connector		4A4883G01	1	1						

D. Accessories & Labels

KML-325M_J, KML-500M_J, KML-700M_J

F-0 to L-1



Title: D. Accessories & Labels Model: KML-325M_J, KML-500M_J, KML-700M_J										
Index No.	Description	Material or Model Number	Part Number	F-0 to L-1	Required Number					
1	Hoshizaki Emblem		4A0560-01	1						
2	Penguin Label		475552L02	1						
3	Universal Brace		4A0363-01	2						
3a	Hex Head Bolt	5x12	7B02-0512	2						