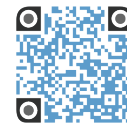




# F-1002M\_J(Z)(-C)

## Modular Ice Machine Slim-Line Series



F-1002M\_J(Z)(-C)  
07/02/24  
Item # 13108

Item #: \_\_\_\_\_  
Project: \_\_\_\_\_  
Qty: \_\_\_\_\_  
AIA#: \_\_\_\_\_

**W x D x H**  
22" x 27<sup>3/8</sup>" x 26"



**F-1002MAJ**  
Air-Cooled Flaker  
Shown on optional bin B-500

**F-1002MWJ**  
Water-Cooled Flaker


**F-1002MRJZ**  
Remote Air-Cooled Flaker

**F-1002MAJ-C**  
Air-Cooled Cubelet

**F-1002MWJ-C**  
Water-Cooled Cubelet

**F-1002MRJZ-C**  
Remote Air-Cooled Cubelet

## Features

- ▶ Durable stainless steel exterior
- ▶ Advanced CleanCycle24™ design 
- ▶ Stainless steel auger with greaseless bearing

- Flaker - Up to 980 lbs. of ice production per 24 hrs.
- Cubelet - Up to 890 lbs. of ice production per 24 hrs.
- Infrared bin control for easy cleaning and reliability
- 2 second flush cycle every hour
- Flush cycle removes sediment for cleaner ice
- Mount two units, side-by-side, in only 44" of floor space for double the amount of ice production
- R-404A Refrigerant

### Available on Bins:

**B-250SF B-500SF B-800SF B-1150SS B-1500SS\***  
**B-300SF B-700SF B-900SF B-1300SS B-1650SS\***  
*Top kit may be required; See Bin Spec Sheets. \*Two unit application only.*

### Warranty:

3 Year Parts & Labor on entire machine. 5 Year Parts on Compressor; air-cooled condenser coil. Valid in United States, Canada, Puerto Rico and U.S. Territories. Contact factory for warranty in other countries.

Shipping: (LxWxH) 32" x 26.5" X 32" Volume: 15.7ft<sup>3</sup>



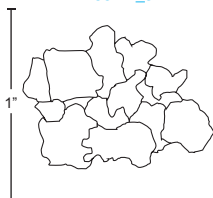
Condenser	Model	ICE PRODUCTION		WATER USAGE		ELECTRICAL							
		Air / Water Temp Lbs. per 24 hours 70°/50°F	90°/70°F	Potable Gal. per 100 lbs. 90°/70°F	Condenser Gal. per 100 lbs. 90°/70°F	kWh Used per 100 lbs. 90°/70°F	Min. Circuit/ Max. Fuse Size	Amperage	Voltage	Circuit Wires (including ground)	Heat Rejection BTU/hr.	Refrigerant Charge Amount	Net / Ship Weight (lbs.)
Air	F-1002MAJ	980	758	12.0	N/A	4.36	20A	15.2A	115V/60/1	3	8,500	2 lbs. 4.2 oz.	176 / 210
Water	F-1002MWJ	955	833	12.0	110	3.57	20A	13.7A	115V/60/1	3	8,200	12.3 oz.	176 / 205
Remote	F-1002MRJZ	907	722	12.0	N/A	4.51	20A	15.2A	115V/60/1	3	8,600	2 lb. 3.3 oz. 4 lbs. 1 oz.†	176 / 210
Air	F-1002MAJ-C	890	726	12.0	N/A	4.57	20A	15.2A	115V/60/1	3	8,700	2 lbs. 4 oz.	176 / 210
Water	F-1002MWJ-C	878	770	12.0	111.0	3.95	20A	13.7A	115V/60/1	3	8,200	12.3 oz.	176 / 205
Remote	F-1002MRJZ-C	821	680	12.0	N/A	4.94	20A	15.2A	115V/60/1	3	8,500	2 lb. 3.3 oz. 4 lbs. 1 oz.†	176 / 210

†(with condenser)

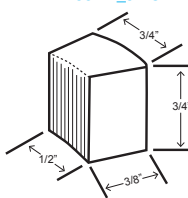
Power cord not included

### Cube Dimensions\*

**Flaked**  
F-1002M\_JZ



**Cubelet**  
F-1002M\_JZ-C



\* approximate size in inches, image not to scale

### Operating Limits

- Ambient Temp Range 45 - 100°F
- Water Temp Range 45 - 90°F
- Water Pressure 10 - 113 PSIG
- Voltage Range 104-127V
- If GFCI is required, a GFCI breaker MUST be used in lieu of GFCI receptacle

### Service

- Panels easily removed and all components accessible for service.
- Allow 24" (61 cm) clearance at top for removal of auger and 6" (15 cm) clearance at rear and sides for proper air circulation and ease of maintenance/service.

### Plumbing

- Icemaker Water Supply Line: Minimum 1/4" Nominal ID Copper Water Tubing or Equivalent
- Icemaker Drain Line: Minimum 3/4" Nominal ID Hard Pipe or Equivalent
- Water-Cooled Model (Lines Must Be Independent of Icemaker)
- Condenser Water Supply Line: Minimum 1/4" Nominal ID Copper Water Tubing or Equivalent
- Condenser Drain/Return Line: Minimum 1/4" Nominal ID Hard Pipe (open drain system) or Copper Water Tubing (closed loop system) or Equivalent

Hoshizaki reserves the right to change specifications without notice.

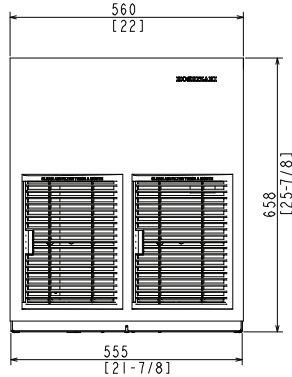


# F-1002M\_J(Z)(-C)

Modular Ice Machine  
Slim-Line Series

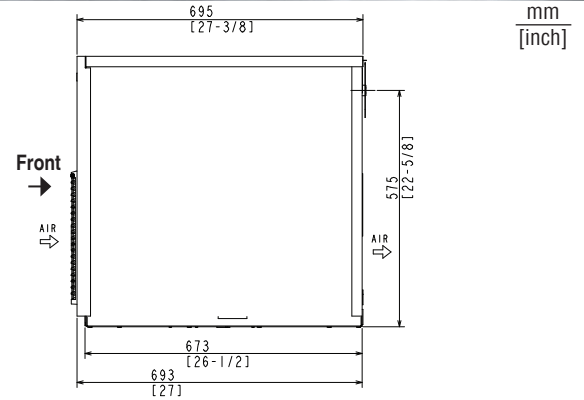
F-1002M\_J(Z)(-C)  
07/02/24  
Item # 13108

FRONT VIEW



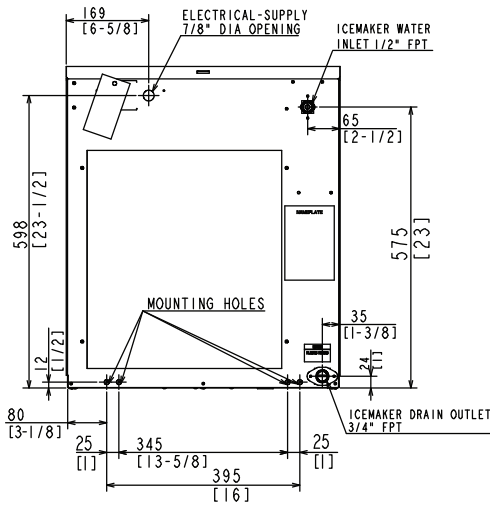
AIR-COOLED WATER-COOLED REMOTE AIR-COOLED

SIDE VIEW

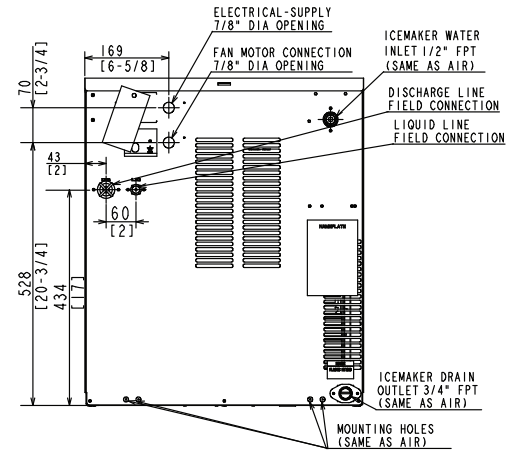


AIR-COOLED WATER-COOLED REMOTE AIR-COOLED

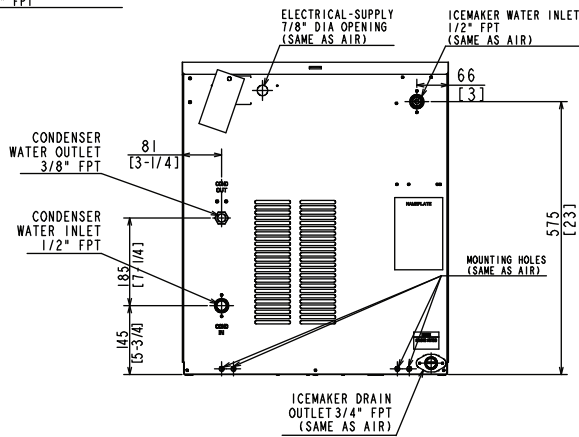
REAR VIEW



AIR-COOLED

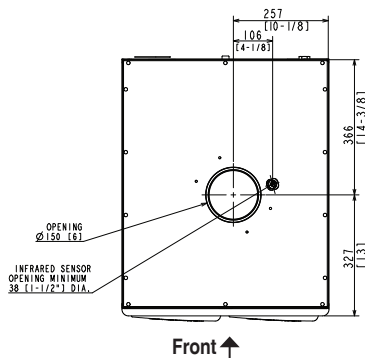


REMOTE AIR-COOLED



WATER-COOLED

BOTTOM VIEW



AIR-COOLED WATER-COOLED REMOTE AIR-COOLED

**URC-5FZ Remote Condenser (Sold Separately)**  
(W x D x H) 21<sup>13/16</sup> x 14<sup>1/16</sup> x 32<sup>13/16</sup>  
For Use with F-1002MRJZ(-C)

**Brazed Line Sets (Sold Separately)**  
25' HS-5587  
35' HS-5588

Voltage supply for ice maker and condensing unit are separate.

