



Outperform every day.™

Project:

Item Number:

Quantity:

TRAEX® BATTER BOSS® AND SAUCE BOSS® PORTION CONTROL DISPENSERS



Batter Boss®



Sauce Boss®

Traex® Batter Boss® and Sauce Boss®
Portion Control Dispensers

DESCRIPTION

Traex® Batter Boss® and Sauce Boss® Portion Control Dispensers provide accurate and consistent portion control. Each holds up to 48 ounces (1.4 liters) of batter, sauce or dressing. Reduces the risk of food contamination. Clear lid included with each.

Agency Listings



Due to continued product improvement, please consult www.vollrath.com for current product specifications.

MODELS

2803-18 Batter Boss Kit, almond, with legs

2800-31 Sauce Boss Kit, grey, with legs

FEATURES

Batter Boss® Kit

- Easily dispense pancake, waffle or hush puppy batters; or pizza sauce.
- Eight portion control settings dispense from 1-3 oz (29.5 - 88.7 ml).
- Easy portion adjustment. Pull the cam pin and rotate the cam to the desired setting.
- Comes with one-hole diffuser. Six-hole diffuser available as an accessory.
- Not recommended for chunky batters.
- Kit includes: octagonal cam pin, octagonal cam, trigger pin, trigger, dispenser bar, spring support plate, check valve, piston, spring and clear lid.
- Replacement parts available.

Sauce Boss® Kit

- Settings from 1/2 to 1/32 oz (18.8 - 0.9 ml)
- Easy portion adjustment. Pull the cam pin and rotate the cam to the desired setting.
- Comes with six-hole diffuser. One-hole diffuser available as an accessory.
- Kit includes: octagonal cam pin, octagonal cam, trigger pin, trigger, dispenser bar, piston, check valve, cylinder, octagonal yellow auxiliary cam, spring and clear lid.
- Replacement parts available.

WARRANTY: All models shown come with Vollrath's standard warranty against defects in materials and workmanship. For full warranty details, please refer to the Vollrath Equipment and Smallwares Catalog.

Approvals	Date



Outperform every day.™
www.vollrath.com

The Vollrath Company, L.L.C.
1236 North 18th Street
Sheboygan, WI 53081-3201 U.S.A.
Customer Service: 800.628.0830
Canada Customer Service: 800.695.8560
Main Fax: 800.752.5620 or 920.459.6573

Technical Services: 800.628.0832
Technical Services Fax: 920.459.5462

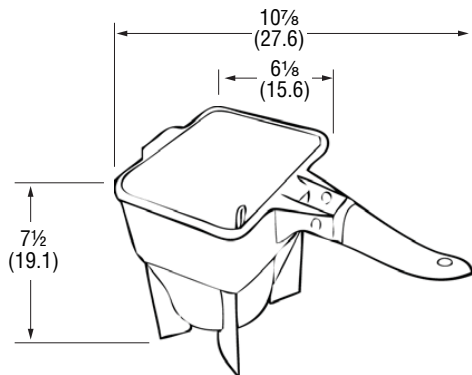
TRAEX® BATTER BOSS® AND SAUCE BOSS® PORTION CONTROL DISPENSERS

MODELS

- 2803-18** Batter Boss Kit, almond, with legs
- 2800-31** Sauce Boss Kit, grey, with legs

DIMENSIONS

Dimensions in inches (CM)



SPECIFICATIONS

Item No.	Country of Origin	Item Bar Code	Case Information							Display Bar Code
			Master Case	Case Lot	Height	Width	Length	Weight LB (KG)	Cube	
2803-18	USA	029419888740	0	1	6 3/8 (16.2)	9 1/2 (24.1)	11 1/2 (29.2)	1.65 (.75)	0.4	00029419888740
2800-31		029419888726	0	1	6 3/8 (16.2)	9 1/2 (24.1)	11 1/2 (29.2)	1.65 (.75)	0.4	00029419888726



Outperform every day.™

www.vollrath.com

The Vollrath Company, L.L.C.
 1236 North 18th Street
 Sheboygan, WI 53081-3201 U.S.A.
 Customer Service: 800.628.0830
 Canada Customer Service: 800.695.8560
 Main Fax: 800.752.5620 or 920.459.6573

Technical Services: 800.628.0832
 Technical Services Fax: 920.459.5462