



Outperform every day.™

Project:  
Item Number:  
Quantity:

Modular Drop-in: Top Mount Fabricator Well

The Vollrath Company, L.L.C.

## MODULAR DROP-IN: TOP MOUNT FABRICATOR WELL



Modular Drop-in: Top Mount Fabricator Well

### DESCRIPTION

The modular drop-in is designed for top-mount installation and requires hard-wiring. The beveled edge is designed for easy cleaning.

High-density glass fiber insulation and internal design features allow zero-clearance installation and use of 1000W elements.

Deep stainless steel well allows use of full-size and fractional pans up to 6" (15.2 cm) deep while still providing moist heat. Adaptor bars are recommended when using fractional pans.

Drop-in meets NSF4 performance standards only when using moist heat. Operation with water is required for even heating of the food product.

### ITEMS

- 36368 120V (US/Canada)
- 36369 208-240V (US/Canada)

### FEATURES

- Thermostatic control.
- Top is 20-gauge stainless steel, 18-8 Type 304, with approximately 1" (2.5 cm) overhang on all sides.
- Deep drawn well is 20-gauge 18-8 stainless steel.
- Standard 1000W heating element.
- Standard drain is ½" (1.27 cm) stainless steel fitting welded to pan with brass nipple extending below exterior housing. Drain screen included.
- Unit insulated on sides, ends, and below element assembly with high-density glass fiber insulation.
- Exterior housing is 20-gauge galvanized steel.
- Drop-in is supplied with stainless steel control panel for remote mounting of control.
- 4-ft. (121.9 cm) control cord contained in flexible metal conduit.
- Standard mounting tabs provided for sheet metal counters.

### ACCESSORIES

- Optional mounting kit for laminate and solid surface countertops. Item No. 36370.

### WARRANTY

All models shown come with Vollrath's standard warranty against defects in materials and workmanship. For full warranty details, please refer to [www.Vollrath.com](http://www.Vollrath.com).

### Agency Listings



Due to continued product improvement, please consult [www.vollrath.com](http://www.vollrath.com) for current product specifications.

Approvals	Date



Outperform every day.™

[www.vollrath.com](http://www.vollrath.com)

### The Vollrath Company, L.L.C.

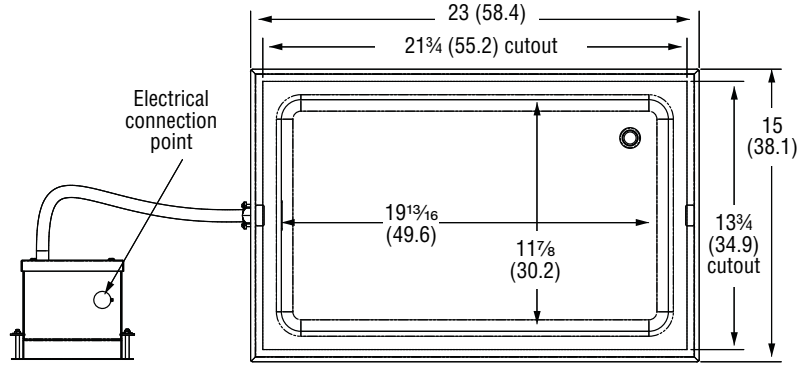
1236 North 18th Street  
 Sheboygan, WI 53081-3201 U.S.A.  
 Main Tel: 800.624.2051 or 920.457.4851  
 Main Fax: 800.752.5620 or 920.459.6573  
 Customer Service: 800.628.0830  
 Canada Customer Service: 800.695.8560

Technical Services  
[techservicereps@vollrathco.com](mailto:techservicereps@vollrathco.com)  
 Induction Products: 800.825.6036  
 Countertop Warming Products: 800.354.1970  
 All Other Products: 800.628.0832

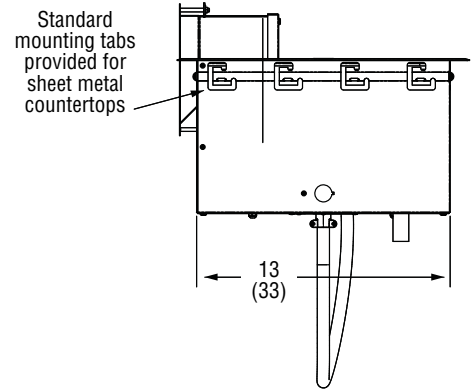
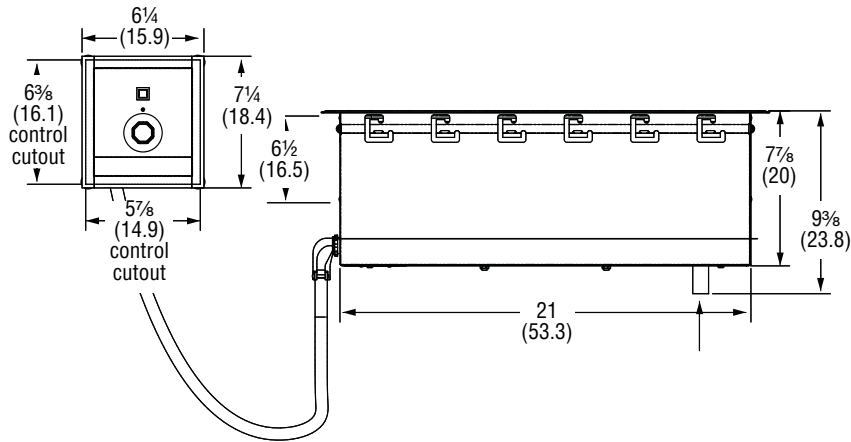
# MODULAR DROP-IN: TOP MOUNT FABRICATOR WELL

## DIMENSIONS (shown in inches (cm))

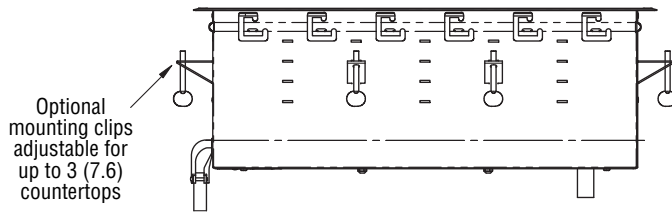
Opening cutout must have a 7/8" (2.2 cm) corner radius



Top View



Side View



Front Views

## ELECTRICAL SPECIFICATIONS

Item No.	Watts	Volts	Amps
36368	1000	120	8.3
36369	750-1000	208-240	3.6-4.2



Outperform every day.™

[www.vollrath.com](http://www.vollrath.com)

### The Vollrath Company, L.L.C.

1236 North 18th Street  
 Sheboygan, WI 53081-3201 U.S.A.  
 Main Tel: 800.624.2051 or 920.457.4851  
 Main Fax: 800.752.5620 or 920.459.6573  
 Customer Service: 800.628.0830  
 Canada Customer Service: 800.695.8560

Technical Services  
[techservicereps@vollrathco.com](mailto:techservicereps@vollrathco.com)  
 Induction Products: 800.825.6036  
 Countertop Warming Products: 800.354.1970  
 All Other Products: 800.628.0832