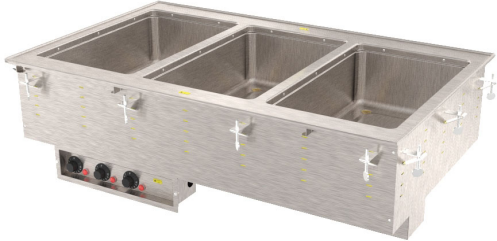




**Project:**  
**Item Number:**  
**Quantity:**

## THREE-WELL HOT MODULES



Item Numbers			Description	
Standard	Manifold	Manifold w/ Auto-Fill	Control	Voltage
<b>1000 Watts Per Well</b>				
3640401	3640451	3640461	Infinite	120
3640411	3640471	3640481	Thermostatic	
3640501	3640551	3640561	Infinite	208-240
3640511	3640571	3640581	Thermostatic	
<b>625 Watts Per Well</b>				
36404	3640450	3640460	Infinite	120
3640410	3640470	3640480	Thermostatic	
36405	3640550	3640560	Infinite	208
3640510	3640570	3640580	Thermostatic	
36473	3647350	3647360	Infinite	240
3647310	3647370	3647380	Thermostatic	

### DESCRIPTION

Vollrath's three-well drop-ins keep hot foods at proper serving temperatures. They are designed for top-mount installation and do not require hard-wiring.

### SHORT DESCRIPTION

Three-well hot-drop-in, flange and full-size wells, 300-series stainless steel, standard or manifold drains, insulated on all non-exposed sides, cord with plug, stainless steel remote control panel, mounting clips.

**Note:** Orders for drop-ins cannot be canceled or returned.

**Note:** Drop-in meets NSF4 performance standards only when using moist heat. Operation with water is required for even heating of the food product.

### Agency Listings



### FEATURES

- Top flange and drawn well are 300-series stainless steel.
- Includes gasket for under drip edge.
- Standard drain is 1/2" (1.3 cm) with individual well ball valves.
- Manifold drain is 1" (2.5 cm) copper tubing with master manifold shut off.
- Insulated on all sides, including between each well.
- Includes 6' (1.8 m) cord with plug. Dose not require hard-wiring.
- Stainless steel control panel with individual controls and power indicator light for each well.
- Control panel has 4' (121.9 cm) tethered connection for flexible mounting locations.
- Includes standard mounting clips for use on counters up to 3" (7.6 cm) thick for easy installation.
- Accepts full-size and fractional pans up to 6' (15.2 cm) deep.
- Adapter bars are recommended when using fractional pans.
- **Optional** To replace drip free flange with flat flange, add "-FF" to item number.

### WARRANTY

All models shown come with Vollrath's standard warranty against defects in materials and workmanship. For full warranty details, please refer to [www.Vollrath.com](http://www.Vollrath.com).

### ACCESSORIES

- Sheet pan adapter available. Item No. 19186.

### CLEARANCE AND ENVIRONMENT REQUIREMENTS

- Zero-clearance installation
- Indoor use only. Room temperature and HVAC can effect performance temperatures

Approvals	Date

*Due to continued product improvement, please consult [www.vollrath.com](http://www.vollrath.com) for current product specifications.*



[www.vollrath.com](http://www.vollrath.com)

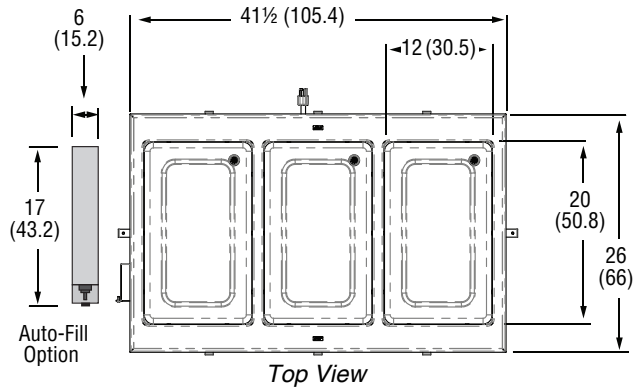
### The Vollrath Company, L.L.C.

1236 North 18th Street  
 Sheboygan, WI 53081-3201 U.S.A.  
 Main Tel: 800.624.2051 or 920.457.4851  
 Main Fax: 800.752.5620 or 920.459.6573  
 Customer Service: 800.628.0830  
 Canada Customer Service: 800.695.8560

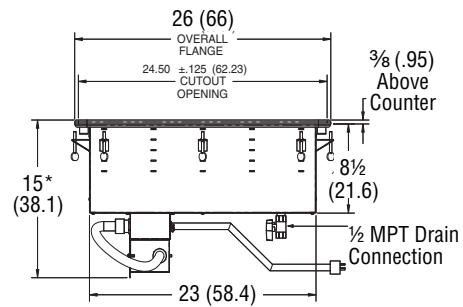
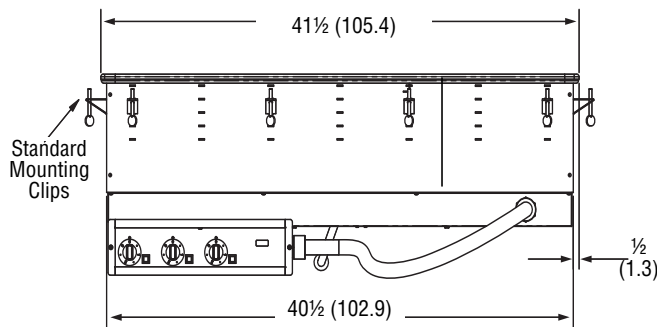
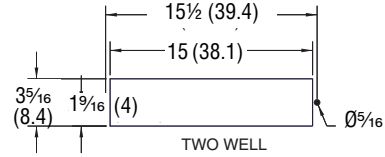
Technical Services  
[techservicereps@vollrathco.com](mailto:techservicereps@vollrathco.com)  
 Induction Products: 800.825.6036  
 Countertop Warming Products: 800.354.1970  
 All Other Products: 800.628.0832

# THREE-WELL HOT MODULES

## DIMENSIONS Shown in inches (cm)



### Control Panel Cutout



*Operator View*

Controls must be mounted on operator (raceway) side for proper orientation with wells.

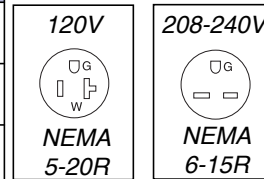
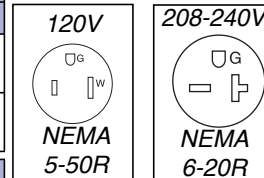
\*Manifold drain adds 6 1/2 (16.5) to overall height

*Side View*

## ELECTRICAL SPECIFICATIONS

Standard	Manifold	Manifold w/ Auto-Fill	Control	Cutout Dimension IN (CM)	Voltage	Amps	Plug
<b>1000 Watts Per Well</b>							
3640401	3640451	3640461	Infinite	40 3/4 x 25 1/4 (103.5)	120	25	NEMA 5-50P
3640411	3640471	3640481	Thermostatic				
3640501	3640551	3640561	Infinite		208-240	10.8-12.5	NEMA 6-20P
3640511	3640571	3640581	Thermostatic				
<b>625 Watts Per Well</b>							
36404	3640450	3640460	Infinite	40 3/4 x 25 1/4 (64.1)	120	15.6	NEMA 5-20P
3640410	3640470	3640480	Thermostatic				
36405	3640550	3640560	Infinite		208	6.8	NEMA 6-15P
3640510	3640570	3640580	Thermostatic				
36473	3647350	3647360	Infinite		240	7.8	NEMA 6-15P
3647310	3647370	3647380	Thermostatic				

### Straight Blade Receptacles



**Note:** Cutout must have a 7/8" (2.2 cm) corner radius.

**NOTICE:** Do NOT modify the cord or plug on the drop-in. Modifying any component may damage the drop-in or cause injury, and will void the warranty.



[www.vollrath.com](http://www.vollrath.com)

### The Vollrath Company, L.L.C.

1236 North 18th Street  
 Sheboygan, WI 53081-3201 U.S.A.  
 Main Tel: 800.624.2051 or 920.457.4851  
 Main Fax: 800.752.5620 or 920.459.6573  
 Customer Service: 800.628.0830  
 Canada Customer Service: 800.695.8560

Technical Services  
[techservicereps@vollrathco.com](mailto:techservicereps@vollrathco.com)  
 Induction Products: 800.825.6036  
 Countertop Warming Products: 800.354.1970  
 All Other Products: 800.628.0832