



Outperform every day.™

Project:
Item Number:
Quantity:

Affordable Portable™ Utility Stations

The Vollrath Company, L.L.C.

AFFORDABLE PORTABLE™ UTILITY STATIONS



Stations with electrical components are UL listed.

Affordable Portable™ Utility Station Shown with NSF2 Buffet Breath Guard

DESCRIPTION & FEATURES

- Constructed of vinyl-clad, 20-gauge carbon steel.
- NSF2 buffet or NSF2 cafeteria style acrylic breath guard.
- Available in seven versatile colors.
- Seamless one-piece 20 gauge 300 series stainless steel work surface.
- Locking casters.
- **Affordable Portable™ orders cannot be canceled or returned.**

Lighting Option

- Factory-installed option
- Requires Buffet breath guard
- 120V
- Bulbs not included

WARRANTY

All models shown come with Vollrath's standard warranty against defects in materials and workmanship. For full warranty details, please refer to www.Vollrath.com.

ITEMS

Description	Black	Walnut Woodgrain	Cherry Woodgrain	Granite	White	American Natural	Brushed Aluminum
46" Utility Station with NSF2 Buffet Breath Guard – 120V							
Solid Base	38701	38926	38761	38721	38721W	38721N	38721A
Solid Base w/ Lights	3870146	3892646	3876146	3872146	3872146W	3872146N	3872146A
Open Storage Base	38702	38927	38762	38722	38722W	38722N	38722A
Open Storage w/ Lights	3870246	3892746	3876246	3872246	3872246W	3872246N	3872246A
Storage Base w/ Door	38703	38928	38763	38723	38723W	38723N	38723A
Storage w/ Door, w/ Lights	3870346	3892846	3876346	3872346	3872346W	3872346N	3872346A
46" Utility Station with NSF2 Cafeteria Breath Guard – 120V							
Solid Base	39701	39926	39761	39721	39721W	39721N	39721A
Open Storage Base	39702	39927	39762	39722	39722W	39722N	39722A
Storage Base w/ Door	39703	39928	39763	39723	39723W	39723N	39723A
60" Utility Station with NSF2 Buffet Breath Guard – 120V							
Solid Base	38704	38930	38764	38724	38724W	38724N	38724A
Solid Base w/ Lights	3870460	3893060	3876460	3872460	3872460W	3872460N	3872460A
Open Storage Base	38705	38931	38765	38725	38725W	38725N	38725A
Open Storage w/ Lights	3870560	3893160	3876560	3872560	3872560W	3872560N	3872560A
Storage Base w/ Door	38706	38932	38766	38726	38726W	38726N	38726A
Storage w/ Door, w/ Lights	3870660	3893260	3876660	3872660	3872660W	3872660N	3872660A
60" Utility Station with NSF2 Cafeteria Breath Guard – 120V							
Solid Base	39704	39930	39764	39724	39724W	39724N	39724A
Open Storage Base	39705	39931	39765	39725	39725W	39725N	39725A
Storage Base w/ Door	39706	39932	39766	39726	39726W	39726N	39726A

Approvals	Date

Due to continued product improvement, please consult www.vollrath.com for current product specifications.



Outperform every day.™

www.vollrath.com

The Vollrath Company, L.L.C.

1236 North 18th Street
Sheboygan, WI 53081-3201 U.S.A.
Main Tel: 800.624.2051 or 920.457.4851
Main Fax: 800.752.5620 or 920.459.6573
Customer Service: 800.628.0830
Canada Customer Service: 800.695.8560

Technical Services
techservicereps@vollrathco.com
Induction Products: 800.825.6036
Countertop Warming Products: 800.354.1970
All Other Products: 800.628.0832

AFFORDABLE PORTABLE™ UTILITY STATIONS

ACCESSORIES AND ADD-ONS

Tray Slides

- 39924 Fits 24" (61 cm)
- 39946 Fits 46" (117 cm)
- 39960 Fits 60" (152 cm)



- 300 Series stainless steel
- Fold-down mounting brackets
- 11" (27.9) tray area
- 11½" (29.2) depth
- Adds 5½" (14 cm) to depth in folded position
- Add NF in front of the item number for non-folding mode

Cutting Boards

- 39824 Fits 24" (61 cm)
- 39846 Fits 46" (117 cm)
- 39860 Fits 60" (152 cm)



- Polyethylene
- Fold-down mounting brackets
- 7" (17.8 cm) depth
- Add 4" (10.2 cm) to depth in folded position

Infrared Lamp Bulbs

- 72242 White, 250W, 1 Dozen
- 72241 Red, 250W, 1 Dozen

Plate Rests

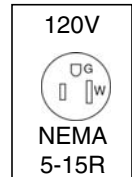
- 38992 Fits 24" (61 cm)
- 38993 Fits 46" (117 cm)
- 38994 Fits 60" (152 cm)



- Stainless steel
- Fold-down mounting brackets
- 7" (17.8 cm) depth
- Adds 4½" (11.4 cm) to depth in folded position
- Add NF in front of the item number for non-folding model

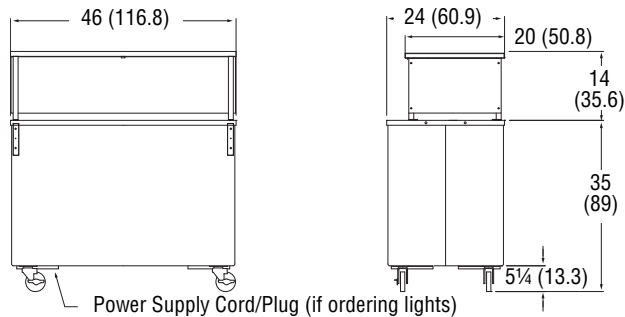
ELECTRICAL SPECIFICATIONS

Description	With Incandescent Lamps (250W maximum per fixture)			
	Volts	Hz	Amps	Electrical Service (A)
46" Utility Station	120	60	6.0	15
60" Utility Station			8.0	

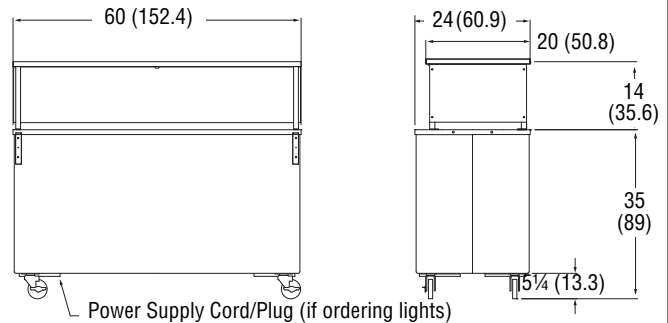


DIMENSIONS (Shown in inches (cm))

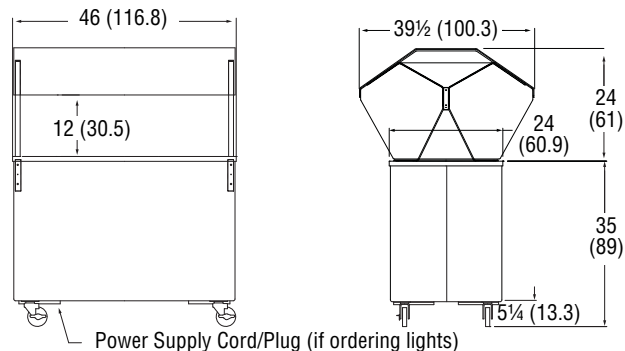
46" Utility Station with NSF2 Cafeteria Breath Guard



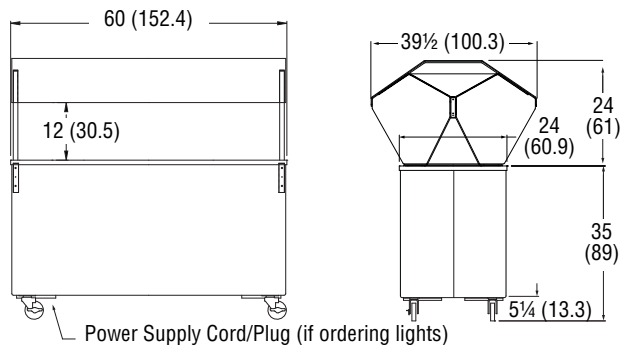
60" Utility Station with NSF2 Cafeteria Breath Guard



46" Utility Station with NSF2 Buffet Breath Guard



60" Utility Station with NSF2 Buffet Breath Guard



3 Well Storage Opening: 36 x 23 x 16½ (91.5 x 58 x 42)

4 Well Storage Opening: 50 x 23 x 16½ (127 x 58 x 42)



Outperform every day.™

www.vollrath.com

The Vollrath Company, L.L.C.

1236 North 18th Street
 Sheboygan, WI 53081-3201 U.S.A.
 Main Tel: 800.624.2051 or 920.457.4851
 Main Fax: 800.752.5620 or 920.459.6573
 Customer Service: 800.628.0830
 Canada Customer Service: 800.695.8560

Technical Services
techservicereps@vollrathco.com
 Induction Products: 800.825.6036
 Countertop Warming Products: 800.354.1970
 All Other Products: 800.628.0832