

Project: _____

Item: _____

Quantity: _____

Bulk Cart - Frame & Tubs

- The perfect “bulk” cart for every department.
- All welded construction.
- Framework is constructed out of 1¼” x 1¼” x .070” wall tubing.
- Tub supports are constructed out of 1” x 1” x .070” wall tubing.
- Equipped with four 5” x 1⅜” stem type polyurethane swivel casters.
- Lifetime Guarantee against rust and corrosion.
- Five-Year Guarantee against workmanship and material defects.



2¼ Bushel

99521



4 Bushel

99271
0381 - Tub
0381L- Lid



8 Bushel

99273
0360 - Tub
0360L- Lid



6 Bushel

99272
0363 - Tub
0363L- Lid



9 Bushel

99274
0382 - Tub
0382L- Lid



0300



Lid



New Age Industrial Corp., Inc. || NewAgeIndustrial.com || Made in the USA 

PO Box 520 • 16788 US Hwy 36 • Norton, Kansas 67654 || Phone: (800) 255-0104 • (785) 877-5121 || Fax: (877)-877-7687 • (785) 877-2616

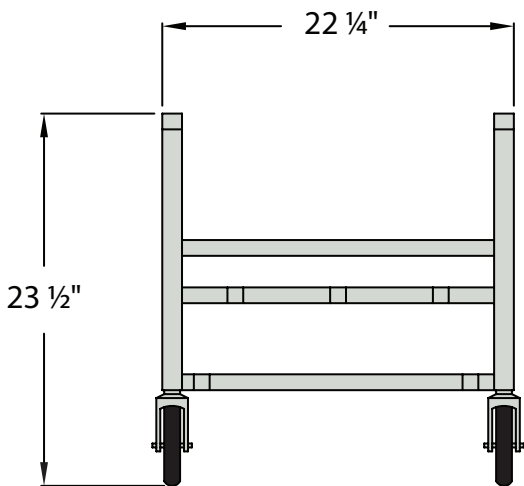
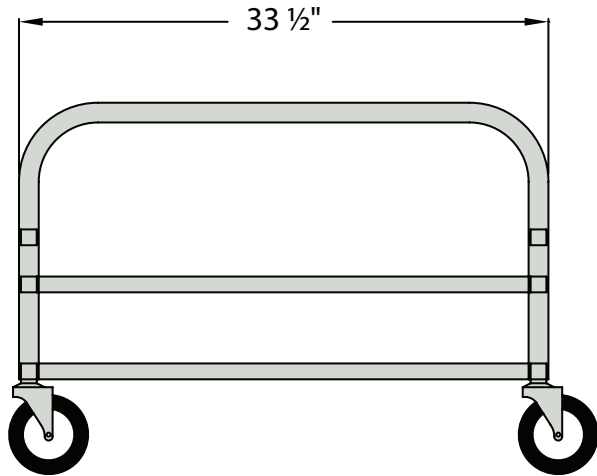
This information is for general sales and engineering use only. New Age Industrial reserves the right to modify or make changes at any time, without notice, to materials and specifications.

Project: _____

Item: _____

Quantity: _____

Bulk Cart - Frame & Tubs



99273

► Bulk Cart • Frame & Tubs

Model No.		Size W-H-D	Ship Lbs.
***** All Items Are Sold Separately *****			
a. 2 1/4 Bushel • 16.5 Gallon			
99521	Dolly	20 1/4" x 33" x 26 1/4"	26
0300	Tub	19 1/4" x 13 3/4" x 26"	8
b. 4 Bushel • 30 Gallon			
99271	Dolly	21" x 28 1/4" x 30 1/4"	22
0381	Tub	21 1/4" x 15 3/4" x 32 3/4"	12
0381L	Lid	22 1/2" x 2" x 34"	9
c. 6 Bushel • 41 Gallon			
99272	Dolly	22" x 25" x 29"	22
0363	Tub	23 1/4" x 20" x 32 1/4"	17
0363L	Lid	24 1/2" x 2" x 33 1/2"	6
d. 8 Bushel • 57 Gallon			
99273	Dolly	23 1/4" x 24" x 34 1/2"	23
0360	Tub	24 1/2" x 23" x 36 1/4"	23
0360L	Lid	25" x 2 1/2" x 37 1/2"	12.5
e. 9 Bushel • 66 Gallon			
99274	Dolly	27 1/2" x 25" x 38 1/4"	26
0382	Tub	29 1/2" x 19" x 41 1/2"	27
0382L	Lid	29 1/2" x 2 1/2" x 41 1/2"	10

Four 5" stem type casters (#C482).
All carts with tubs are 36 1/2" high.

Options:

Caster Locks (2) - Add "CL" suffix to model #.



New Age Industrial Corp., Inc. || NewAgeIndustrial.com || Made in the USA

PO Box 520 • 16788 US Hwy 36 • Norton, Kansas 67654 || Phone: (800) 255-0104 • (785) 877-5121 || Fax: (877)-877-7687 • (785) 877-2616

This information is for general sales and engineering use only. New Age Industrial reserves the right to modify or make changes at any time, without notice, to materials and specifications.