

Project: _____

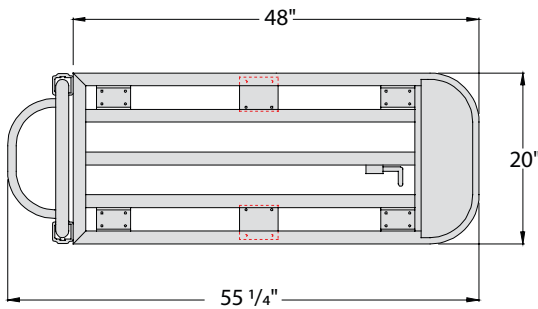
Item: _____

Quantity: _____

Folding "L" Cart

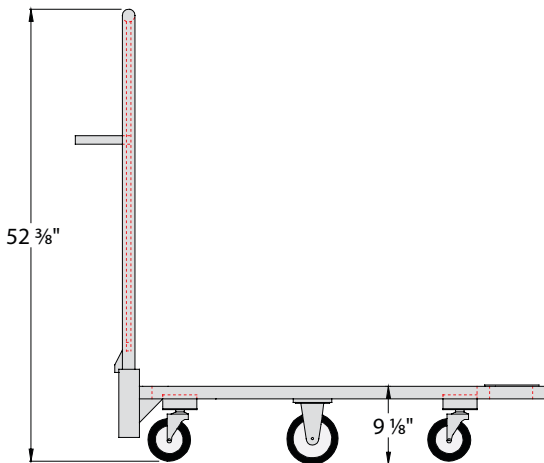


95241



The Folding "L" Cart is designed for transporting heavy loads from the backroom to the floor. When you are done, it folds up easy storage. This cart has 7½ square feet of deck space and takes up less than 2 square feet of storage space.

- Framework is constructed out of 1½" x 1½" x .070" wall tubing.
- Handle is constructed out of 1½" diameter pipe, reinforced with ½" x 1" x .070" wall tubing.
- Equipped with four 5" platform type swivel casters and two 6" x 2" platform type rigid casters.
- Lifetime Guarantee against rust and corrosion.
- Five-Year Guarantee against workmanship and material defects.



95370

► Folding "L" Cart

Model No.	Size W-H-L	Deck Height	# Of Casters	Ship Lbs.
95370	20" x 52 ³ / ₈ " x 55 ¹ / ₄ "	9"	6	53
95241	18" x 63" x 62"	9 ¹ / ₈ "	6	54

Six casters - four 5" swivel (#C450) and two 2" x 6" rigid (#C518).



New Age Industrial Corp., Inc. || NewAgeIndustrial.com || Made in the USA

PO Box 520 • 16788 US Hwy 36 • Norton, Kansas 67654 || Phone: (800) 255-0104 • (785) 877-5121 || Fax: (877)-877-7687 • (785) 877-2616

This information is for general sales and engineering use only. New Age Industrial reserves the right to modify or make changes at any time, without notice, to materials and specifications.