



***GARLAND MODEL  
680's USA MODEL***

**PARTS LIST**

Toll Free Phone, (US & Canada): (800) 427-6668

Toll Free Fax, (US & Canada): (800) 361-7745

<http://www.garland-group.com>



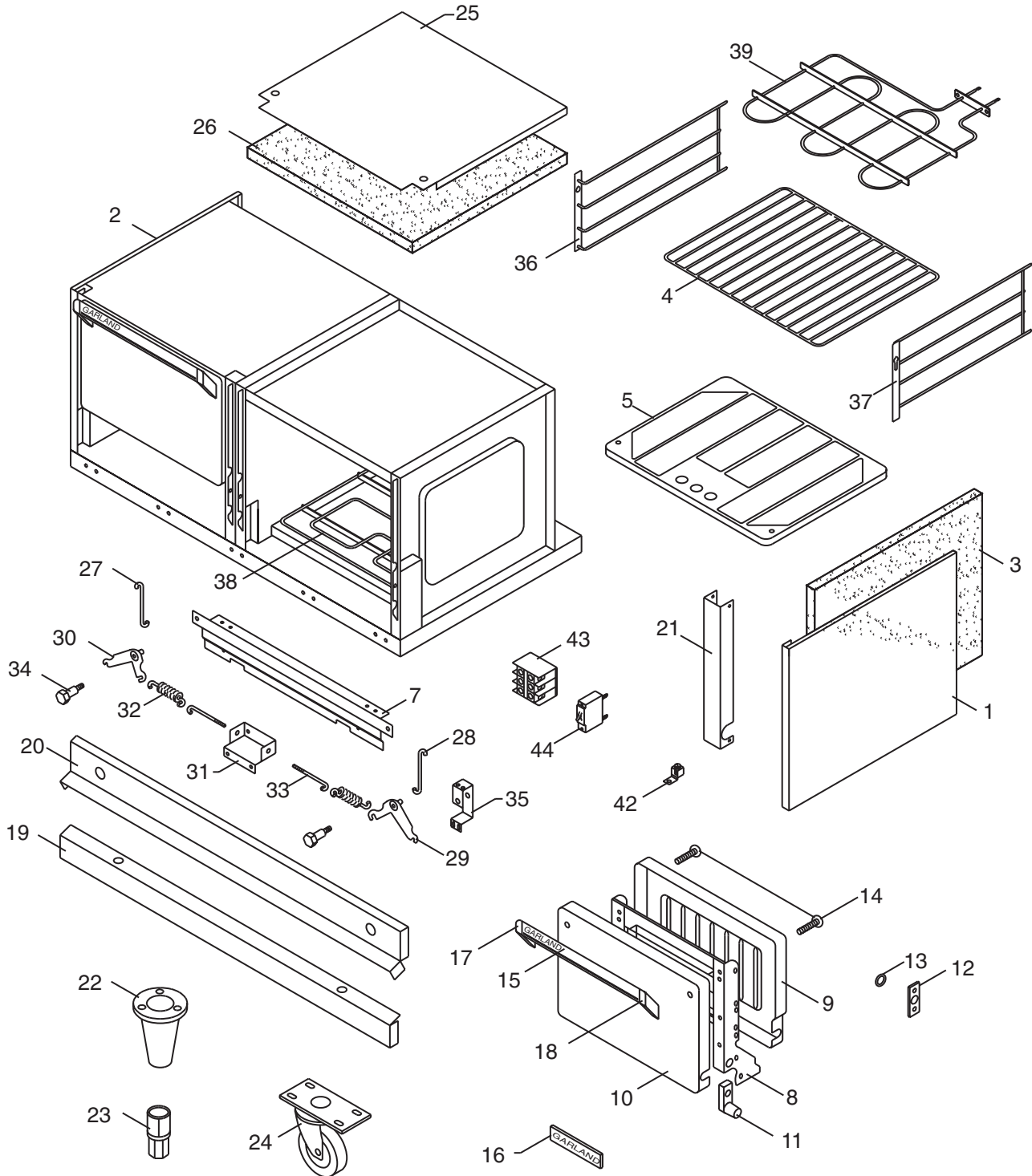


# ***GARLAND MODEL 680's USA MODEL***

## ***Contents:***

Restaurant Range Oven Section Models 680-2, 684 And 686.....	Page 4
Restaurant Range Surface Plate Sections - Models 684 And 686.....	Page 8
Revision History .....	Page 11

USA MODEL



Oven Section US.dwg  
 Rev 0

## GARLAND PARTS IDENTIFICATION

### Restaurant Range Oven Section Models 680-2, 684 And 686

ITEM	PART #	DESCRIPTION	MODEL			DATE	
			QUANTITY			FROM	UP TO
			680-2	684	686		
1	1081113	Body Side R/H SS G280	2	1			
	1081104	Body Side R/H S/S			1		
2	1081108	Body Side L/H SS G280	2	1			
	1081109	Body Side L/H S/S			1		
3	1472200	Side Insulation G280					
	2301200	Oven Rack Assembly H280	2	2	1		
	2117000	Oven Rack Chrome					
5	1438499	Oven Bottom - S680 Sunfire	2	2	1		
6*	G01091-01-6	Oven Flue Riser Assembly	2	2	1		
	1081799	Flue Box Assembly H280-2	1				
7	1528800	Front Frame Lower Support	2	2	1		
8	G03984-03-8	Oven Door Insert Assembly	2	2	1		
9	1439796	Oven Door Lining Enamelled	2	2	1		
10	1080714	Oven Door Panel - SS	2	2	1		
	1080723	Oven Door Panel	1	1	1		
11	1082500	Oven Door Trunion	4	4	2		
12	1083001	Trunion Support	4	4	2		
13	1082700	Harness Ring 7GA. #0911N070800	4	4	2		
14	1594300	1/-20X1 1/ HEX WSH RLL SCRW					
15	1589100	Extruded Handle Bar 24 3/8"	2	2	1		
	1592000	Handle Overlay 24 3/8"x1 21/64	2	2	1		
16	1902918	Nameplate - GARLAND 7 3/4	1	1	1		
17	9003701	Handle L/H	2	2	1		
18	9003700	Handle R/H	2	2	1		
19	1347111	Kick Panel Lower - 30"	2		1		
	1347113	Kick Panel Lower		1			
20	1347003	Kick Panel Upper S/S 30"	2		1		
	1347007	Kick Panel Upper 60"		1			
21	1081505	Centre Column		1			
22	1027600	Leg Retainer 6" (Std.)					
23	1150502	Bullet Legs	4	4	4		
24	1027800	Castor W/O Brake - NLA	2	2	2	Dec-10-04	
	4519432	Swivel Caster	2	2	2	Dec-10-04	
	1027801	Caster W/Brake - NLA	2	2	2	Dec-10-04	
	4519433	Swivel Caster with Break	2	2	2	Dec-10-04	
25*	1392200	Burner Box Bottom H284					
	1080915	Burner Box Bottom H286					
26	1472300	Insulation 28x23x2 Top					
27	1082802	Oven Door Hinge Link RT	2	2	1		
28	1082803	Oven Door Hinge Link LT	2	2	1		
29	1082199	R/H Bell Crank Assembly	2	2	1		
30	1082198	L/H Bell Crank Assembly	2	2	1		
31	2301300	Door Spring Support	2	2	1		
32	1005800	Door Spring	4	4	2		
33	9004701	Oven Door Spring Hook	4	4	2		
34	GF299	1/4-20 x 1/2 Shoulder Bolt	4	4	2		
35	1386100	Bell Crank Support	4	4	2		

\* NOT ILLUSTRATED

**RECOMMENDED STOCK PARTS**

## GARLAND PARTS IDENTIFICATION

### Restaurant Range Oven Section Models 680-2, 684 And 686

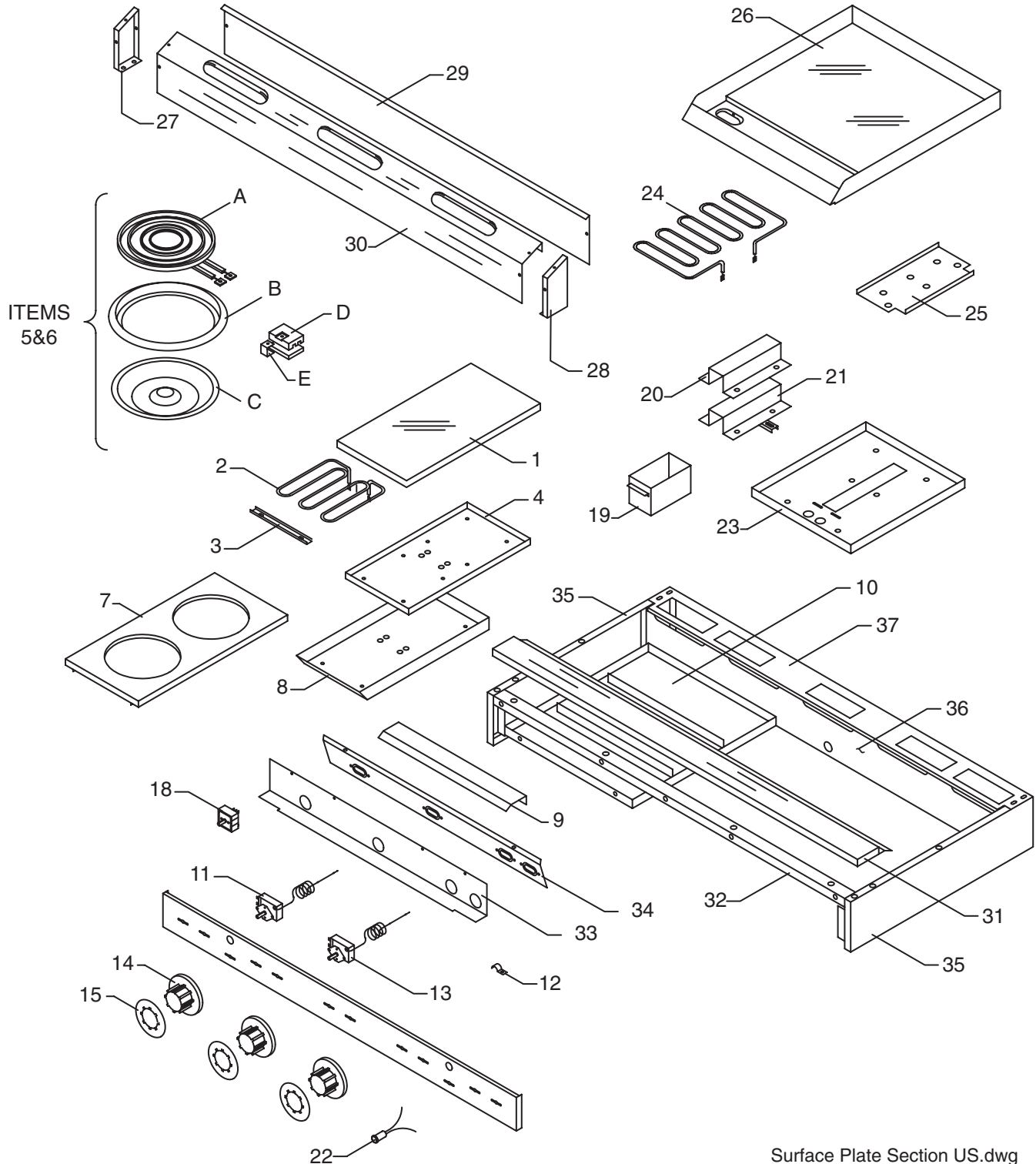
ITEM	PART #	DESCRIPTION	MODEL			DATE	
			QUANTITY			FROM	UP TO
			680-2	684	686		
36	2297000	Oven Rack Slide Assy RH - NLA	2	2	1		
37	2297701	Oven Rack Slide Assy LH - NLA	2	2	1		
38	<b>G01042-1</b>	<b>Element Lower 208V, 4.1KW</b>	2	2	1	1976	
	<b>G01042-2</b>	<b>Element Lower 240V, 4.1KW</b>	2	2	1	1976	
	<b>G1862A1</b>	<b>Element Lower Oven 208V</b>	2	2	1	1958	1975
	<b>G1862A2</b>	<b>Element Lower Oven O/S 240V</b>	2	2	1	1958	1975
39	<b>G01043-1</b>	<b>Element Upper 208V,750W</b>	2	2	1	1976	
	<b>G01043-2</b>	<b>Element Upper 240V,750W</b>	2	2	1	1976	
	<b>G1863A1</b>	<b>Element Upper Oven 208V</b>	2	2	1	1958	1975
	<b>G1863A2</b>	<b>Element Upper Oven 240V</b>	2	2	1	1958	1975
40*	9007100	Rear RC Element 208 VOLT	RC Models Only				
	9007103	Rear RC Element 240 VOLT					
41*	9007101	Center RC Element 208 Volt	RC Models Only				
	9007104	Center RC Element 240 Volt					
42	G01499-1	Ground Terminal 105A Large SLU-70	1	1	1		
43	1193900	Terminal Block 3 Pole	1	1	1		
44	<b>1026203</b>	<b>Circuit Breaker 1 Pole 40A</b>	As Required			Apr-89	
	<b>1103301</b>	<b>(1) Pole Breaker 40 Amps</b>	As Required				Apr-89
	<b>1026200</b>	<b>Circuit Breaker 3 Pole 50A 680-2 Only</b>	As Required				
	1130104	Fuse Holder	As Required				
	1130105	Fuse 30Amp	As Required				
45*	1019600	Door Micro Switch					
	1358900	Power Switch /ON/OFF/ON					
	1358901	Switch Rocker ON/ON TB201-TB-B					

\* NOT ILLUSTRATED

**RECOMMENDED STOCK PARTS**

# ***NOTES***

### USA MODELS



Surface Plate Section US.dwg  
REV.0



**GARLAND PARTS IDENTIFICATION**  
**Restaurant Range Surface Plate Sections - Models 684 And 686**

ITEM	PART #	DESCRIPTION	MODEL						
			QUANTITY						
			684	686	HOT/TOP PER SECTION	GRIDDLE SECTION			12" OPEN TOPS / SECTION
12"	24"	36"							
1	1102298	Hot Top Assembly 680 Series			1				
2	1102103	Hot Top Element 208			2				
4	1102104	Hot Top Element 240			2				
3	1102306	Hot Top Element Clamp			4				
	1102305	Hot Top Element Baffle LT/RT			1				
5A	<b>2195000</b>	<b>8" Surface Element 208V (2.1Kw)</b>							1
	<b>2195001</b>	<b>8" Surface Element 240V (2.1Kw)</b>							1
5B	2602399	8" Ring Assembly							1
5C	2195300	8" Pan Reflector							1
5D	2195700	Split Terminal Block (Small)							1
5E	2627700	Terminal Block Clip							1
6A	<b>2195100</b>	<b>6 1/2" Surface Element 208V</b>							1
	<b>2195101</b>	<b>6 1/2" Surface Element 240V</b>							1
6B	2602499	6 1/2" Ring Assembly"							1
6C	2195200	Reflector Pans 6 1/2"							1
6D	2195800	Split Terminal Block (Small)							1
6E	2627700	Terminal Block Clip							1
7	G0414-1-9	Insert Top 2 Hole	1	1					
	G1865-01-9	Insert Top Assembly 4 Hole	1	1					
	G1864-01-9	Insert Top Assembly 6 Hole	1	1					
8	1102301	Hot Top Element Cover RT			1				
	1102302	Hot Top Element Cover LT			1				
9	1685305	Drip Tray Handle 10 1/8		1					
	1685301	Drip Tray Handle 23 15/16	1	1					
	1527300	Drip Tray Handle 30" (Up to Dec. 1998)	2						
10	1530400	Drip Tray 12"		1					
	G1890-01-8	Drip Tray Assembly 2"	2	1					
11	G0893-01	Griddle Thermostat (From 1974 to Present)				1	2	3	
	1102703	Griddle Thermostat Up to Serial #10963 (1958-1973)				1	2	3	
12	GF138	Capillary Bulb Clamp	4	2					
13	<b>G0894-01</b>	<b>Oven Thermostat 150F TO 550F</b>	2	1					
14	<b>G02716-1</b>	<b>Dial - (Universal) Small Shaft</b>	2	1					
15	<b>G02725-17</b>	<b>Dial Insert (OFF/150F/550F) Oven F</b>	2	1					
	<b>G02725-</b>	<b>Dial Insert (OFF/MIN/2-6/MAX)</b>							
	<b>G02725-19</b>	<b>Dial Insert (OFF/100F/450F) Griddle F</b>							
16*	<b>G0894-02</b>	<b>Thermostat EA5-18F TO 550F For 680-2 Only (Bottom Oven)</b>							
17*	<b>G0515-1</b>	<b>RAC Oven Control (1972-1975)</b>							
18	<b>G03185-2</b>	<b>Infinite Switch-240 Volt</b>			2				2
19	G01603-01-7	Grease Chute Assembly				1	1	1	
20	G01849-1-6	Bulb Channel				1	2	3	
21	G01851-01-6	Bulb Clamp Assembly				1	2	3	
22	G01296-2	Pilot Amber	2	1		1	2	3	
	G01296-1	Pilot Red 240V							
23	G03261-1-6	Element Cover				1	2	3	
24	<b>G01816-1</b>	<b>Element 208V, 3350 W (From 1983)</b>				1	2	3	
	<b>G01816-2</b>	<b>Element 240V, 3350 W (From 1983)</b>				1	2	3	

\* NOT ILLUSTRATED

**RECOMMENDED STOCK PARTS**

**GARLAND PARTS IDENTIFICATION**  
**Restaurant Range Surface Plate Sections - Models 684 And 686**

ITEM	PART #	DESCRIPTION	MODEL						
			QUANTITY						
			684	686	HOT/TOP PER SECTION	GRIDDLE SECTION			12" OPEN TOPS / SECTION
			12"	24"	36"				
24 Cont	<i>G2679-1</i>	<i>Element 208V, 3.35KW (Used From 1973 - 1983)</i>							
	<i>G2679-2</i>	<i>Element 240V, 3.35KW (Used From 1973 - 1983)</i>							
	<i>G1713-2</i>	<i>Griddle Element 208V (Used From 1958 - 1972)</i>							
	<i>G1713-1</i>	<i>Griddle Element 240V (Used From 1958 - 1972)</i>							
25	G01884-1-6	Element Clamp				2	4	6	
26	G03262-012-8	Griddle Assembly 12 LH 680"				1			
	2566299	Griddle Assembly 12 - RH 680"				1			
	G03263-024-8	Griddle Assembly					1		
	G0326-036-8	Griddle Assembly						1	
27	G2595-1-92	Backguard Bracket L/H	1	1					
28	G2595-1-91	Backguard Bracket R/H	1	1					
29	G2597-36-7	Backguard Back Standard		1					
	G2597-60-7	Backguard Back Standard	1						
30	G0399-1-9	Backguard Front Specify Model & Griddle Side	1						
	G0400-1-9	Backguard Front Specify Model & Griddle Side		1					
31	G0403-36-9	Front Top		1					
	G0405-60-9	Front Top	1						
32	1085000	Front Channel H286		1					
	1085100	Front Channel H284	1						
33	1528900	Switch Guard 60"	1						
	1528901	Switch Guard 36"		1					
34	1528200	Heat Baffle Assembly 60"	1						
	1528201	Heat Baffle 36"		1					
35	G6524-1-9	Burner Box Side S/S	2	2					
36	1523800	Burner Box Back 60"	1						
	1528700	Burner Box Back 36"		1					
37	G0402-60-7	Back Top 60"	1						
	G0401-36-7	Back Top 36"		1					
<b>Parts Kit</b>									
	CK100-208V	8" Surface Element Assembly	1	1					
	CK101-208V	6 1/2" Surface Element Assembly	1	1					
	CK100-240V	8" Surface Element Assembly	1	1					
	CK101-240V	6 1/2" Surface Element Assembly	1	1					
	CK189	Hot Top Ass'y Right 208V Kit			1				
	CK190	Hot Top Ass'y Left 208V Kit			1				
	CK194	Hot Top Ass'y Right 240V Kit			1				
	CK192	Hot Top Ass'y Left 240V Kit			1				
<b>680 Elements From Jan 1984 To Dec 1992</b>									
A	1697101	7-1/2 Elem.208V 2100W Sgl.Coil							
	1697102	Element 7 1/2 236V							
B	1771799	Adaptor Ring W/Clips S/W							
C	2195300	8 Pan Reflector"							
A	1697201	5-7/8 Elem.208V 1250W Sgl.Coil							
	1697202	5-7/8 Elem.250V 1250W Sgl.Coil							
B	1771798	6 Ring O/S (1984 To 1993) 680"							
C	2195200	Reflector Pans 6 1/2"							

\* NOT ILLUSTRATED

**RECOMMENDED STOCK PARTS**

## GARLAND PARTS IDENTIFICATION

### Revision History

REV. #	PAGE #	ITEM #	NOTE	DATE
2	9	5D	New Part Number was 2195800	July 9/04
3	5	24	New casters introduced - Mounting method and overall height would be the same as the old casters. The only difference is with the diameter of the new wheel. The old casters wheel diameter is (4") new casters is (3.5") in diameter	Feb 2/05

 **GARLAND**<sup>®</sup>