



## U Series Infra-Red Salamander Broiler

*models*

**UIR36C    UIR36**

**UIR48    UIR60**



# PARTS LIST

### Parts & Service

**T** (USA & Canada): 1 800 427 6668

**F** (USA & Canada): 1 800 361 7745

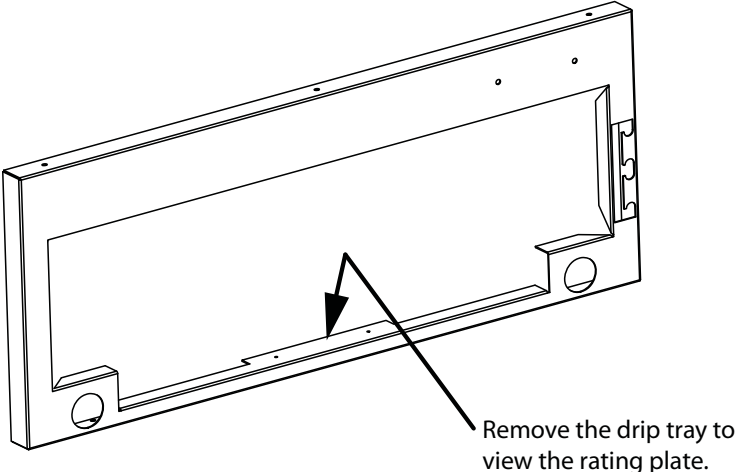
[www.Garland-Group.com](http://www.Garland-Group.com)

Garland Commercial Ranges, Ltd.  
1177 Kamato Road  
Mississauga, Ontario L4W 1X4 Canada  
[www.Garland-Group.com](http://www.Garland-Group.com)



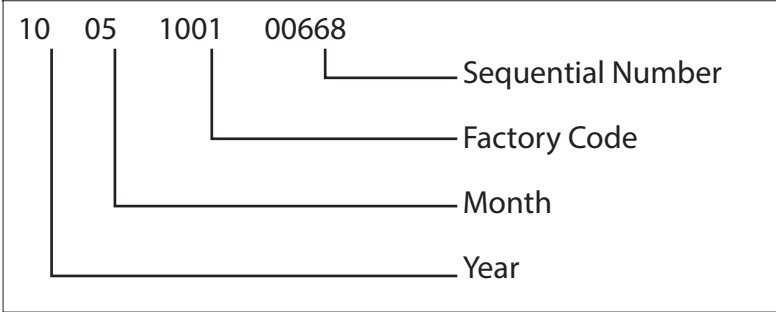
# Rating Plate Location

---



# Serial Number Explained (13-Digits, Year/Month Information)

---



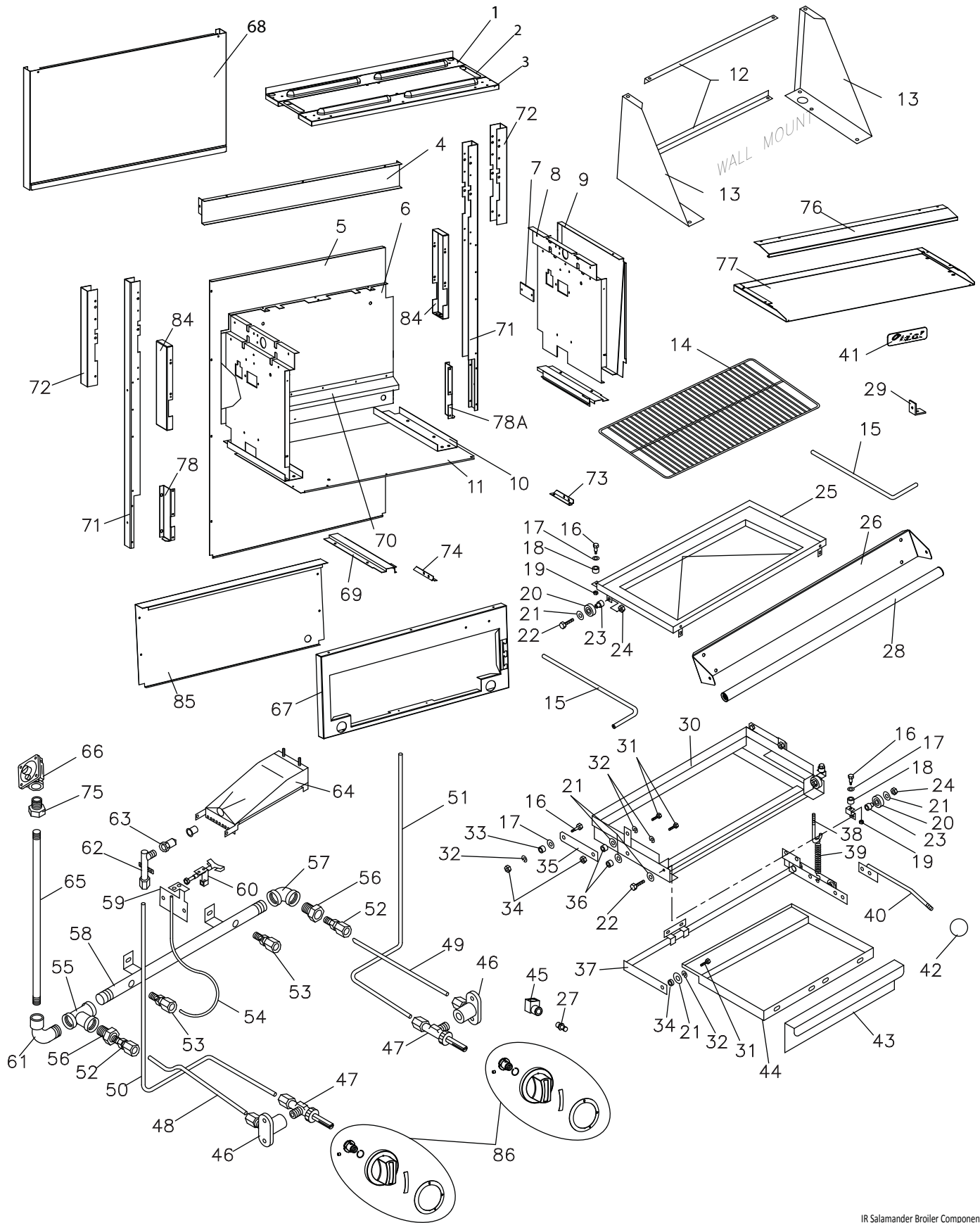


## **U Series Infra-Red Salamander Broiler**

### ***Table of Contents***

Rating Plate Location / Serial Number Explained (Year/Month Information) .....	<b>2</b>
Components.....	<b>4</b>
Optional Inter-Connect Gas Kit .....	<b>7</b>
Rear Panel for 48in Model .....	<b>9</b>
Rear Panel for 60in Model .....	<b>10</b>
Revision History .....	<b>11</b>

This parts list is updated regularly. Please find the most current revision on our website @ [www.Garland-Group.com](http://www.Garland-Group.com)



**US RANGE PARTS IDENTIFICATION  
U Series Infra-Red Salamander Broiler**

ITEM	PART #	DESCRIPTION	QUANTITY				CRITICAL
			36"	36-C	48"	60"	
1	G01377-1-6	Main Top Back	1	1	1	1	
2	G01376-1-6	Main Back Center	1	1	1	1	
3	G01375-1-6	Main Top Front	1	1	1	1	
4	G01391-1-6	Front Brace	1	1	1	1	
5	4523215	Salamander Rear Panel	1			1	
	4523912	Salamander Rear Panel S/S - 36 & 60" Models	1			1	
6	2584000	Flue Back	1	1	1	1	
7	G01372-1-6	Orifice Fitting Cover	2	2	2	2	
8	2584100	Side Liner R/H	1	1	1	1	
	2584101	Side Liner L/H	1	1	1	1	
9	G01392-1-91	Main Side R/H	1	1	1	1	
	G01392-1-92	Main Side L/H	1	1	1	1	
10	G01378-01-61	R/H Bottom Assembly	1	1	1	1	
	G01378-01-62	L/H Bottom Assembly	1	1	1	1	
11	2540800	Bottom Cover (OPTION)		1			
12	G01467-1-5	Angle Bracket (OPTION)		2			
13	2582602	Bracket R/H (OPTION)		1			
	2582603	Bracket L/H (OPTION)		1			
14	1347200	Salamander Rack	1	1	1	1	
15	1387200	Protecting Rod	2	2	2	2	
16	1031301	Broiler Rack Roller Pin	4	4	4	4	
17	1031302	Rack Roller Wire Spacer	4	4	4	4	
18	<b>1035400</b>	<b>Small Roller Bearing</b>	4	4	4	4	
19	F76	1/4" - 20 UNC Nut	4	4	4	4	
20	<b>G01244-1</b>	<b>Large Roller Bearing</b>	4	4	4	4	
21	F256	Lockwasher - 3/8" S/S Split	4	4	4	4	
22	G6424	Glider Bolt Hex 3/8 - 16	4	4	4	4	
23	<b>G01247-3</b>	<b>Rear Bushing</b>	4	4	4	4	
24	F78	3/8"-16 Nut - Hex Black	4	4	4	4	
25	1037286	Rack Frame Weld Assy	1	1	1	1	
26	G01860-3-9	Rack Veneer	1	1	1	1	
27	G02251-1	Pressure Test Spigot	1	1	1	1	
28	4517693	Rack Handle Assembly S/S	1	1	1	1	
29	1341905	Spring Support	1	1	1	1	
30	1342596	Rack Frame Assy	1	1	1	1	
31	F40	1/4" - 20 x 3/4" LG.Hex Bolt	4	4	4	4	
32	F111	1/4" Flat Washer	4	4	4	4	
33	<b>1037810</b>	<b>Rear Bushing</b>	4	4	4	4	
34	F76	1/4" - 20 Nut	4	4	4	4	
35	1342001	Upper Arm	2	2	2	2	
36	<b>1031300</b>	<b>Broiler Rock Roller Bushing</b>	4	4	4	4	
37	<b>1342499</b>	<b>Lever Assy</b>	1	1	1	1	
38	<b>9004701</b>	<b>Oven Door Spring Hook</b>	1	1	1	1	
39	<b>1005803</b>	<b>Spring</b>	1	1	1	1	
40	1342198	Handle Assy Nickel Plated	1	1	1	1	
41	4529726	Logo/ Nameplate Large	1	1	1	1	
42	1039603	Gray Ball Knob	1	1	1	1	
43	2540700	Grease Tray Front	1	1	1	1	
44	2601301	Grease Tray	1	1	1	1	

\* NOT ILLUSTRATED

**RECOMMENDED STOCK PARTS**

**US RANGE PARTS IDENTIFICATION  
U Series Infra-Red Salamander Broiler**

ITEM	PART #	DESCRIPTION	QUANTITY				CRITICAL
			36"	36-C	48"	60"	
45	G01917-1	Elbow - 1/8" NPT Street	1	1	1	1	
46	G01435-1	Elbow Flanged	2	2	2	2	
47	<b>G01410-1</b>	<b>Valve Hi-Lo 1/4" NPT to 7/16 CC</b>	2	2	2	2	C
48	G01471-1-8	7/16 Inlet Tubing - Left	1	1	1	1	
49	G01472-1-8	7/16 Inlet Tubing - Right	1	1	1	1	
50	G01473-1-81	7/16 Steel Tubing x 16.312" R/H - Valve to Orifice	1	1	1	1	
51	G01473-1-82	7/16 Steel Tubing x 16.312" L/H - Valve to Orifice	1	1	1	1	
52	G01243-1	Straight Connector Fitting 1/4" NPT X 7/16CC	2	2	2	2	
53	G6809	Valve Pilot 1/4 Tube	2	2	2	2	
54	G01494-16	1/4 Aluminum Tubing x 19" - Pilot	2	2	2	2	
55	4521448	1/2" NPT Tee	1	1	1	1	
56	G01569-1	Reducer Bushing 1/2" To 1/4" NPT	2	2	2	2	
57	G01474-1	Elbow Reducer 1/2" To 1/4" NPT	1	1	1	1	
58	G01412-01-8	Manifold Assy	1	1	1	1	
59	1815602	Pilot Bracket LH/RH	2	2	2	2	
60	<b>1806601</b>	<b>Natural Gas - IR SAL Pilot Burner</b>	2	2	2	2	C
	<b>1806602</b>	<b>Propane Gas - IR SAL Pilot Burner</b>	2	2	2	2	C
61	4521449	Elbow-Street 1/2" NPT 90 DEG	1	1	1	1	
62	G01411-XX	Orifice Fitting Less Orifice Hood	2	2	2	2	
63	<b>G01411-48</b>	<b>Orifice Fitting C/W #48 Hood (Natural)</b>	2	2	2	2	C
	<b>G01411-55</b>	<b>Orifice Fitting C/W #55 Hood (Propane)</b>	2	2	2	2	C
64	<b>CK117</b>	<b>Burner Assembly</b>	2	2	2	2	
65	G01477-9	Nipple 1/2" NPT x 16" Raw (Top Gas Connection)	1	1	1	1	
66	2127503	Regulator Nat 6.0IN W/C	1	1	1	1	C
	2127500	Regulator LP 10IN W/C	1	1	1	1	C
67	4512853	Main Front S/S	1	1	1	1	
68	4523213	Lower Front Panel	1				
69	G01384-01-61	Valve Housing R/H Assembly	1	1	1	1	
	G01384-01-62	Valve Housing L/H Assembly	1	1	1	1	
70	1819001	Salamander Grease Shield	1	1	1	1	
71	4523228	Salamander Upright Bracket L/H & R/H	2			2	
72	4523229	Upright Side Veneer	2			2	
73	2588601	Strip Filler R/H	1	1	1	1	
74	2588600	Strip Filler L/H	1	1	1	1	
75	G01918-5	Bushing 3/4 to 1/2 NPT Brass	1	1	1	1	
76	2612000	Heat Shield Front S/S (Only Used with Range Mount Models)	1	1	1	1	
77	2612100	Heat Shield Bottom S/S (Only Used with Range Mount Models)	1	1	1	1	
78	4523226	Salamander Support L/H	1	1	1	1	
78A	4523227	Salamander Support R/H	1	1	1	1	
84	G01387-02-9	Support Bracket Assembly		2			
85	G01380-2-8	Main Back AZ		1			
	G01380-2-9	Main Back S/S (OPTION)		1			
86	<b>4527469</b>	<b>GIR/UIR Series Salamander Knob Assembly</b>	2	2	2	2	C

\* NOT ILLUSTRATED

**RECOMMENDED STOCK PARTS**

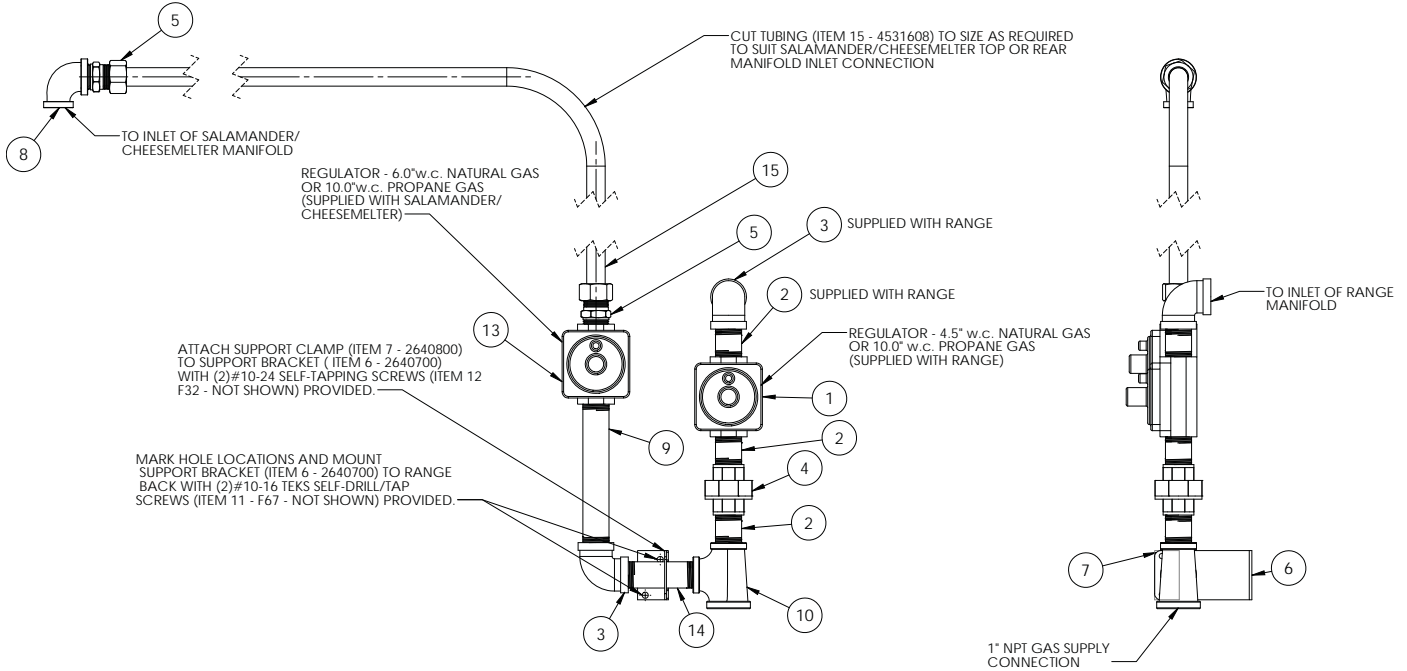
# US RANGE PARTS IDENTIFICATION

## U Series Infra-Red Salamander Broiler

### OPTIONAL INTER-CONNECT GAS KIT FOR 36" RANGE

The gas supply of the range mounted salamanders may be inter-connected with the supply of the range, so both units are supplied from a single gas connection. The supply gas piping should be a minimum of 1" (25mm) diameter to ensure enough gas capacity is available at the specified pressure to supply the total combined input rating of both appliances. The components comprising the optional inter-connect kit are shown below.

#### Optional Interconnect Gas Kit #4531606 - Version 1, Connecting to a 36in Range



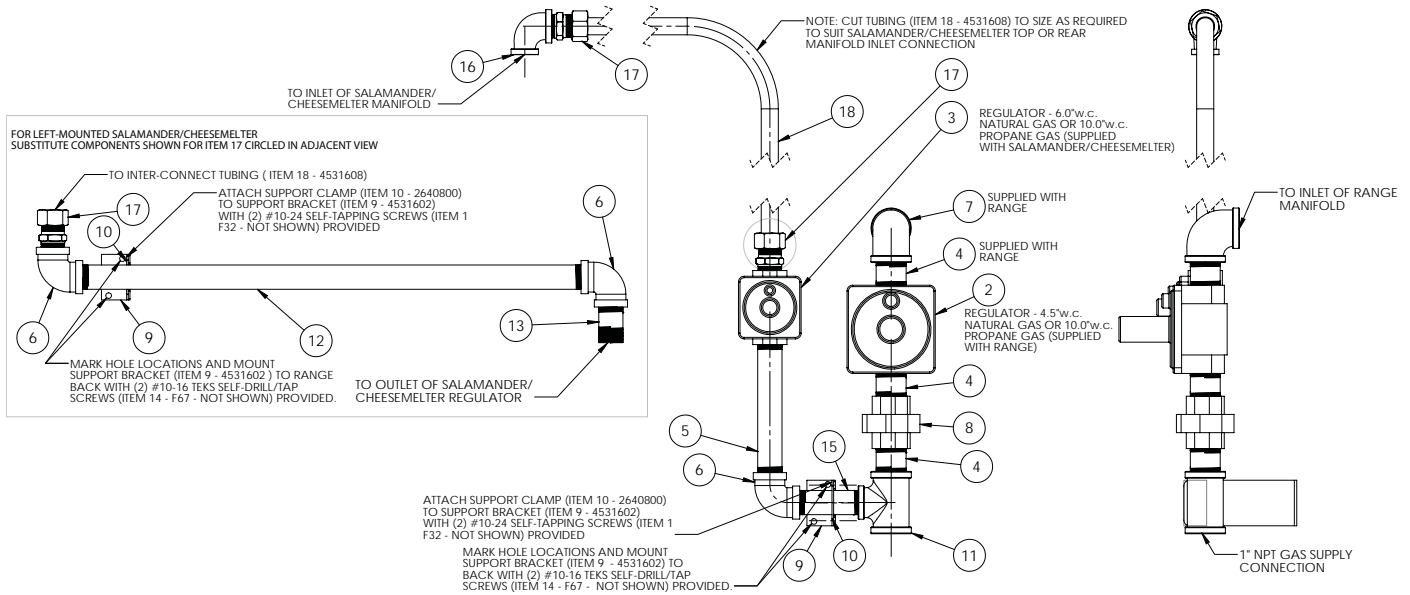
ITEM	PART#	DESCRIPTION	QUANTITY 36"
1	2127502	4.5" W.C 3/4" NPT, Regulator Natural Gas, supplied with Range	1
	4525047	3/4" ISO 7-1, Regulator Natural Gas, supplied with Range	1
	2127500	10" W.C 3/4" NPT, Regulator Propane Gas, supplied with Range	1
	4525048	3/4" ISO 7-1, Regulator Propane Gas, supplied with Range	1
2	G01738-14	Nipple, 3/4" NPT x 1/2" (one supplied with range)	3
3	G01474-5	Elbow, 90deg, 3/4" NPT (one supplied with range)	2
4	G01963-1	Union, 3/4" NPT	2
5	301300	3/4" CC x 3/4" NPT Straight Fitting	2
6	2640700	Bracket, Pipe Support	1
7	2640800	Clamp, Pipe Support Bracket	1
8	G01474-9	Reducing Elbow, 90deg, 3/4" NPT x 1/2" NPT	1
9	G01738-5	Nipple, 3/4" NPT x 6.5"	1
10	G03716-1	Reducing Tee, 3/4" NPT x 3/4" NPT x 1"	1
11	F67	Screw, #10-16 x 1/2" Hex, Washer Head, Tek's Self-Drill/Tap (not shown)	2
12	F32	Screw, #10-24 x 1/2" Pan Head, Self-Tap, Type F (not shown)	2
13	2127503	6" W.C 3/4" NPT, Regulator Natural Gas, supplied with Salamander/Cheesemelter	1
	2127500	10" W.C 3/4" NPT, Regulator Propane Gas, supplied with Salamander/Cheesemelter	1
14	G1738-11	Nipple, 3/4" NPT x 3.5"	1
15	4531608	Tubing 3/4"	1

# US RANGE PARTS IDENTIFICATION

## U Series Infra-Red Salamander Broiler

### OPTIONAL INTER-CONNECT GAS KIT FOR 48"/60" RANGE

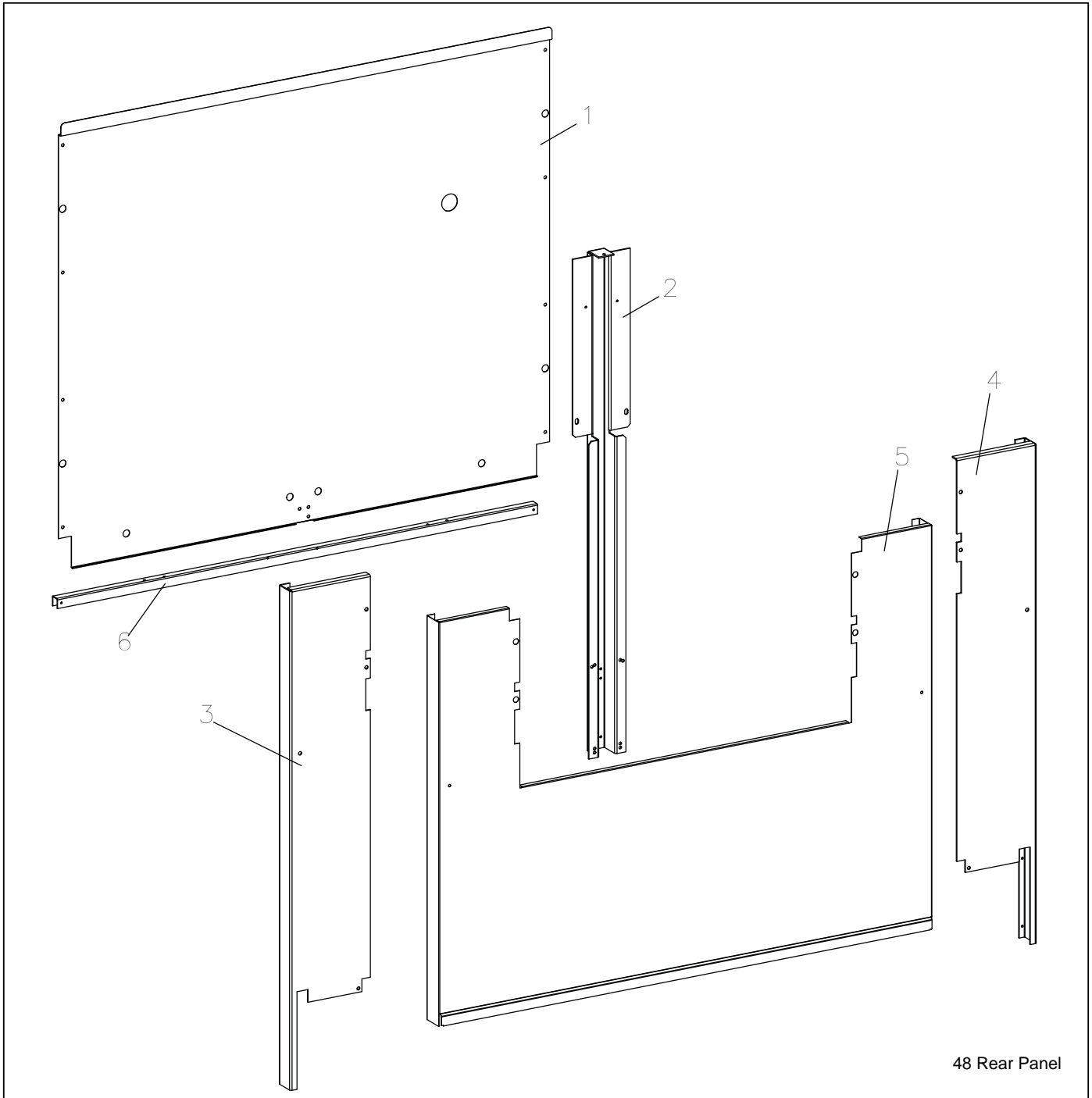
Optional Interconnect Gas Kit #4531606 - Version 2, Connecting to a 48in or 60in Range



ITEM	PART#	DESCRIPTION	QUANTITY 48" / 60"
1	F32	Screw, #10-24 x 1/2" Pan Head, Self-Tap, Type F (not shown)	4
2	4522421	4.5"W.C 1"NPT, Regulator Natural Gas, supplied with Range	1
	4525049	1" ISO 7-1, Regulator Natural Gas, supplied with Range	1
	4522422	10"W.C 1"NPT, Regulator Propane Gas, supplied with Range	1
	4525050	1" ISO 7-1, Regulator Propane Gas, supplied with Range	1
3	2127503	6"W.C 3/4" NPT, Regulator Natural Gas, supplied with Salamander/Cheesemelter	1
	2127500	10"W.C 3/4" NPT, Regulator Propane Gas, supplied with Salamander/Cheesemelter	1
4	076029-204	Nipple, 1" NPT x 2" (one supplied with range)	3
5	G1738-5	Nipple, 3/4" NPT x 6.5"	1
6	G01474-5	Elbow, 90deg, 3/4" NPT	3
7	076029-171	Elbow, 90deg, 1" NPT (supplied with range)	1
8	4530189	Union, 1" NPT	1
9	4531602	Bracket, Pipe Support 48/60	2
10	2640800	Clamp, Pipe Support Bracket	2
11	3012800	Reducing Tee, 1" NPT x 1" NPT x 3/4"	1
12	G01738-16	Nipple, 3/4" NPT x 22.75"	1
13	G01738-14	Nipple, 3/4" NPT x 2"	1
14	F67	Screw, #10-16 x 1/2" Hex, Washer Head, Tek's Self-Drill/Tap (not shown)	4
15	G01738-11	Nipple, 3/4" NPT x 3.5"	1
16	G01474-9	Reducing Elbow, 90deg, 3/4" NPT x 1/2" NPT	1
17	3013000	3/4"CC x 3/4" NPT Straight Fitting	2
18	4531608	Tubing 3/4"	1



**US RANGE PARTS IDENTIFICATION**  
**U Series Infra-Red Salamander Broiler**  
**REAR PANEL FOR 48in MODEL**

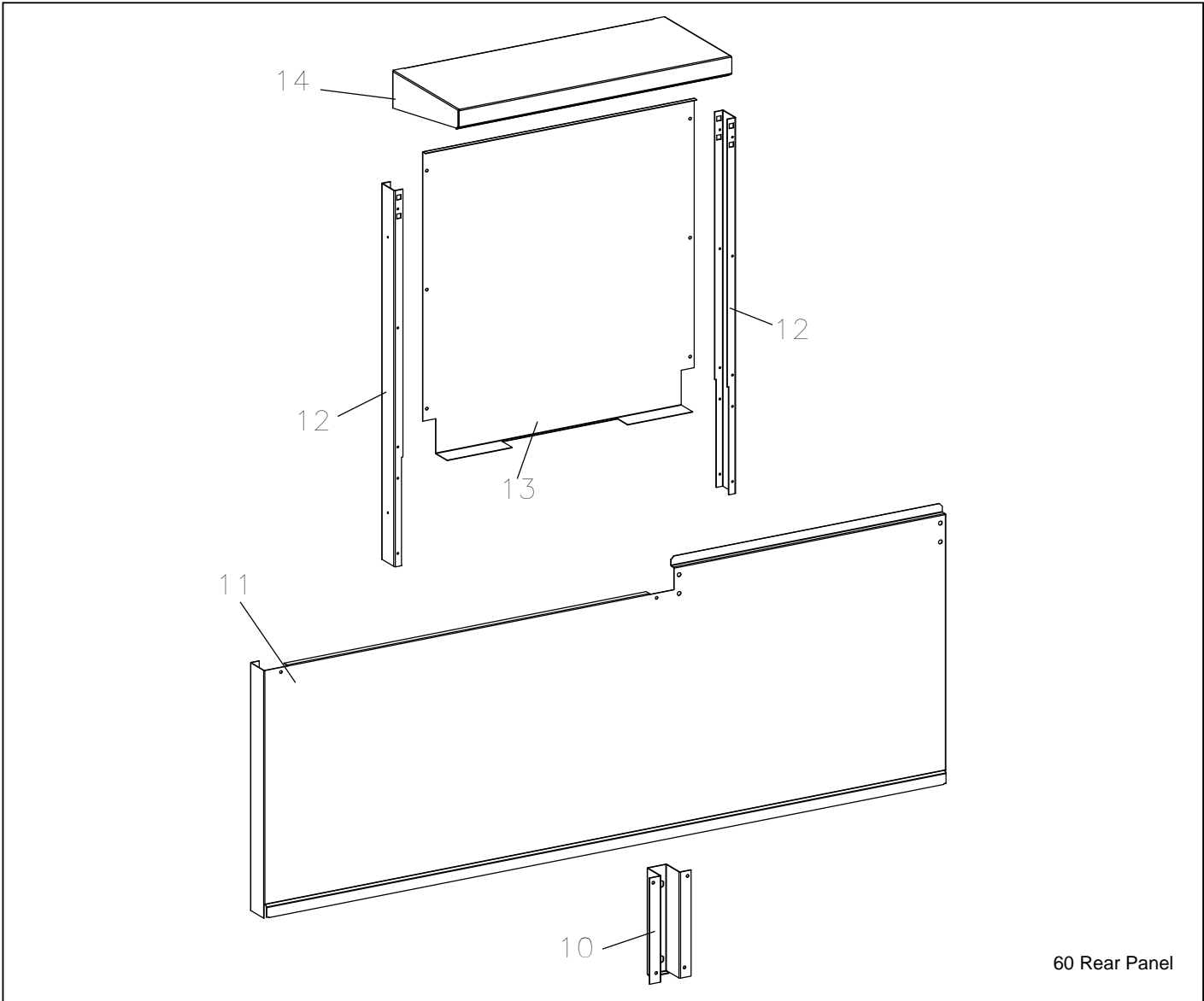


ITEM	PART #	DESCRIPTION	QTY
1	4523896	48" Salamander Rear Panel (Standard)	1
	4523913	48" Salamander Rear Panel S/S (OPTION)	1
2	4524043	48" Salamander Centre Support	1
3	4523898	48" Salamander Upright - Left Hand	1
4	4523897	48" Salamander Upright - Right Hand	1
5	4523899	48" Salamander Front Panel	1
6	4524055	48" Salamander Anti Sway Bracket	1

\* NOT ILLUSTRATED

**RECOMMENDED STOCK PARTS**

**US RANGE PARTS IDENTIFICATION**  
**U Series Infra-Red Salamander Broiler**  
**REAR PANEL FOR 60in MODEL**



ITEM	PART #	DESCRIPTION	QTY
10	4523282	60" Salamander - High Shelf Support	1
11	4523265	60" High-Shelf Front Panel W/Salamander LT	1
	4523900	60" High-Shelf Front Panel W/Salamander RT	1
	4523901	60" High-Shelf Front Panel W/Salamander LT & BG RT	1
12	4523112	Upright - High Shelf	2
13	4523914	24" High Shelf /Salamander Back Standard	1
	4523915	24" High Shelf /Salamander Back S/S (OPTION)	1
14	4523293	24" Shelf	1

\* NOT ILLUSTRATED  
**RECOMMENDED STOCK PARTS**

### REVISION HISTORY (UIR)

<b>REV</b>	<b>BY</b>	<b>PAGE/ITEM</b>	<b>NOTES</b>	<b>DATE</b>
0	CM		New book.	MAY 14/10
1	HH	p.2 pp.7-8 p. 5 #41	Added serial# info, rating plate loc. New gas interconnect kits PCO 06579/07032 New logo plate.	MAY 08/14



## U Series Infra-Red Salamander Broiler UIR — Parts List

---

Garland Commercial Ranges, Ltd.  
1177 Kamato Road  
Mississauga, Ontario L4W 1X4 Canada  
[www.Garland-Group.com](http://www.Garland-Group.com)

Parts & Service  
1 800 427 6668 (Phone, US & Canada)  
1 800 361 7745 (Fax, US & Canada)



U\_GMD\_PL\_IRBROILER\_UIR (Rev 1)